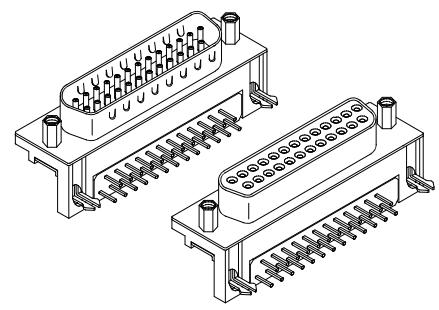
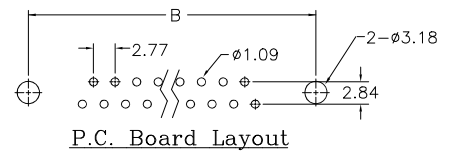
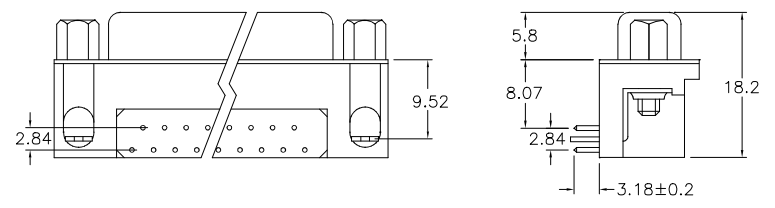
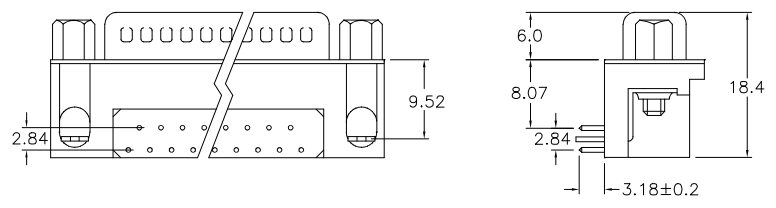
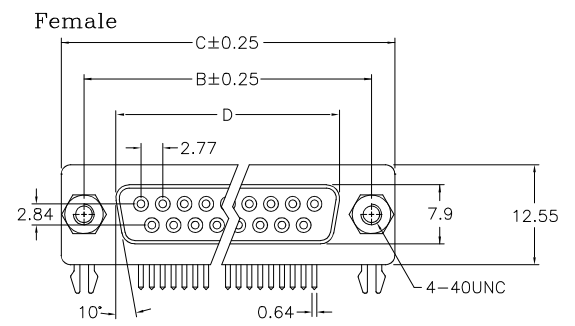
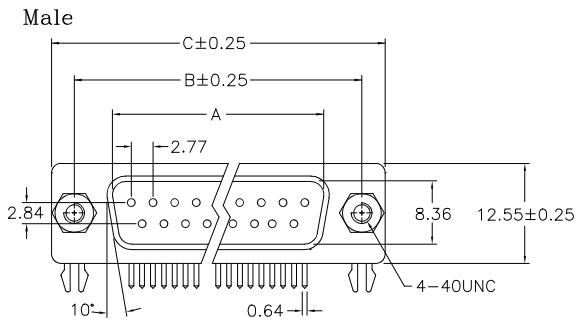


REV.	SPECIFICATION	ECN NO.	APPD.



Material:
Housing: PBT, UL94V-0, Black.
Male Contacts: Brass, Gold Plated on Contact Area and Gold Flash on Solder Tail over Nickel 30u".
Female Contacts: Brass, Gold Plated over Nickel 30u".
Shell: Steel, Nickel Plated.
Electrical Characteristics:
Current Rating: 1 AMP.
Dielectric Withstanding Voltage: AC 1000V.
Insulation Resistance: 1000MΩ min.
Contact Resistance: 30mΩ max.
Operating Temperature: -20°C~+70°C.
***RoHS Compliant**



7926- xx x A A
Series — Position —
M: Male F: Female
A: Tray Package
A: With Grounding Forks and With Jack Screws Attached

Position	Dimension			
	A	B	C	D
9	16.92	24.99	30.81	16.33
15	25.25	33.32	39.14	24.66
25	38.96	47.04	53.04	38.38
37	55.42	63.50	69.32	54.84

Tolerances	Dwg. No.	7926D03002	Title:	7926 Series			
x = ±0.5	Projection		D-SUB Right Angle	 OUPIIN ELECTRONIC(KUNSHAN) CO., LTD. P/N: 7926-xxMAA&7926-xxFAA			
.x = ±0.25	Unit	mm	Scale		1:1		
.xx = ±0.15	Drawn By	Martin	Date		12/07'22		
			Φ512	SHEET	1/1	Ver.No.	A2