

REV.	SPECIFICATION	ECN NO.	APPD.
R6		ECN121104	

Material:

Housing: High Temperature Plastic UL94V-0 .

Contacts: Copper Alloy.

Electrical Characteristics:

Current Rating: 2.0 AMP.

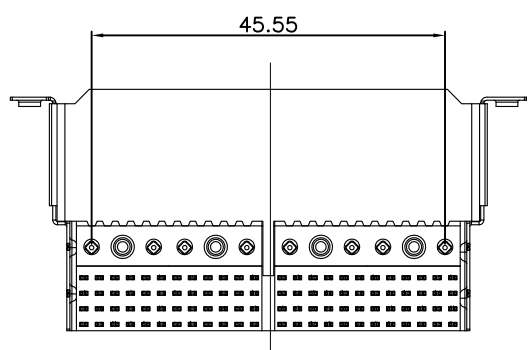
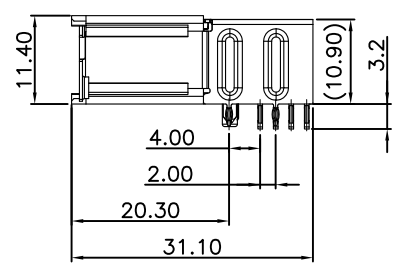
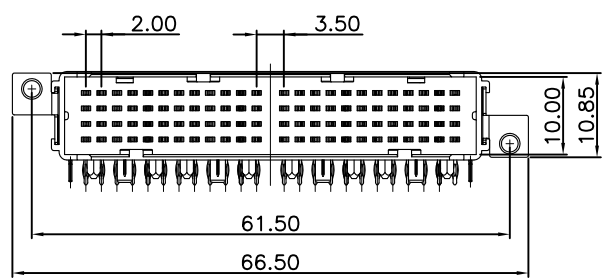
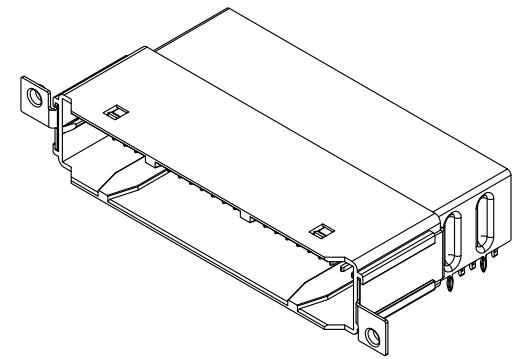
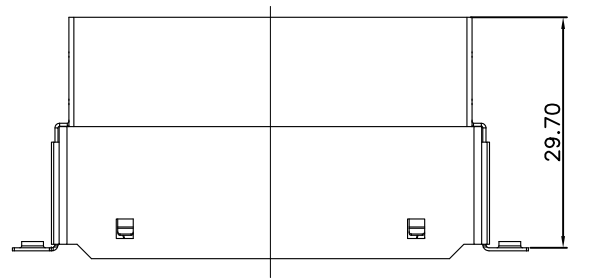
Dielectric Withstanding Voltage: DC 1500V For 1 minute.

Insulator Resistance: 500MΩ min. at DC 500V.

Contact Resistance: 30mΩ max. at DC 20mA.

Operating Temperature: -40°C ~+85°C .

***RoHS Compliant**



9115- 4 1 96 CB 30 P A

Series ————
 4:Row ————
 1: Male ————
 Position ————

P: Press fit Type
 D: DIP Type
 30: 30u"

CB: Dip Tin Contact Au+Pd/Ni Plated
 C: Selective Gold Plated

Tolerances	Dwg. No.	9115-D0000-001	
x = ±0.5	Projection	⊕ ↗	
.x = ±0.25	Unit	mm	Scale 1:1
.xx = ±0.15	Drawn By	Zhu QL 11/14'12	

Title: 9115 Series
 96 position
 Male cable connector

OUPIN			
OUPIN ELECTRONIC(KUNSHAN) CO., LTD.			
P/N: 9115-4196CB30PA			
SHEET	1/2	Ver. No.	R6

