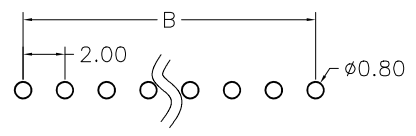
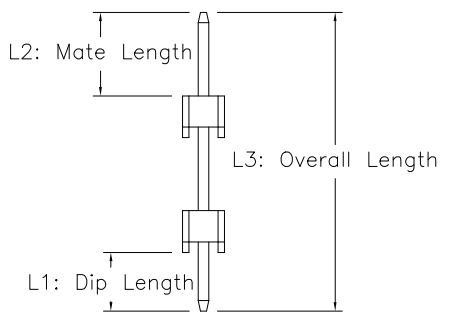
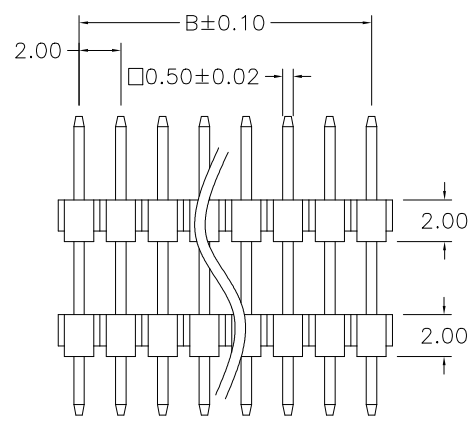
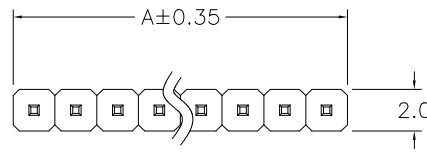
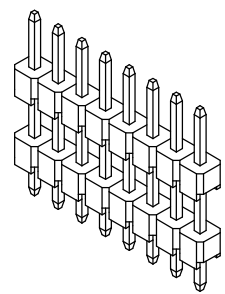


REV.	SPECIFICATION	ECN NO.	APPD.

Material:
Housing: PBT, UL94V-0, Black.
Contacts: Brass, Gold Plated or 80~120u" Tin Plated over Nickel 50u".
Electrical Characteristics:
Current Rating: 3 AMP.
Dielectric Withstanding Voltage: AC 500V.
Insulator Resistance: 1000MΩ min.
Contact Resistance: 20mΩ max.
Operating Temperature: -40°C~+105°C.
***RoHS Compliant**



P.C. Board Layout

2114- 1 X xx G 00 S -L1-L2-L3 B

Series — 2114-
 Single Row — 1
 No. of Pin Per Row — X
 G: Gold Plated
 T: Tin Plated
 00: Gold Flash
 Blank: for Tin Plated
 S: Straight
 L1: Dip Length
 L2: Mate Length
 L3: Overall Length
 B: Bulk Package

ie: 2114-1XxxG00S-2.8-4-14.3B
 2.8mm Dip Length (increment of 0.1mm)
 4.0mm Mate Length (increment of 0.1mm)
 14.3mm Overall Length (increment of 0.1mm)

Dimension					
Positions	A	B	Positions	A	B
02	3.75	2.00	22	43.75	42.00
03	5.75	4.00	23	45.75	44.00
04	7.75	6.00	24	47.75	46.00
05	9.75	8.00	25	49.75	48.00
06	11.75	10.00	26	51.75	50.00
07	13.75	12.00	27	53.75	52.00
08	15.75	14.00	28	55.75	54.00
09	17.75	16.00	29	57.75	56.00
10	19.75	18.00	30	59.75	58.00
11	21.75	20.00	31	61.75	60.00
12	23.75	22.00	32	63.75	62.00
13	25.75	24.00	33	65.75	64.00
14	27.75	26.00	34	67.75	66.00
15	29.75	28.00	35	69.75	68.00
16	31.75	30.00	36	71.75	70.00
17	33.75	32.00	37	73.75	72.00
18	35.75	34.00	38	75.75	74.00
19	37.75	36.00	39	77.75	76.00
20	39.75	38.00	40	80.00	78.00
21	41.75	40.00			

Tolerances .x = ±0.30 .xx = ±0.20	Dwg. No.	2114D01001		Title: 2114 Series Pin Header 2.0mm Single Row Double Insulator Straight Solder Type ① 535	 OUPIN ELECTRONIC(KUNSHAN) CO., LTD. P/N: 2114-1XxxG00S-L1-L2-L3B
	Projection				
	Unit	mm	Scale		
	Drawn By	Martin 05/10'23		SHEET	1/1
				Ver.No.	B1