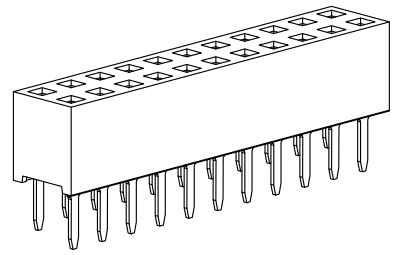
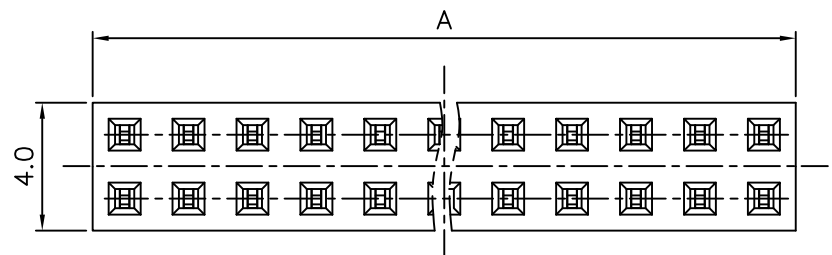


REV.	SPECIFICATION	ECN NO.	APPD.
R3		ECN170535	



**Material and Plating:**

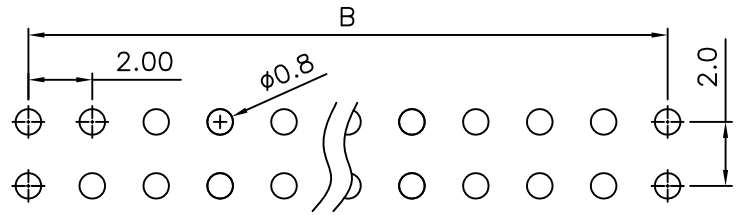
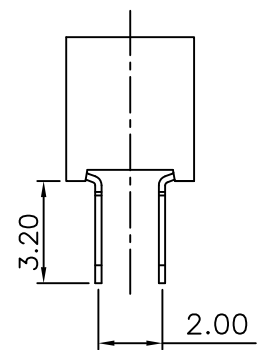
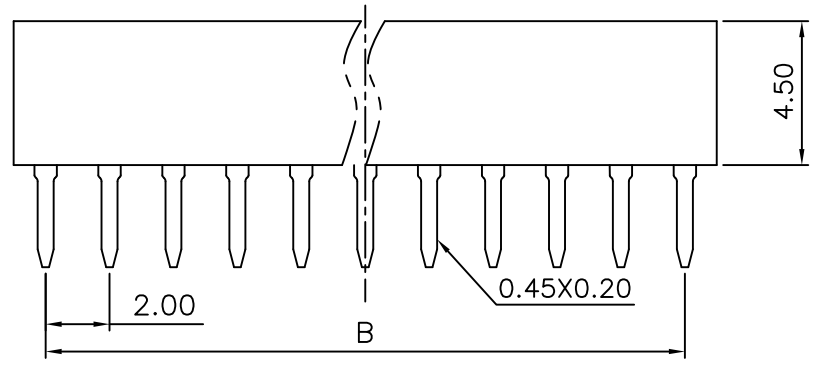
Housing: LCP, UL94V-0, BLACK.  
 Signal Contacts: Phosphor Bronze.  
 Gold Plated on Contact Area and Gold Flash on Solder Tail over Nickel 50u" Min .

**Electrical Characteristics:**

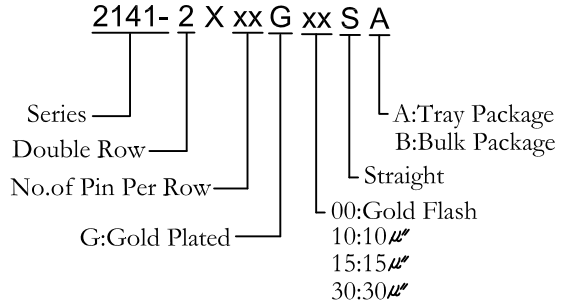
Current Rating: 1 AMP.  
 Dielectric Withstanding Voltage: AC 500V For 1 Minute.  
 Insulator Resistance: 1000MΩ min. at DC 500V.  
 Contact Resistance: 20mΩ max. at DC 100mA.  
 Operating Temperature: -55°C~+105°C .

**\*RoHS Compliant**

Insertion Depth: 2.30mm to 4.15mm.



P.C. Board Layout  
(Tolerance:±0.05)



Position	4 Thru 80
Dimension	
A	2.0 X No. of Positions/2
B	2.0 X No. of Positions/2 -2.0

Tolerances	Dwg. No.	2141-D0000-002
x = ±0.5	Projection	
.x = ±0.25	Unit	mm
.xx = ±0.15	Scale	1:1
	Drawn By	Lan 05/24'17

Title: 2141 Series  
 P.C.B. Socket  
 2.0mmX2.0mm(0.079"X0.079")

**OUPIIN**  
 OUPIIN ELECTRONIC(KUNSHAN) CO., LTD.  
 P/N: 2141-2XxxGxxSA

SHEET	1/1	Ver.No.	R3
-------	-----	---------	----