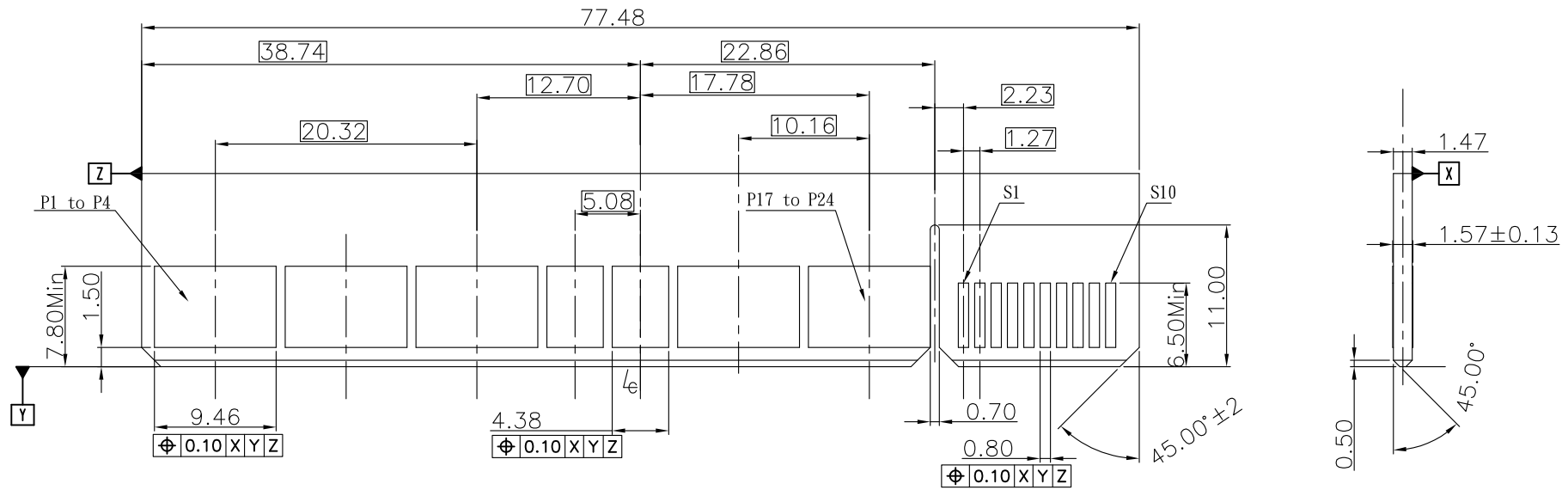

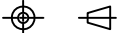




REV.	SPECIFICATION	ECN NO.	APPD.
X1			



RECOMMENDED MATTING BOARD FOOTPRINT  
(Tolerance:±0.05)

Tolerances	Dwg. No.	9302-D0000-030	Title:		 DUPIIN ELECTRONIC(KUNSHAN) CO., LTD. P/N: 9302-2A15S20P11ACB30DA SHEET 2/2 Ver.No. x1
X=±0.50	Projection		9302 SERIES		
.X=±0.25	Unit	mm	Scale	1:1	
.XX=±0.15	Drawn By	CXP 03/09'17	HIGH POWER AND SIGNAL EDGE CARD CONNECTOR		