

REV.	SPECIFICATION	ECN NO.	APPD.

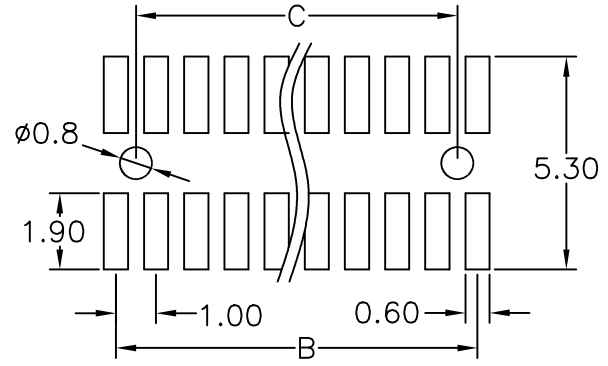
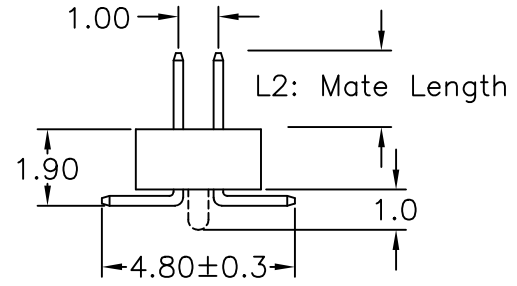
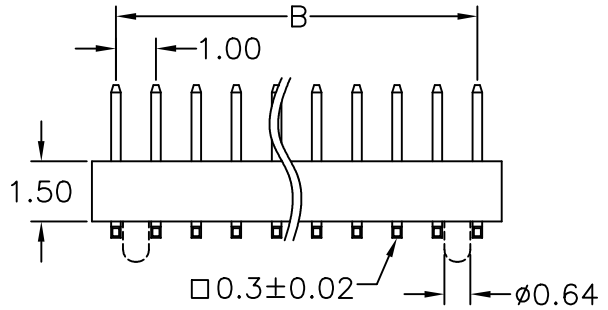
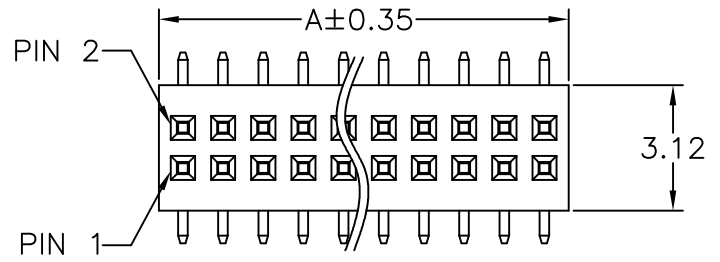
Material:

Housing: PA6T, UL94V-0, Black.
 Contacts: Brass, Gold Plated or 80~120u" Tin Plated over Nickel 50u".

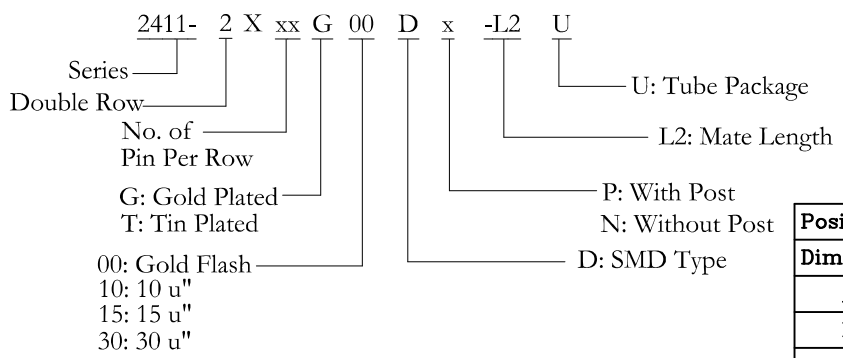
Electrical Characteristics:

Current Rating: 1 AMP.
 Dielectric Withstanding Voltage: AC 500V.
 Insulation Resistance: 1000MΩ min.
 Contact Resistance: 20mΩ max.
 Operating Temperature: -40°C~+105°C.

***RoHS Compliant**



P.C. Board Layout



Position	6 Thru 40
Dimension	6 Thru 40
A	1.0 X No. of Positions /2-0.2
B	1.0 X (No. of Positions /2-1)
C	1.0 X (No. of Positions /2-2)

ie: 2411-2XxxG00Dx-1.9U
 1.9mm Mate Length (increment of 0.10mm)

Tolerances	Dwg. No.	2411D01003	Title:	2411 Series	 OUPIIN ELECTRONIC(KUNSHAN) CO., LTD. P/N: 2411-2XxxG00Dx-1.9U
x = ±0.50	Projection		Pin Header 1.0mmX1.0mm		
.x = ±0.30	Unit	mm	Scale	1:1	
.xx = ±0.25	Drawn By	Jerry 11/06'19	Double Row	S.M.D Type	SHEET
			535		1/1
					Ver.No.
					A5