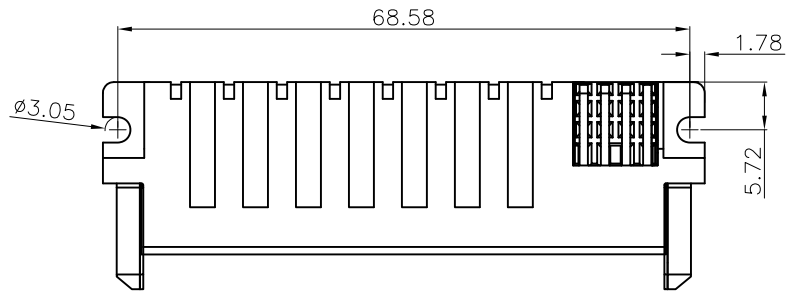


REV.	SPECIFICATION	ECN NO.	APPD.
X1			



**Material:**

**Housing:** High Temperature Plastic UL94V-0.

**Contacts:** Copper Alloy.

**Lock:** Copper Alloy.

**Electrical Characteristics:**

**Current Rating:** Signal Pin: 2.5 AMP .

Power Pin: 65 AMP(2oz x 6).

**Dielectric Withstanding Voltage:**

Signal Pin DC 1000V For 1 minute.

Power Pin DC 2500V For 1 minute.

**Insulator Resistance:** Signal Pin 500mΩ max.

Power Pin 1000mΩ max.

**Contact Resistance:** Signal Pin 20mΩ max.

Power Pin 10mΩ max.

**Operating Temperature:** -20°C ~+85°C .

**\*RoHS Compliant**

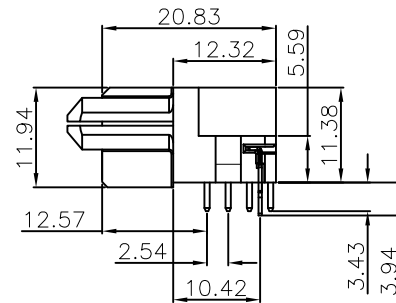
**Notes :**

H: High density Power---PCB Mount 5.08mm Pitch

P: DC Power---PCB Mount 6.35mm Pitch

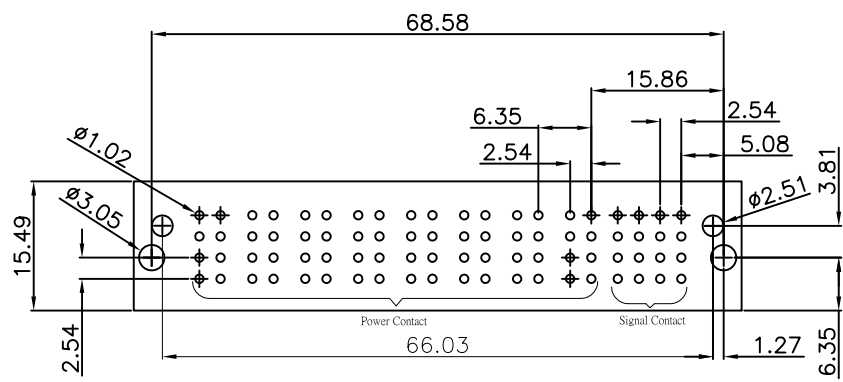
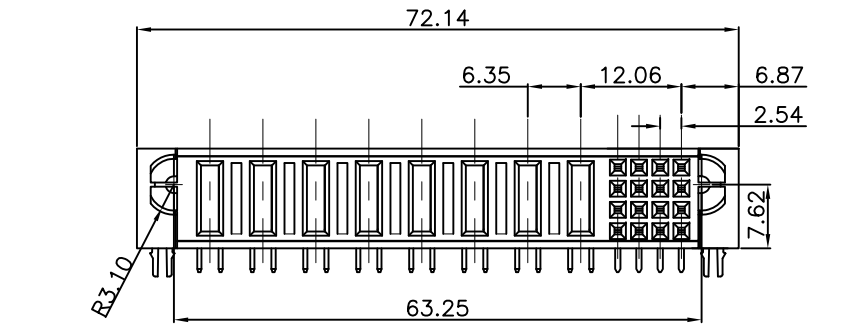
A: AC Power---PCB Mount 7.62mm Pitch

S: Signal---PCB Mount 2.54mm Pitch

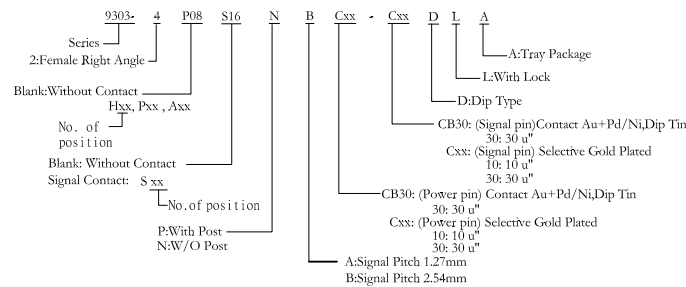


ROWS	POWER								SIGNAL			
	P8	P7	P6	P5	P4	P3	P2	P1	4	3	2	1
D									LLLL			
C									LLLL			
B	FS	FS	FS	FS	FS	FS	FS	FS	LLLL			
A									LLLL			

POWER CONTACT TO THE TOP DISTANCE 2.34mm, THE MATING LENGTH 4.06mm	FM
POWER CONTACT TO THE TOP DISTANCE 1.07mm, THE MATING LENGTH 5.33mm	FS
SIGNAL CONTACT 3.43 SOLDER TAIL, PD/NI	L



P.C.Board Layout  
(Tolerance:±0.05)



Tolerances	Dwg. No.	9303-D0000-015
x = ±0.5	Projection	
.x = ±0.25	Unit	mm
.xx = ±0.15	Scale	1:1
	Drawn By	WP 07/24'15

Title: 9303 Series  
Female Right Angle Dip Type



OUPIN ELECTRONIC(KUNSHAN) CO., LTD.			
P/N: 9303-4P08S16NBCxx-CxxDLA			
SHEET	1/1	Ver. No.	X1