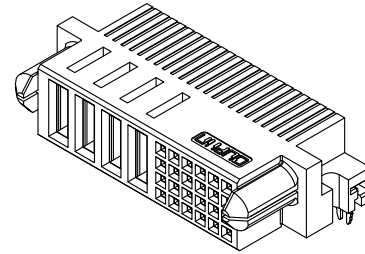


| | | | |
|------|---------------|-----------|-------|
| REV. | SPECIFICATION | ECN NO. | APPD. |
| R5 | | ECN210507 | |



Material and Plating:

Housing: LCP, UL94V-0 , Black.

Power Contacts: High Conductivity Copper.
30u" Au+Pd/Ni on Contact Area and 80u" Min Tin Plated on Solder Tail over nickel 50u" Min .

Signal Contacts : Phosphor Bronze.
30u" Au+Pd/Ni on Contact Area and 80u" Min Tin Plated on Solder Tail over nickel 50u" Min .

Lock: Phosphor Bronze.

Electrical Characteristics:

Current Rating: Signal Pin: 2.5 A.

Power Pin: 65A(2oz x 6).

Dielectric Withstanding Voltage:

Signal Pin DC 1000V For 1 minute.

Power Pin DC 2500V For 1 minute.

Insulator Resistance: Signal Pin 500MΩ max.

Power Pin 1000MΩ max.

Contact Resistance: Signal Pin 20mΩ max.

Power Pin 0.7mΩ max.

Operating Temperature: -40°C ~+125°C .

***RoHS Compliant**

Notes 1 :

H: High density Power---PCB Mount 5.08mm Pitch

P: DC Power---PCB Mount 6.35mm Pitch

A: AC Power---PCB Mount 7.62mm Pitch

S: Signal---PCB Mount 2.54mm Pitch

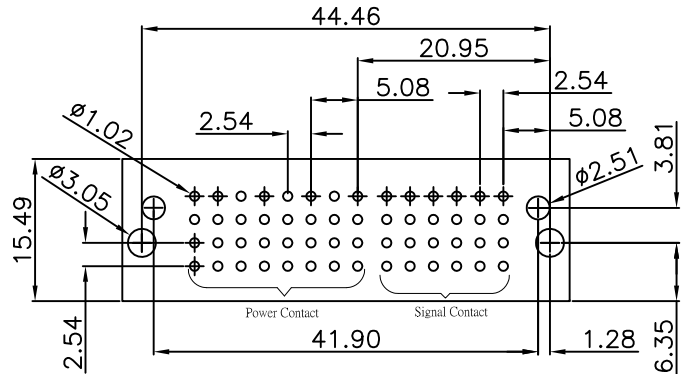
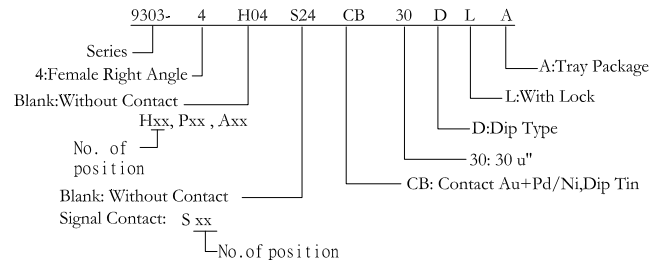
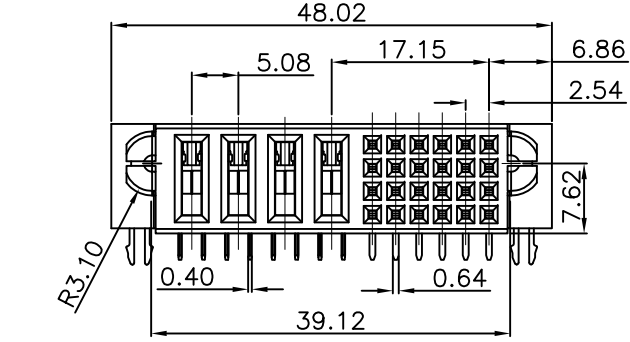
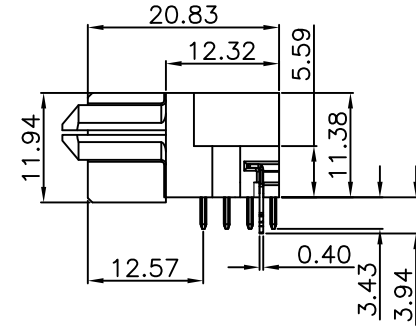
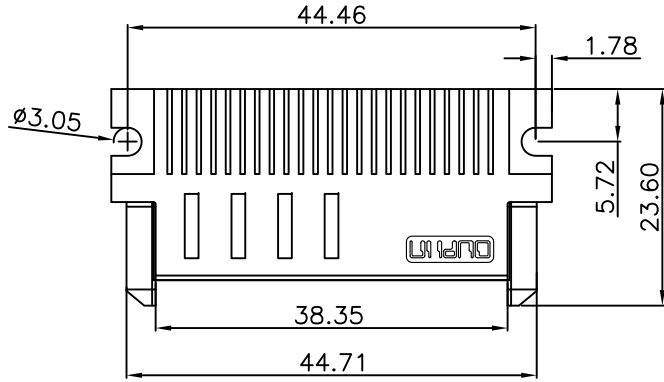
Notes 2 :

Applicable M3 screws add pad.

Tightening Torque: 0.6 N · m Max.

| ROWS | POWER | | | | SIGNAL | | | | | |
|------|-------|----|----|----|--------|---|---|---|---|---|
| | P4 | P3 | P2 | P1 | 6 | 5 | 4 | 3 | 2 | 1 |
| D | | | | | L | L | L | L | L | L |
| C | | | | | L | L | L | L | L | L |
| B | FS | FS | FS | FS | L | L | L | L | L | L |
| A | | | | | L | L | L | L | L | L |

| | |
|---|----|
| POWER CONTACT TO THE TOP DISTANCE 2.34mm, THE MATING LENGTH 4.06mm | FM |
| POWER CONTACT TO THE TOP DISTANCE 1.07mm, THE MATING LENGTH 5.33mm | FS |
| SIGNAL CONTACT 3.43 SOLDER TAIL, PD/NI | L |



P.C.Board Layout
(Tolerance:±0.05)

| | | | | |
|-------------|------------|----------------|-----------------------------|-------------|
| Tolerances | Dwg. No. | 9303-D0000-012 | Title: | 9303 Series |
| x = ±0.5 | Projection | | Female Right Angle Dip Type | |
| .x = ±0.25 | Unit | mm | Scale | 1:1 |
| .xx = ±0.15 | Drawn By | WP 05/10'21 | | |

OUPIN
OUPIN ELECTRONIC(KUNSHAN) CO., LTD.

P/N: 9303-4H04S24CB30DLA

| | | | |
|-------|-----|----------|----|
| SHEET | 1/1 | Ver. No. | R5 |
|-------|-----|----------|----|