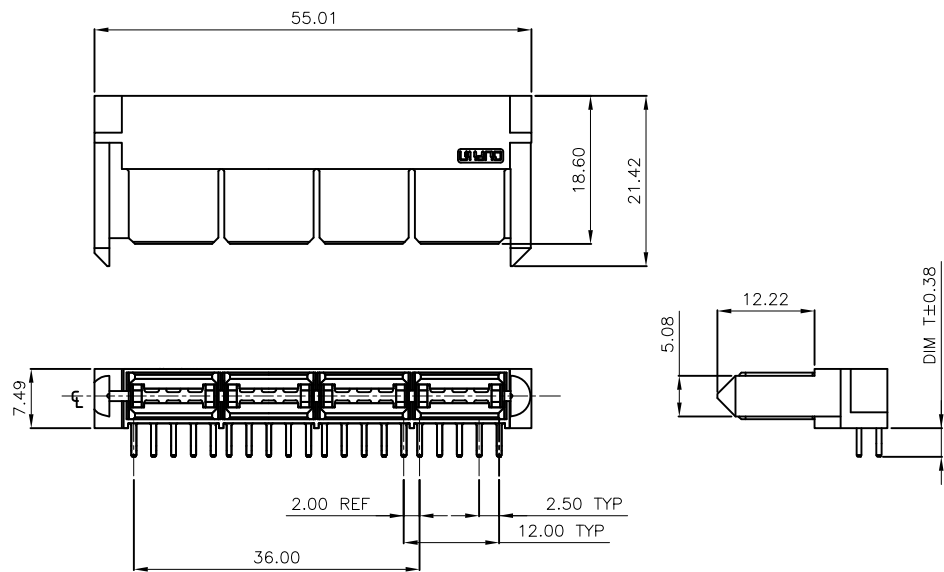


REV.	SPECIFICATION	ECN NO.	APPD.
X3			

Material:
Housing: High Temperature Plastic UL94V-0.
Contacts: Copper Alloy

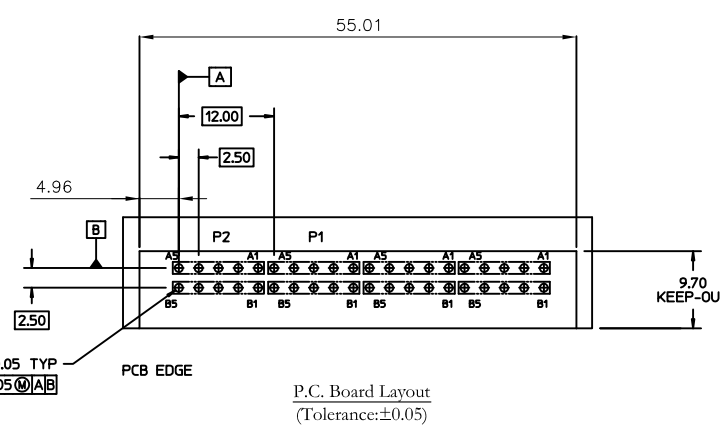
Electrical Characteristics:
Current Rating: Power Pin 30 AMP.
Insulator Resistance: 1500MΩ min. at DC 500V.
Dielectric Withstanding Voltage:
 Power Pin DC 1500V For 1 minute.
Contact Resistance: Power Pin 5mΩ max. at DC 20mA.
Operating Temperature: -40°C ~+105°C .

***RoHS Compliant**


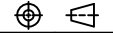


Series 9392- 4 S P08 N X X Cxx D A
 4:Female Right Angle
 S:With Slot
 Blank:W/O Slot
 P08:Power Contact
 N: W/O Post
 P:With Post
 1: None Lead Trough
 2: With Lead Trough
 3: With Left Lead Trough

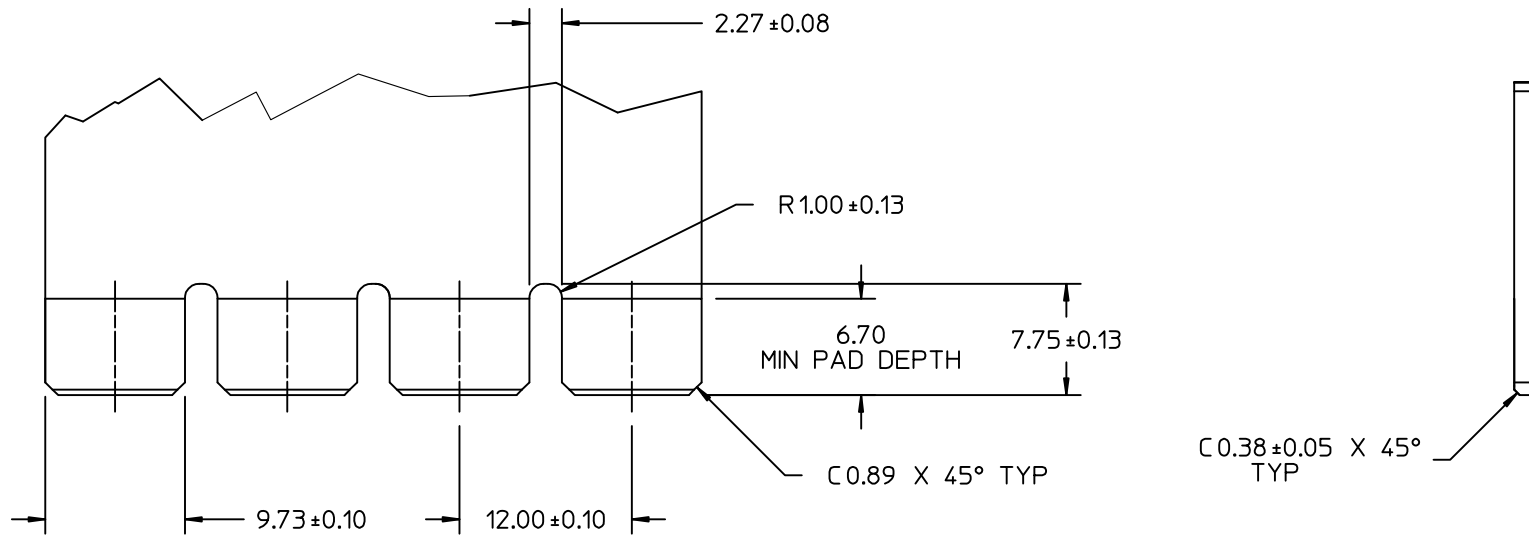
A:Tray Package
 D:Dip Type
 CB30: Dip Tin Plated
 Contact Au+Pd/Ni Plated
 30: 30 u"
 C:Selective Gold Plated
 10: 10 u"
 30: 30 u"
 1: Dim T=2.50mm
 2: Dim T=2.90mm
 3: Dim T=3.60mm
 4: Dim T=4.50mm
 5: Dim T=3.90mm



P.C. Board Layout
 (Tolerance:±0.05)

Tolerances	Dwg. No.	9392-D0000-019	Title:		 OUPIIN ELECTRONIC(KUNSHAN) CO., LTD. P/N:9392-4SP08NxxCxxDA							
x = ±0.5	Projection		9392 Series						SHEET	1/2	Ver. No.	X3
.x = ±0.25	Unit	mm	Scale	1:1								
.xx = ±0.15	Drawn By	LQ 03/24'16	Low Profile Hybrid Power Receptacle									

REV.	SPECIFICATION	ECN NO.	APPD.
X3			



RECOMMENDED CARD EDGE LAYOUT
THICKNESS: 1.57 ± 0.15

Tolerances	Dwg. No.	9392-D0000-019		Title:	
x = ±0.5	Projection			9392 Series Low Profile Hybrid Power Receptacle	
.x = ±0.25	Unit	mm	Scale		1:1
.xx = ±0.15	Drawn By	LQ 03/24'16			

Title:			
9392 Series Low Profile Hybrid Power Receptacle			

OUPIIN ELECTRONIC(KUNSHAN) CO., LTD.			
P/N:9392-4SP08NxxCxxDA			
SHEET	2/2	Ver. No.	X3