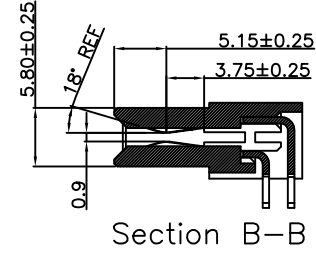
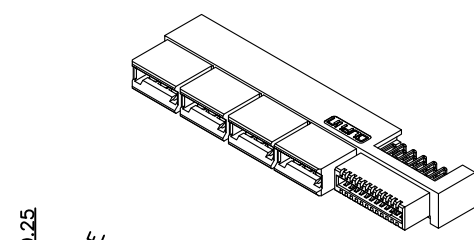
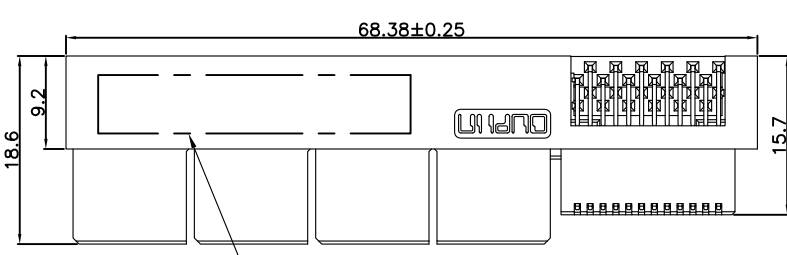


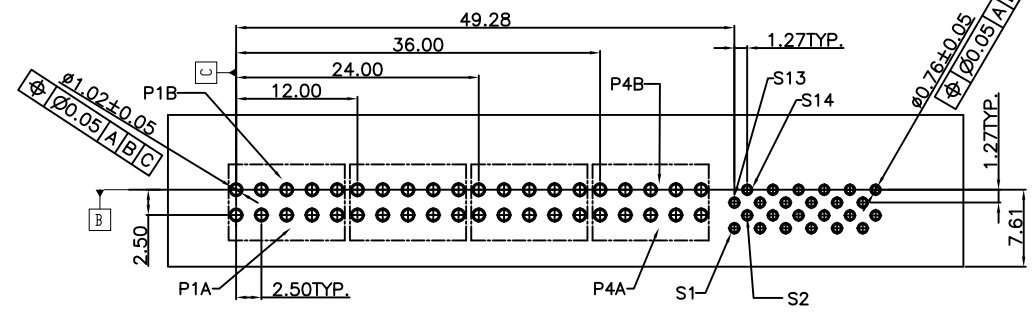
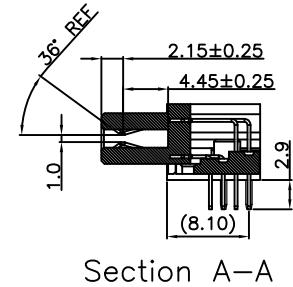
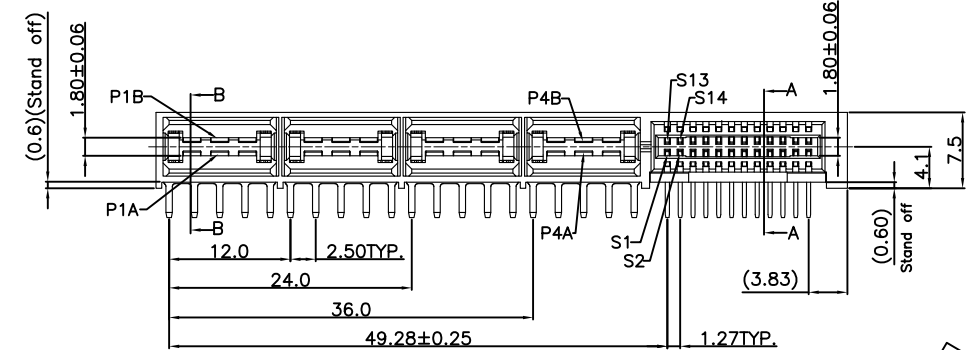
REV.	SPECIFICATION	ECN NO.	APPD.
R10		ECN230636	



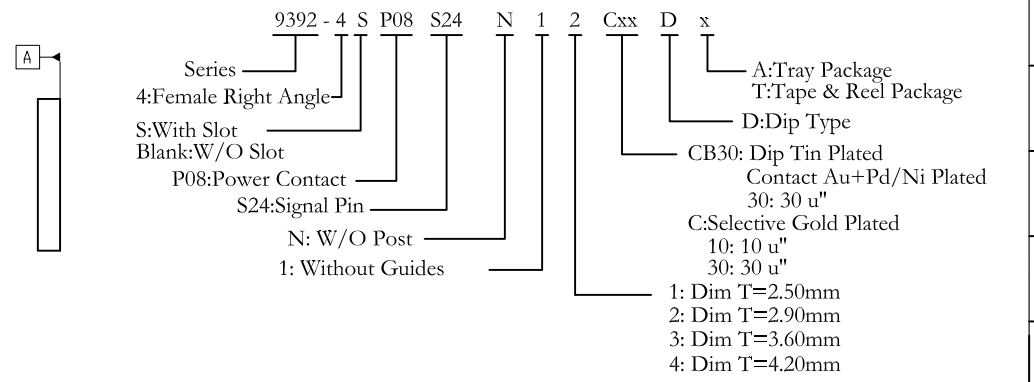
Material and Plating:
Housing: LCP, UL94V-0, Black.
Cover: LCP, UL94V-0, Black.
Power Contacts: High Conductivity Copper.
Au+Pd/Ni or Gold Plated on Contact Area and 80μ" Min Tin Plated on Solder Tail over nickel 50μ" Min .
Signal Contacts : Phosphor Bronze.
Au+Pd/Ni or Gold Plated on Contact Area and 80μ" Min Tin Plated on Solder Tail over nickel 50μ" Min .

Electrical Characteristics:
Current Rating: Signal Pin 1.0 A.
Power Pin 60 A (UL) .
Insulator Resistance: Signal Pin:500MΩ min. at DC 500V.
Power Pin:10000MΩ min. at DC 500V.
Dielectric Withstanding Voltage:
Signal Pin DC 1500V For 1 minute.
Power Pin DC 1500V For 1 minute.
Contact Resistance: Signal Pin 20mΩ max. at DC 20mA.
Power Pin 5mΩ max. at DC 20mA.
Operating Temperature: -40°C ~+105°C .

***RoHS Compliant**

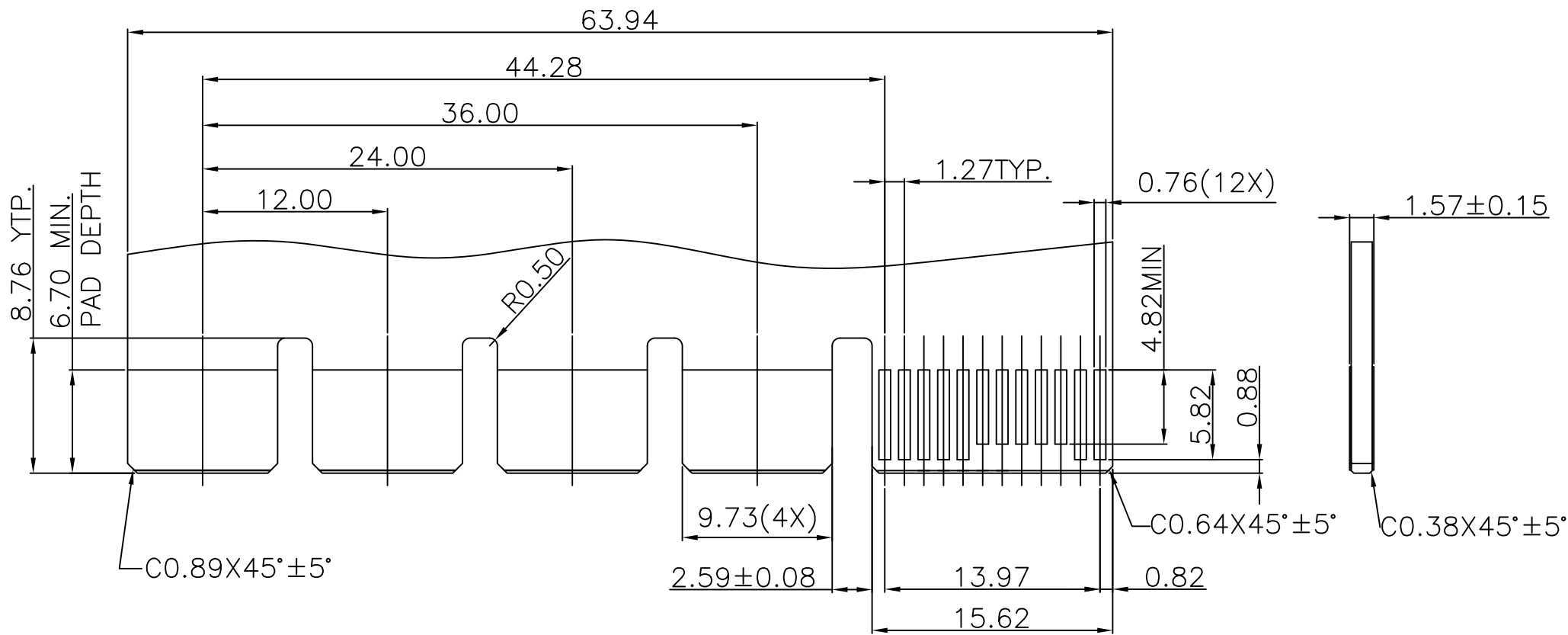


P.C. Board Layout
(Tolerance:±0.05)



Tolerances	Dwg. No.	9392-D0000-037	Title:	9392 Series Low Profile Hybrid Power Receptacle	 OUPIN ELECTRONIC(KUNSHAN) CO., LTD. P/N: 9392-4SP08S24N12CxxDx
x = ±0.5	Projection				
.x = ±0.25	Unit	mm	Scale	1:1	SHEET
.xx = ±0.15	Drawn By	JCQ 06/27'23			1/2
					Ver.No.
					R10

REV.	SPECIFICATION	ECN NO.	APPD.
R10		ECN230636	



Recommended Edge Card Layout
(Tolerance:±0.05)

Tolerances	Dwg. No.	9392-D0000-037		Title:
x = ±0.5	Projection			9392 Series Low Profile Hybrid Power Receptacle
.x = ±0.25	Unit	mm	Scale 1:1	
.xx = ±0.15	Drawn By	JCQ	06/27'23	

Title:			
9392 Series Low Profile Hybrid Power Receptacle			

OUPIIN ELECTRONIC(KUNSHAN) CO., LTD.			
P/N:9392-4SP08S24N12CxxDx			
SHEET	2/2	Ver.No.	R10