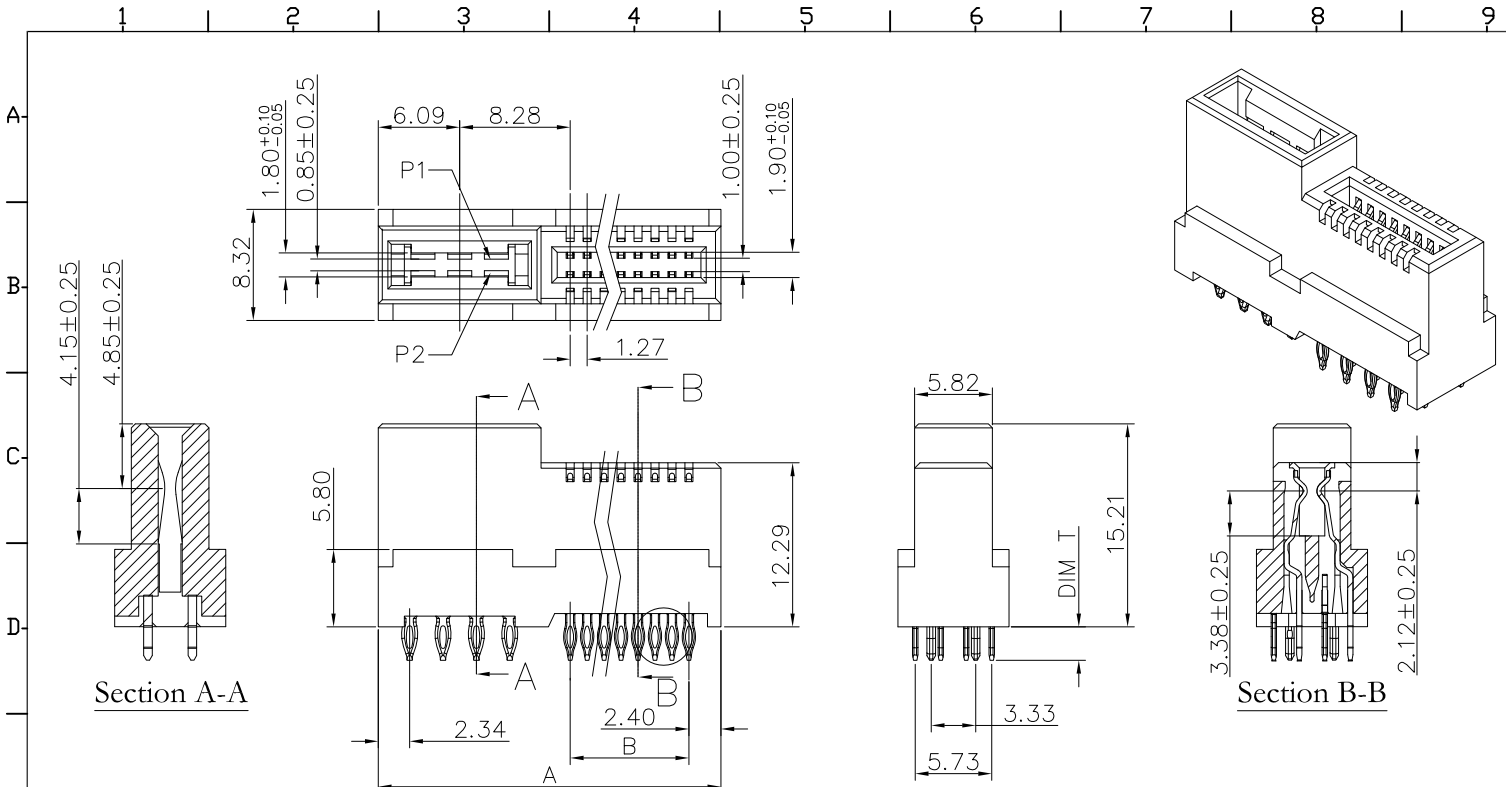


REV.	SPECIFICATION	ECN NO.	APPD.
R11		ECN231005	



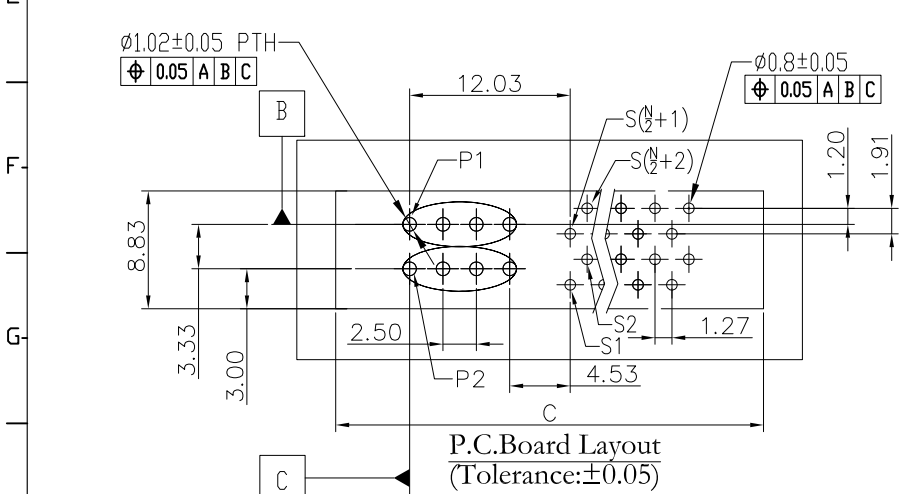
**Material and Plating:**  
Housing: LCP, BLACK, UL94V-0.  
Power Contacts: High Conductivity Copper.  
Au+Pd/Ni or Gold Plated on Contact Area and 80u" Min Tin Plated on solder tail or Press Fit over Nickel 50u".  
Signal Contacts: Brass.  
Au+Pd/Ni or Gold Plated on Contact Area and 80u" Min Tin Plated on solder tail or Press Fit over Nickel 50u".

**Electrical Characteristics:**  
Current Rating: Signal Pin 1.0 AMP.  
Power Pin 30 AMP.  
Insulator Resistance: 50000MΩ min. at DC 500V.  
Dielectric Withstanding Voltage:  
Signal Pin DC 1500V For 1 minute.  
Power Pin DC 1500V For 1 minute.  
Contact Resistance: Signal Pin 20mΩ max. at DC 20mA.  
Power Pin 20mΩ max. at DC 20mA.  
Operating Temperature: -40°C ~+105°C.

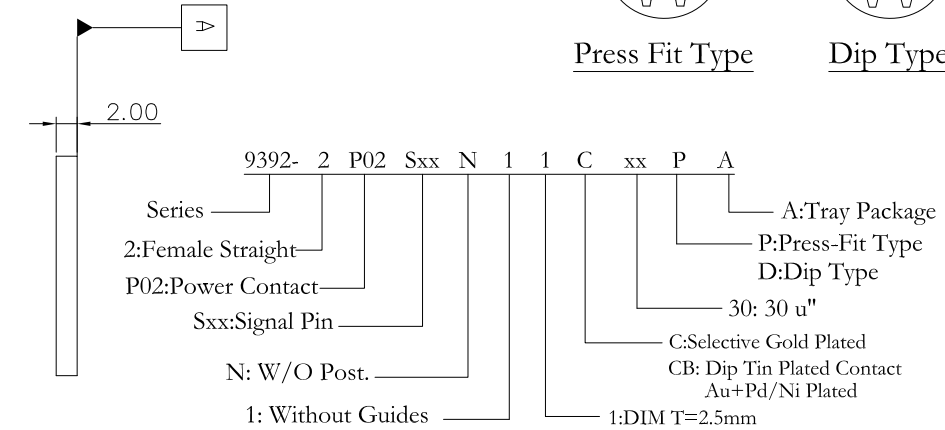
**\*RoHS Compliant**  
Note: Mate with Edge Card Thickness 1.57mm.



Press Fit Type      Dip Type



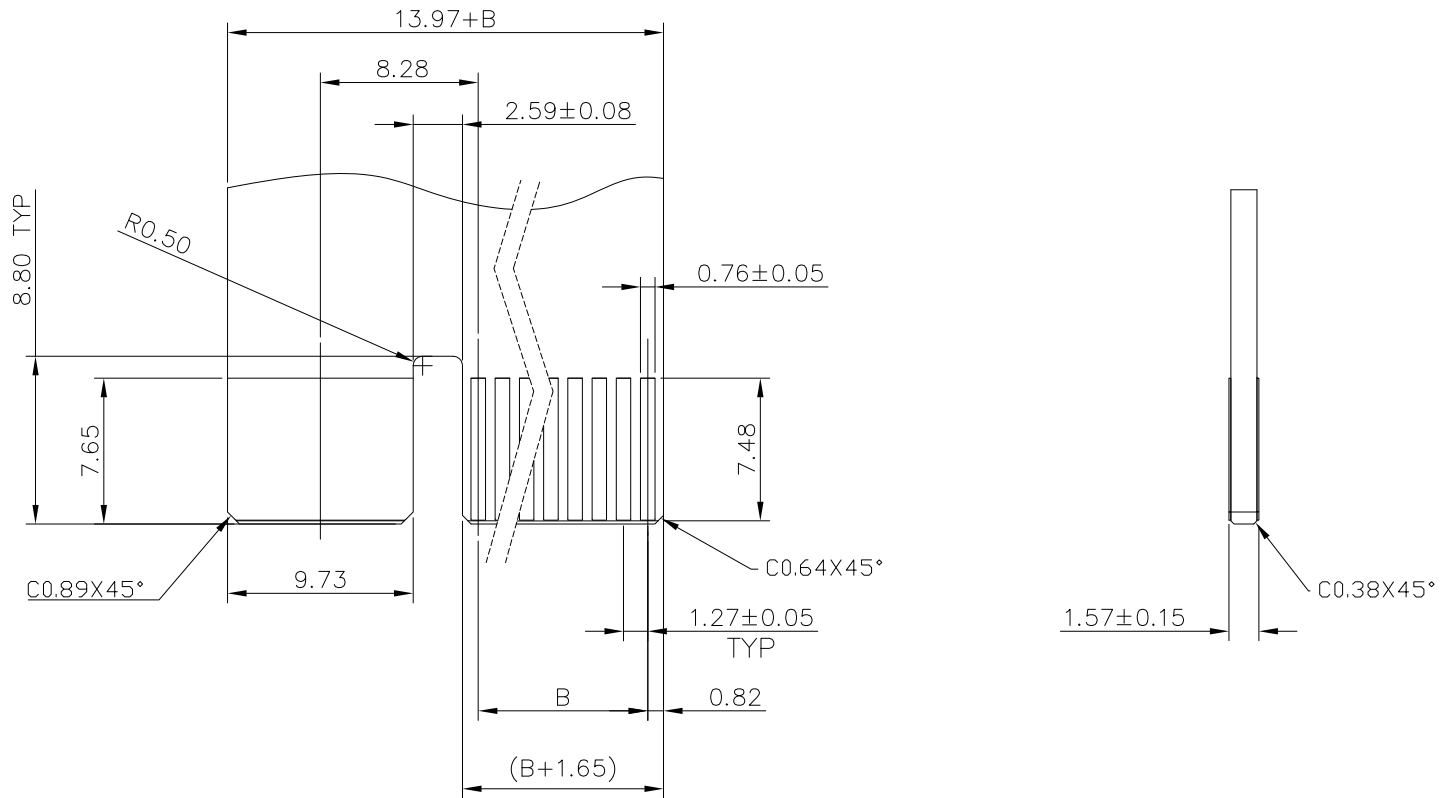
P.C.Board Layout  
(Tolerance:±0.05)



Available Pos.	**Available Position Dimension		
	A	B	C
P02S12	23.12	6.35	29.51
* P02S16	25.66	8.89	32.05
P02S20	28.20	11.43	34.59
P02S24	30.74	13.97	37.13
P02S28	33.28	16.51	39.67
P02S32	35.82	19.05	42.21
P02S36	38.36	21.59	44.75
P02S40	40.90	24.13	47.29

Tolerances	Dwg. No.	9392-D0000-027	Title:		9392 Series Low Profile Hybrid Power Receptacle			
x = ±0.5	Projection		 <b>OUPIIN ELECTRONIC(KUNSHAN) CO., LTD.</b> P/N: 9392-2P02SxxN11CxxPA					
.x = ±0.25	Unit	mm					Scale	1:1
.xx = ±0.15	Drawn By	GYJ					10/14'23	⑧(T)
SHEET		1/2	Ver. No.	R11				

REV.	SPECIFICATION	ECN NO.	APPD.
R11		ECN231005	



Recommended Edge Card Layout  
(Tolerance: ±0.05)

Tolerances	Dwg. No.	9392-D0000-027	
x = ±0.5	Projection		
.x = ±0.25	Unit	mm	Scale 1:1
.xx = ±0.15	Drawn By	GYJ 10/14'23	

Title:	9392 Series Low Profile Hybrid Power Receptacle
Symbol	(T)

OUPIIN ELECTRONIC(KUNSHAN) CO., LTD.			
P/N: 9392-2P02SxxN11CxxPA			
SHEET	2/2	Ver. No.	R11