

REV.	SPECIFICATION	ECN NO.	APPD.
R3		ECN230928	

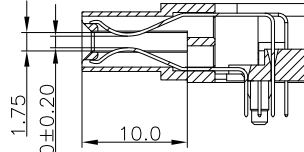
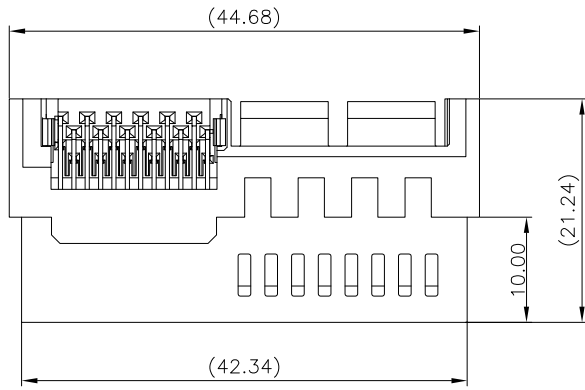
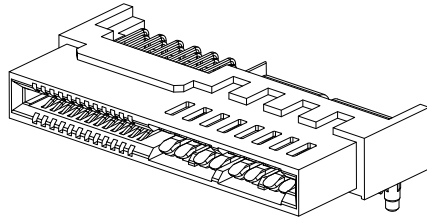
Material and Plating:

Housing: LCP, UL94V-0, Black.
Power Contacts: High Conductivity Copper .
 30u"Au+Pd/Ni on Contact Area and 80u" Min Tin
 Plated on Solder Tail over nickel 50u" Min under plated .
Signal Contacts: Phosphor Bronze .
 30u"Au+Pd/Ni on Contact Area and 80u" Min Tin
 Plated on Solder Tail over nickel 50u" Min under plated .

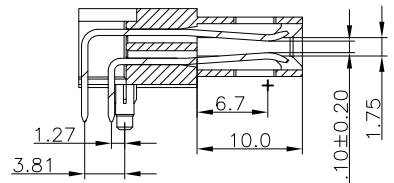
Electrical Characteristics:

Current Rating: Signal Pin 1.5A.
 Power Pin 12.5A(UL).
Dielectric Withstanding Voltage:
 Signal Pin DC 500V For 1 Minute.
 Power Pin DC 1000V For 1 Minute.
Contact Resistance: Signal Pin 25mΩ max.
 Power Pin 0.6mΩ max.
Insulator Resistance:Signal Pin 500MΩ min.at DC 500V
 Power Pin 5000MΩ min.at DC 500V
Operating Temperature: -55°C~+105°C.

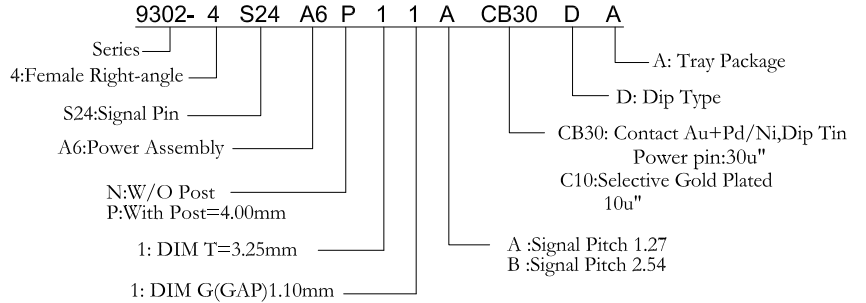
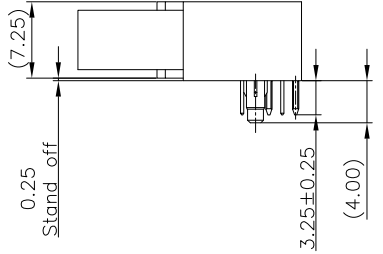
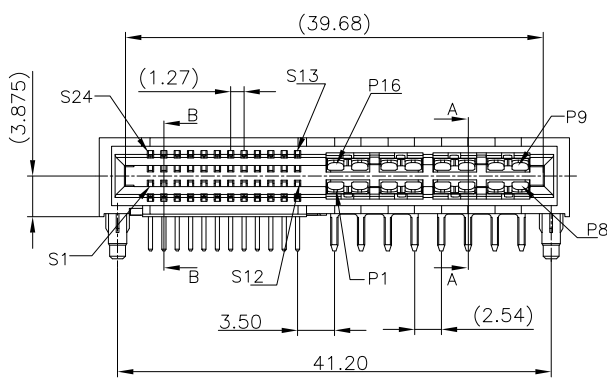
***Rohs Compliant**



Section B-B



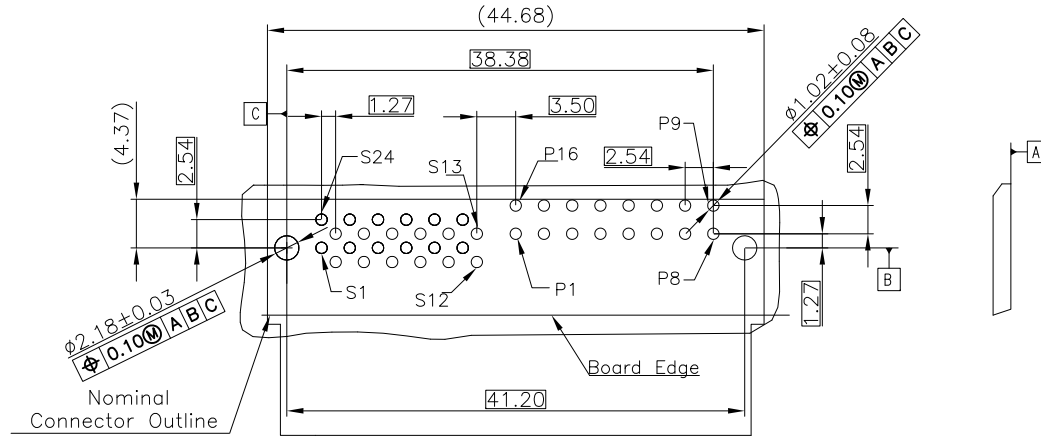
Section A-A



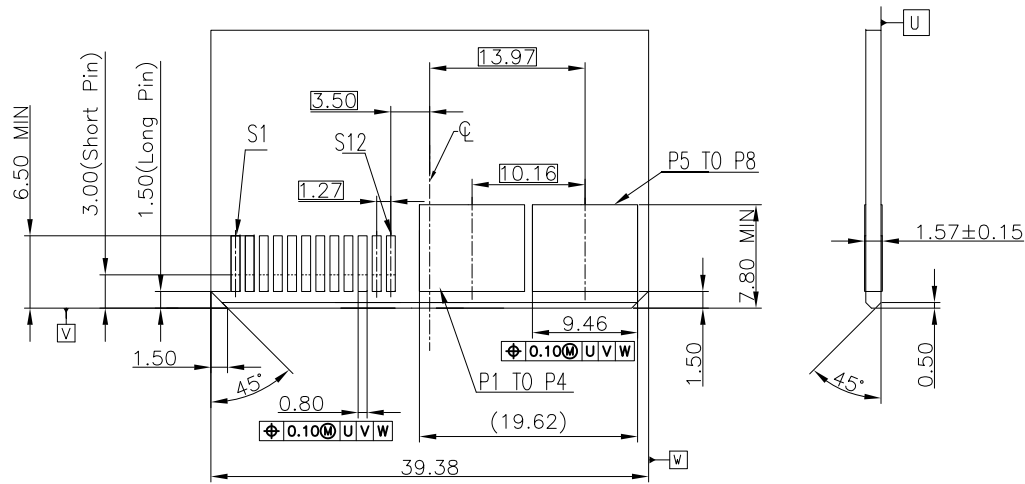
Tolerances	Dwg No.	9302-D0000-014	Title:
X=0.5	Projection		9302 Series
.X=0.25	Unit	mm	High Power And Signal
.XX=0.15	Scale	1:1	Edge Card Connector
	Drawn By	GYJ 09/19'23	

OUPIN			
OUPIN ELECTRONIC(KUNSHAN) CO., LTD.			
P/N: 9302-4S24A6P11ACB30DA			
SHEET	1/2	Ver.No.	R3

REV.	SPECIFICATION	ECN NO.	APPD.
R3		ECN230928	



P.C. Board Layout
(Tolerance: ±0.05)



Recommended Mating Board Foot Print
(Tolerance: ±0.05)

Tolerances	Dwg No.	9302-D0000-014		Title:	
X=0.5	Projection			9302 Series High Power And Signal Edge Card Connector	
.X=0.25	Unit	mm	Scale		1:1
.XX=0.15	Drawn By	GYJ 09/19'23			

OUPIN			
OUPIN ELECTRONIC(KUNSHAN) CO., LTD.			
P/N: 9302-4S24A6P11ACB30DA			
SHEET	2/2	Ver.No.	R3