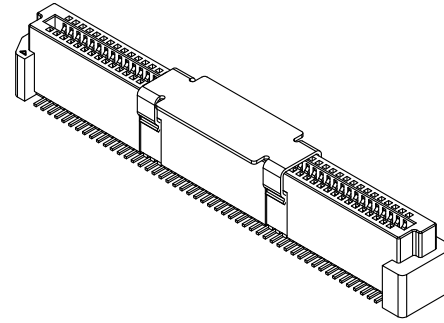
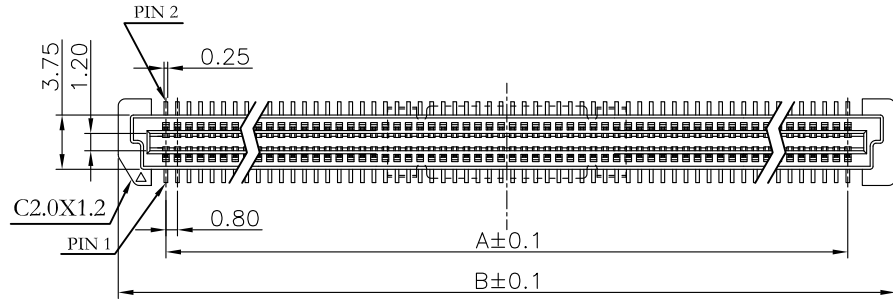


REV.	SPECIFICATION	ECN NO.	APPD.
R14		ECN230710	



Material and Plating:

Housing: LCP , UL94V-0 , Natural Color .

Signal Contacts : Phosphor Bronze .

Gold Plated on contact Area and 80u" min Tin or Gold Flash plated on solder tail over 50u" min Nickel

Electrical Characteristics:

Current Rating: 0.5 AMP.

Dielectric Withstanding Voltage: AC 500V For 1 minute.

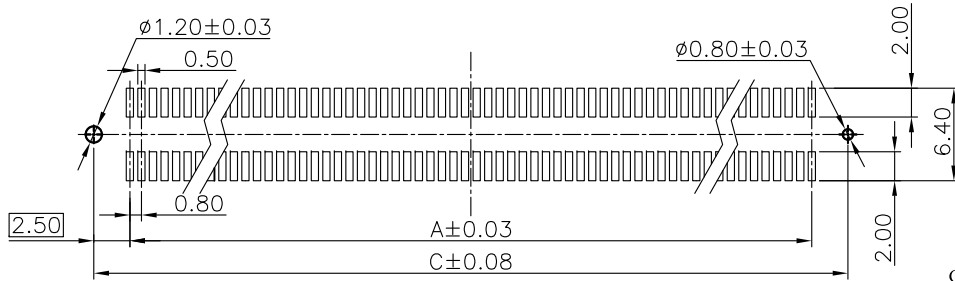
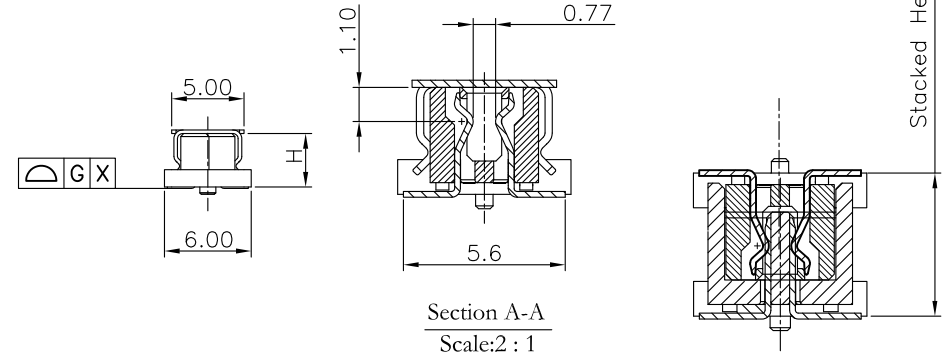
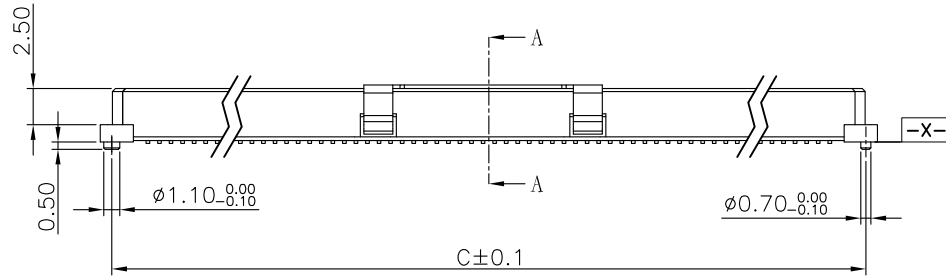
Insulator Resistance: 500MΩ min. at DC 250V.

Contact Resistance: 30mΩ max. at DC 100mA.

Operating Temperature: -45°C~+125°C.

***RoHS Compliant**

Stacked Height



P.C. Board Layout
(Tolerance:±0.05)

Series **2382-xx C xx D P x T - M**
 Position
 G: Gold Plated
 C: Selective Gold Plated
 00: G/F
 10: 10 μ"
 30: 30 μ"
 M: Metal Cap
 T: Tape & Reel Package
 Code 1~2
 P: With Post
 N: Without Post
 D: SMD Type

"*" Available Position							
Code	H1	H2	Pos.	Dimension		G(Max)	
				A	B		
*	*	*	60	23.20	29.80		0.13
*	*	*	80	31.20	37.80		
*	*	*	100	39.20	45.80		
*	*	*	120	47.20	53.80		
*	*	*	140	55.20	61.80	0.15	

Code	1				2			
Height(H)	3.70				7.70			
Height(Y)	5.0	6.0	7.0	8.0	9.0	10.0	11.0	12.0

Tolerances	Dwg.No.	2382-D0000-001	
x = ±0.5	Projection	⊕ ⊖	
.x = ±0.25	Unit	mm	Scale 1:1
.xx = ±0.15	Drawn By	CCH7/10/23	

Title: 2382 Series
Board to Board 0.8mm
Female Type

OUPIN			
OUPIN ELECTRONIC(KUNSHAN) CO., LTD.			
P/N: 2382-xxCxxDPxT-M			
SHEET	1/1	Ver.No.	R14