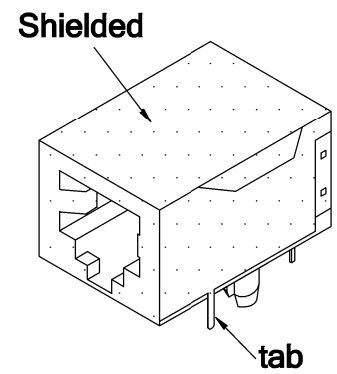
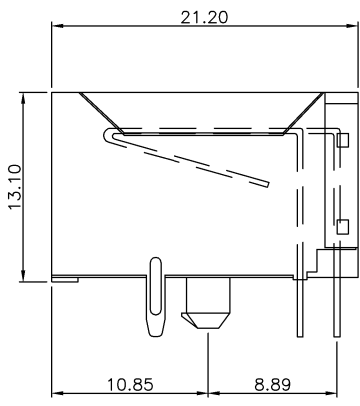
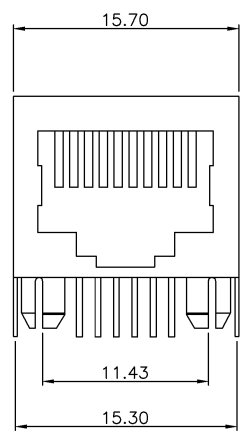
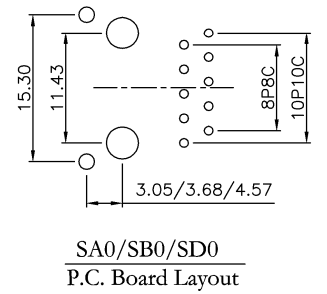
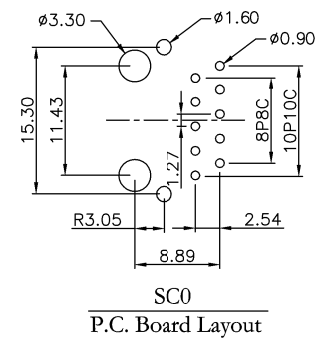
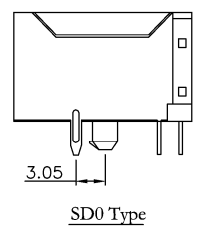
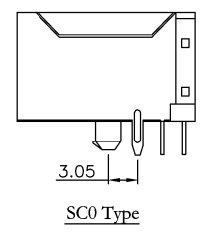
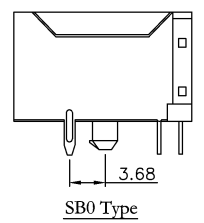
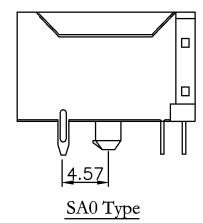
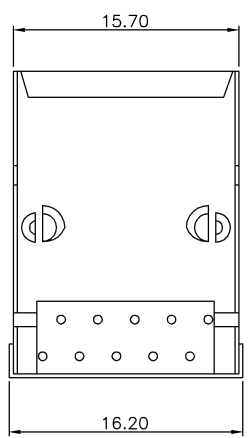


REV.	SPECIFICATION	ECN NO.	APPD.



**Material:**  
**Housing:** PBT, UL94V-0, Black.  
**Contacts:** Phosphor Bronze, Gold Plated on Contact Area and Tin Plated on Solder Tail over Nickel.  
**Shield:** Brass, Nickel Plated.  
**Electrical Characteristics:**  
**Current Rating:** 1.5 AMP.  
**Dielectric Withstanding Voltage:** AC 1000V.  
**Insulator Resistance:** 500MΩ min.  
**Contact Resistance:** 30m Ωmax.  
**Operating Temperature:** -40°C~+85°C.  
**\*RoHS Compliant**



<b>8949-D</b>	<b>10</b>	<b>10</b>	<b>-06</b>	<b>SB0</b>	<b>B</b>	<b>A</b>
Series	10: 10 Position 8: 8 Position	10: 10 Contacts 8: 8 Contacts	06: 6u"Gold Plated 15: 15u"Gold Plated 30: 30u"Gold Plated 50: 50u"Gold Plated	SA0: SA0 Type SB0: SB0 Type SC0: SC0 Type SD0: SD0 Type	B: Black	A: Tray Package

Tolerances	Dwg No.	8949D02003		Title:	8949-D Series Modular Jack	 <b>OUPIN ELECTRONIC(KUNSHAN) CO., LTD.</b> P/N: 8949-Dxx-06SB0BA			
	Projection								
	Unit	mm	Scale				1:N		
	Drawn By	Martin 08/05'22					①773		
±0.25						SHEET	1/1	Ver.No.	B2