

REV.	SPECIFICATION	ECN NO.	APPD.
A3			

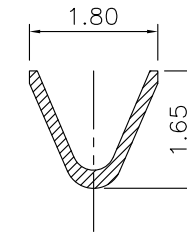
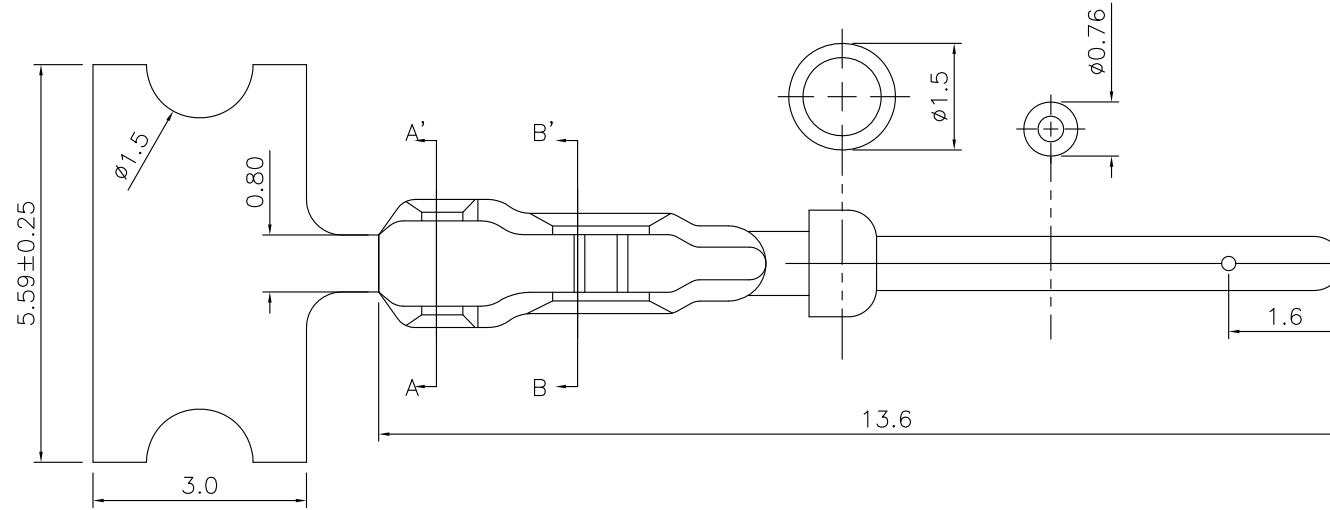
**Material:**

Contacts: Copper Alloy.

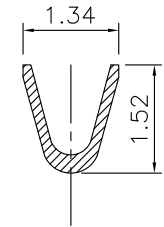
Plating: Contact Pin Gold Flash, over Nickel Plated.

Recommend Wire: 24AWG to 26AWG.

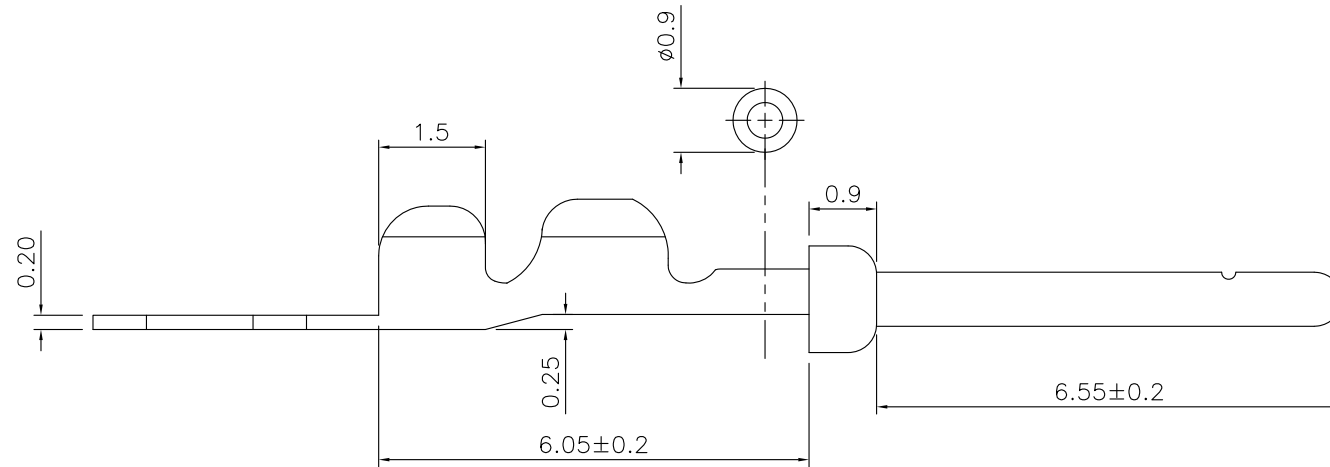
**\*RoHS Compliant**



Section A-A'



Section B-B'



7918- PIN- M- 10K  
Series 10K Pins Per Reel M:Male

Tolerances	Dwg. No.	7918D01004		Title:	
x = ±0.5	Projection	⊕		7918 Series	
.x = ±0.25	Unit	mm	Scale	1:1	
.xx = ±0.15	Drawn By	Peggy11/06'15		Male-Pin	

① 734



OUPIIN ELECTRONIC(KUNSHAN) CO., LTD.

P/N: 7918-PIN-M-10K

SHEET 1/1 Ver.No. A4