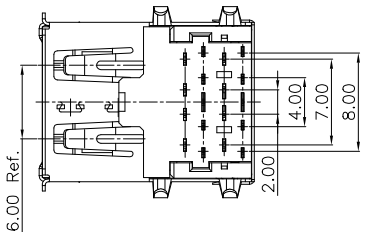
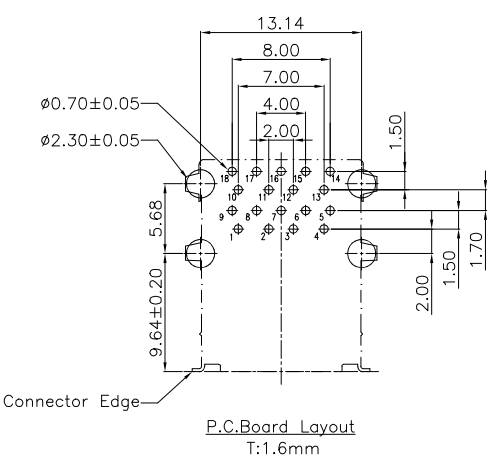
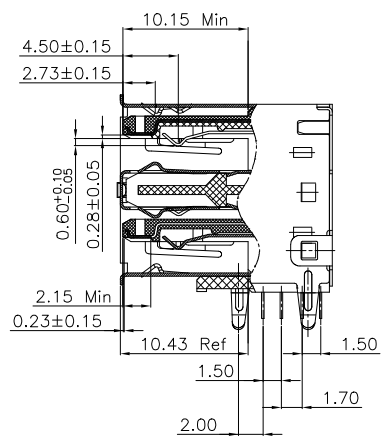
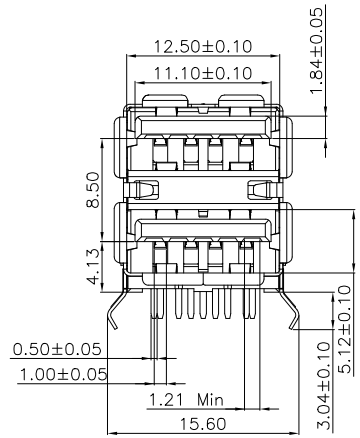
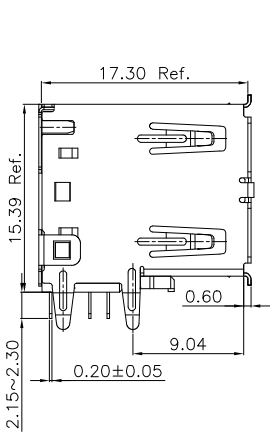
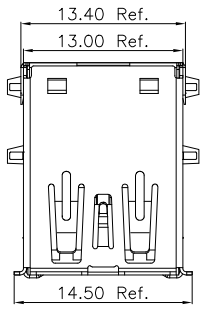
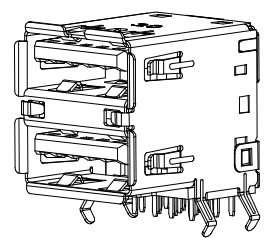


REV.	SPECIFICATION	ECN NO.	APPD.

**Material:**  
Housing: PBT, UL94V-0.  
Baffle: PA66, UL94V-0.  
Contacts(4Pin): Phosphor Bronze .  
Contacts(5Pin): Brass.  
Plating: Gold Plated on Contact Area and 100u" Tin Min Plated on Solder Tail over Nickel 50u" Min.  
Shell(Front): Stainless steel, 40u" Min Nickel Plated.  
Shell(In) & Shell(Back): Stainless steel.  
**Electrical Characteristics:**  
Current Rating: 1.8 AMP(Only Pin1, 4, 10, 13).  
0.25 AMP(For Other Pin).  
Dielectric Withstanding Voltage: AC 100V.  
Insulation Resistance: 100MΩ min.  
Contact Resistance: 30mΩ max.  
Operating Temperature: -55°C~+85°C.  
**\*Data Rate: 5Gbps**  
**\*RoHS Compliant**



8972-A 18 C 30 R U 1 A  
Series Position C: Selective Gold Plated R: Right Angle  
A: Tray Package Type 1 U: Blue

Position	Signal Name
1	10 VBUS
2	11 D-
3	12 D+
4	13 GND
5	14 SSRX-
6	15 SSRX+
7	16 GND
8	17 SSTX-
9	18 SSTX+

Tolerances	Dwg. No.	8972D02010	Title:	
.x = ±0.35	Projection		8972-B Series	
.xx = ±0.25	Unit	mm	USB 3.2 Gen1 5Gbps	
.xxx = ±0.15	Scale	1:N	A Type Stacked	
	Drawn By	Martin 12/05'23	①705	

<b>OUPIN</b>			
OUPIN ELECTRONIC(KUNSHAN) CO., LTD.			
P/N: 8972-A18C30RU1A			
SHEET	1/1	Ver.No.	A2