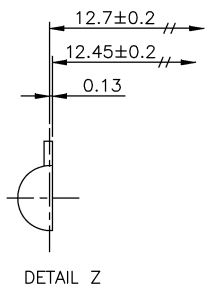
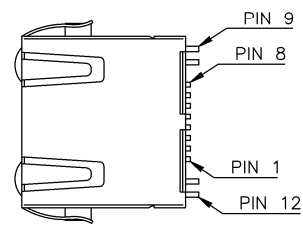
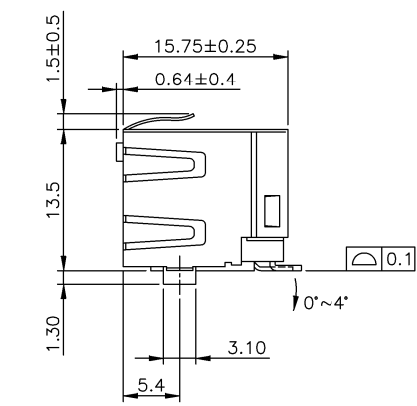
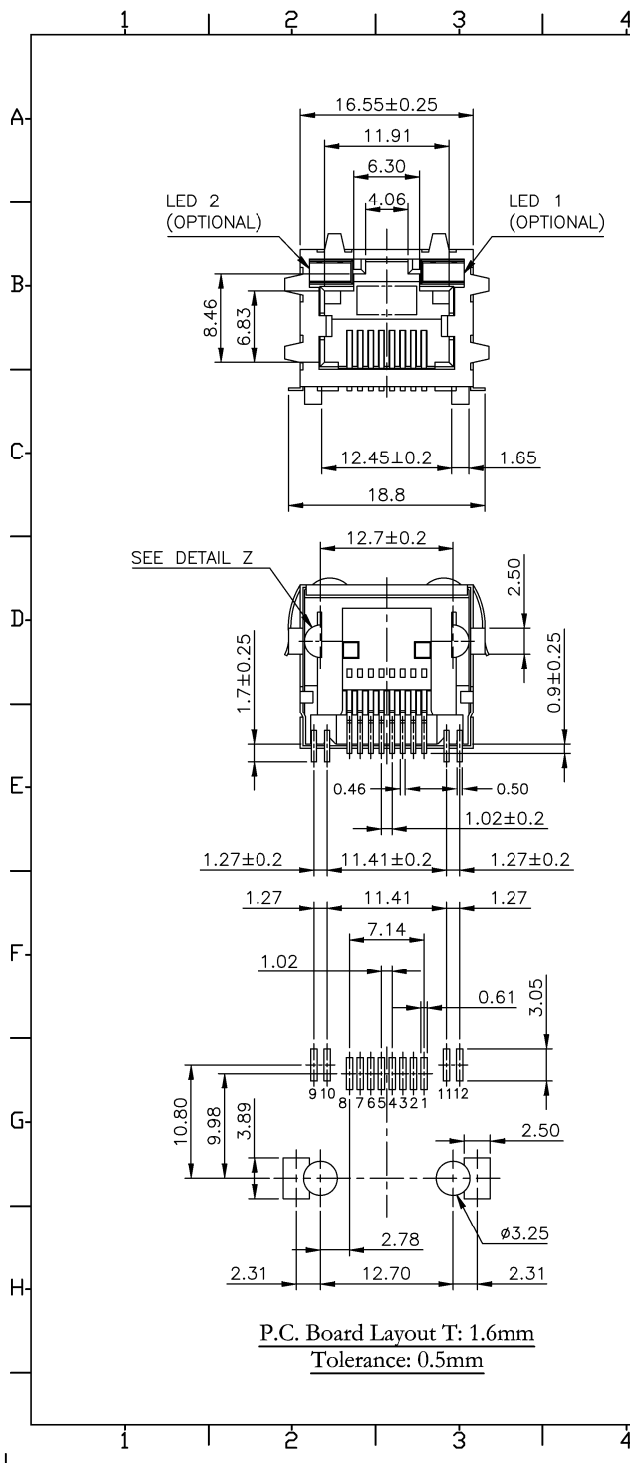
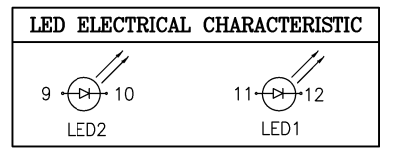


REV.	SPECIFICATION	ECN NO.	APPD.
------	---------------	---------	-------



**Material:**  
Housing: PA9T,UL94V-0, Black.  
Insert Housing: PA46,UL94V-0, Black.  
Contacts: Phosphor Bronze,Gold Plated on Contact area and Gold Flash on Solder Tail over Nickel 50u".  
Shield: Brass, Nickel Plated.  
**Electrical Characteristics:**  
Voltage Rating: 150 V.  
Current Rating: 1 A.  
Dielectric Withstanding Voltage: 1000V.  
Insulation Resistance: 500MΩ min.  
Contact Resistance: 20mΩ max.  
Operating Temperature: -40°C~+85°C.  
**\*RoHS Compliant**



**8949-L1D 8 8 1 -06 S 1 x B A**  
Series 8:8 Position 8: 8 Contacts 1: 1 Port 06: 06u" Gold Plated S: Shield 1: With Grounding x A: LED1: Green, LED2: Yellow B: Black A: Tray Package  
6: 6 Contacts 15: 15u" Gold Plated 0: W/O Grounding B: LED1: Green, LED2: Green T: Tape&Reel Package  
4: 4 Contacts 30: 30u" Gold Plated C: LED1: Yellow, LED2: Green  
2: 2 Contacts 50: 50u" Gold Plated D: LED1: Yellow, LED2: Yellow  
E: LED1: G/Y, LED2: Green  
N: LED1: Y/G, LED2: Y/G

P.C. Board Layout T: 1.6mm  
Tolerance: 0.5mm

Tolerances	Dwg. No.	8949D02111	Title:		 <b>OUPIIN ELECTRONIC(KUNSHAN) CO., LTD.</b> P/N: 8949-L1D881-06S1xBA SHEET 1/1 Ver.No. A8
.x = ±0.25	Projection		8949-L1D Series		
.xx = ±0.13	Unit	mm	Scale	1:N	
.xxx = ±0.05	Drawn By	Emma	10/29'20	Modular Jack With LED SMT Type	