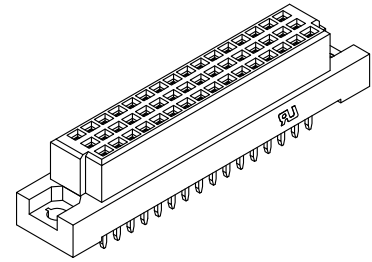
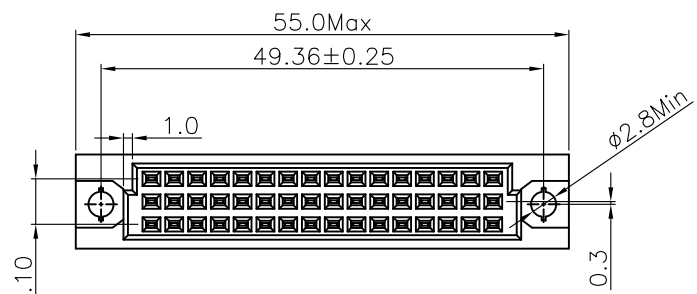


| | | | |
|------|---------------|-----------|-------|
| REV. | SPECIFICATION | ECN NO. | APPD. |
| R6 | | ECN220502 | |



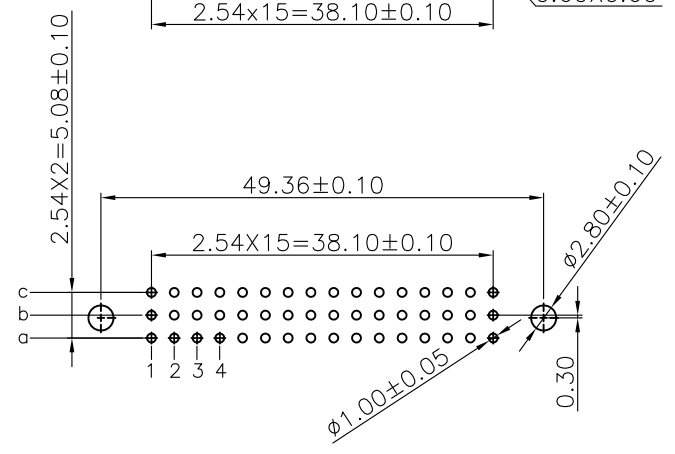
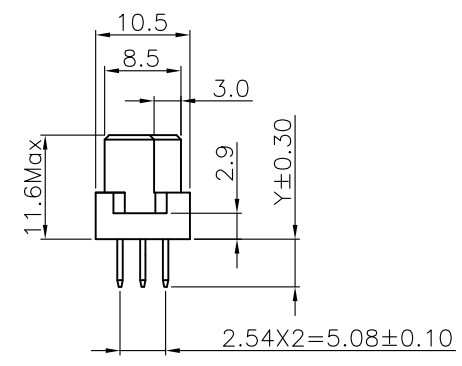
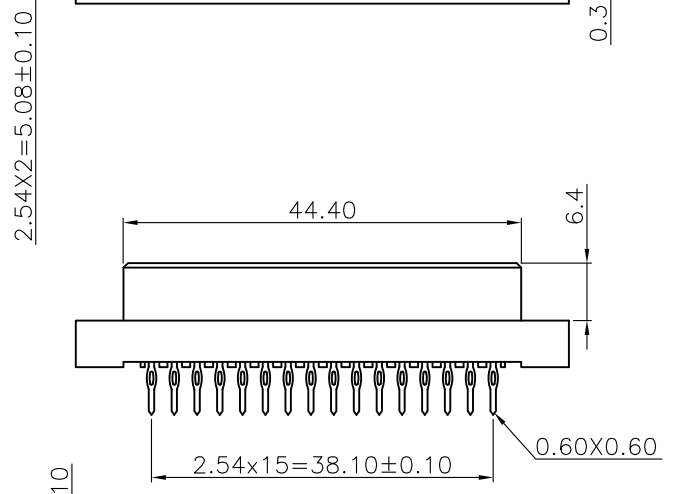
Material and Plating:

Housing: PBT UL94V-0. Beige.
 Contacts: Copper Alloy
 Gold Plated on Contact Area and 80u" Min Tin Plated on Press Fit over Nickel 50u" Min .

Electrical Characteristics:

Current Rating: 2 AMP.
 Dielectric Withstanding Voltage: AC 1000V For 1 minute.
 Insulator Resistance: 10⁶MΩ min. at DC 500V.
 Contact Resistance: 20mΩ max. at DC 100mA.
 Operating Temperature: -55°C ~+125°C .

***RoHS Compliant**



9001- 1(2) 6 xx x C xx P A
 Series
 1: 2.54mm
 2: 5.08mm
 6: Female
 Position
 1: Dip Length
 2: Dip Length
 W1: Dip Length
 W2: Dip Length
 C: Dip Tin Contact Gold
 A: Tray Package
 P: Press Fit
 00: G/F
 10: 10u"
 15: 15u"
 30: 30u"

| | length | 1 | 2 | W1 | W2 |
|--------|---------|--------------------|-----------------|----|----|
| | Y | 4.6 | 6.3 | 13 | 17 |
| 2.54mm | 48 | a b c | | | |
| | 32 | a - c | | | |
| 5.08mm | 16 | a - - | | | |
| | 24 | a b c | | | |
| | 16 | a - c | | | |
| | 8 | a - - | | | |
| Pitch | Pin No. | Rows With Contacts | Contact Arrange | | |

P.C. Board Layout
 Tolerance:(± 0.05)

| | | | | | |
|-------------------|-------------------|-------------|---------------|--|--|
| Tolerances | Dwg. No. | 9001D16017 | Title: | | OUPIIN ELECTRONIC(KUNSHAN) CO., LTD. P/N: 9001-1(2)6xxxCxxPA SHEET 1/1 Ver.No. R6 |
| x = ±0.5 | Projection | | 9001 Series | | |
| .x = ±0.25 | Unit | mm | DIN41612 Half | | |
| .xx = ±0.15 | Scale | 1:1 | C Type Female | | |
| | Drawn By | ZY 05/05'22 | | | |