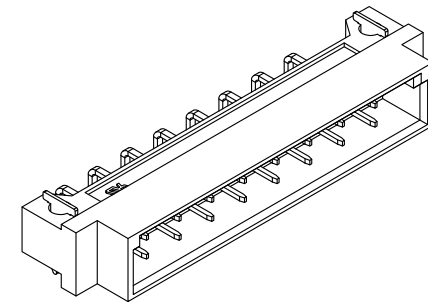
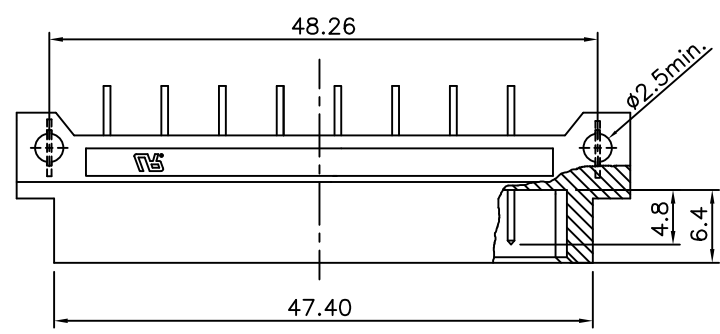


REV.	SPECIFICATION	ECN NO.	APPD.
R2		ECN130915	



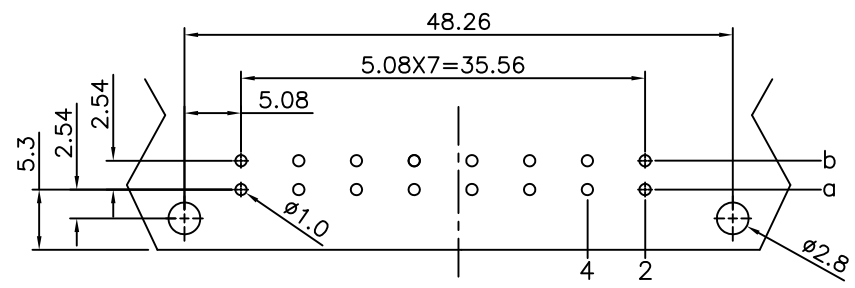
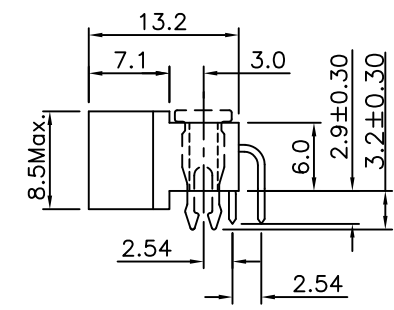
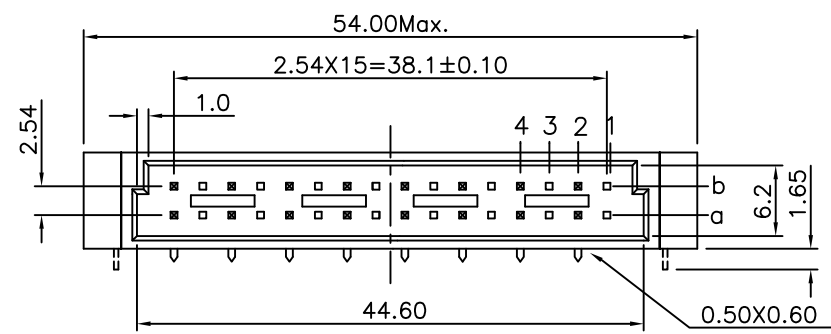
**Material:**

Housing: Thermoplastic Polyester Glass Filled UL94V-0.  
 Contacts: Copper Alloy.  
 Lock: Copper Alloy.

**Electrical Characteristics:**

Current Rating: 2 AMP.  
 Dielectric Withstanding Voltage: AC 1000V For 1 minute.  
 Insulator Resistance: 1000MΩ min. at DC 500V.  
 Contact Resistance: 30mΩ max. at DC 100mA.  
 Operating Temperature: -55°C ~+125°C .

**\*RoHS Compliant**



P.C. Board Layout  
(Tolerance: ±0.05)

9001- 4 5 xx 1 C xx L1 A  
 Series  
 4: 5.08mm  
 5: Male  
 Position  
 1: Dip Length  
 C: Dip Tin Contact Gold  
 A: Tray Package  
 Blank: W/O Lock  
 L1: With Lock  
 00: G/F  
 10: 10 μ"  
 15: 15 μ"  
 30: 30 μ"

Pitch	Position	Rows with Contacts	Contact Arrange
5.08mm	16	a b	
	8	a -	

Tolerances	Dwg. No.	9001D45001	Title:	9001 Series DIN41612 Half B Type Male	 <b>OUPIN ELECTRONIC(KUNSHAN) CO., LTD.</b> P/N: 9001-45xx1CxL1A	
x = ±0.5	Projection		Scale			1:1
.x = ±0.25	Unit	mm	Drawn By			Z W 09/23'13
.xx = ±0.15					SHEET 1/1 Ver.No. R2	