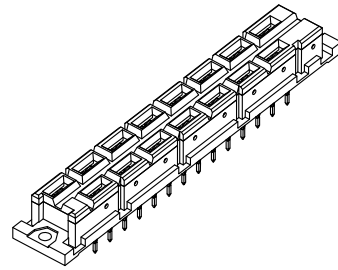
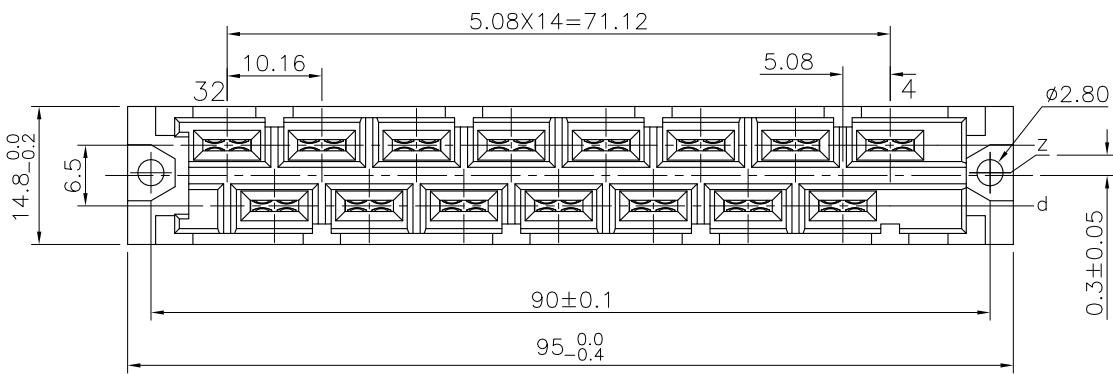


REV.	SPECIFICATION	ECN NO.	APPD.
R2			



Material:

Housing: Thermoplastic Polyester Glass Filled UL94V-0.

Contacts: Copper Alloy.

Electrical Characteristics:

Current Rating: 15 AMP.

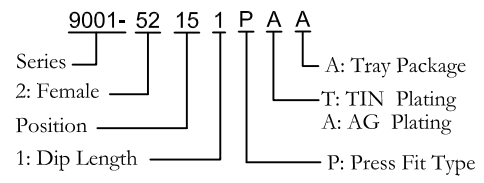
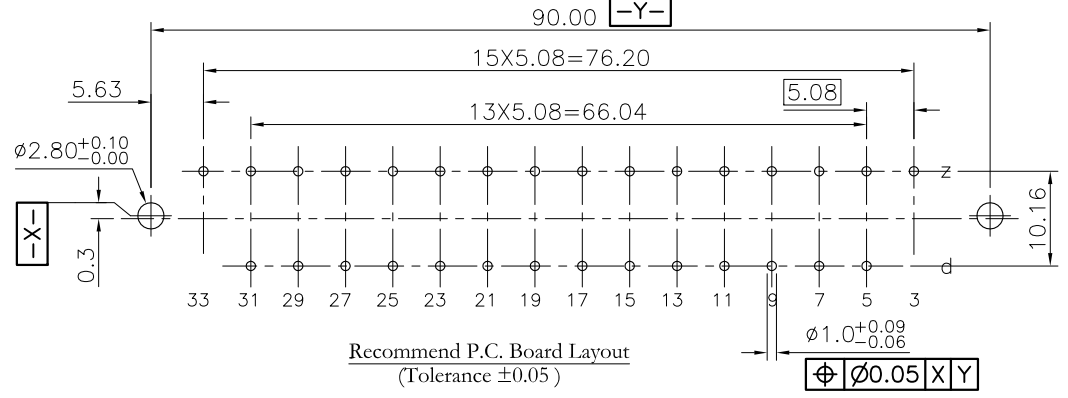
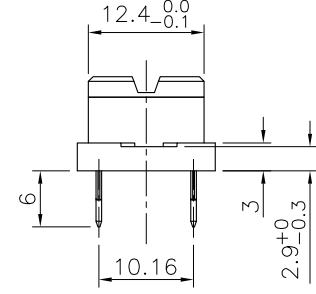
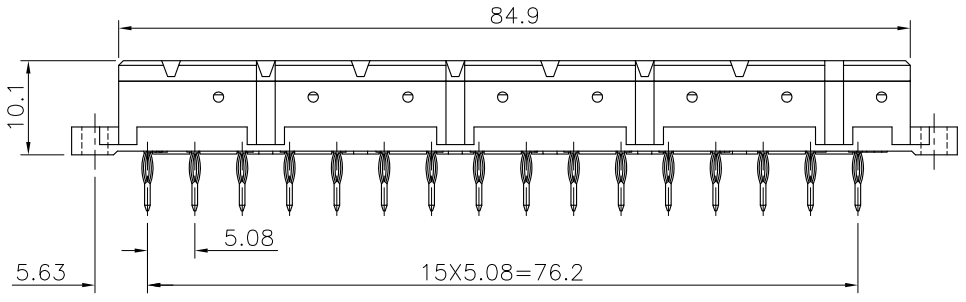
Dielectric Withstanding Voltage: AC 3100V For 1 minute.

Insulator Resistance: 1000MΩ min. at DC 250V.

Contact Resistance: 8mΩ max. at DC 100mA.

Operating Temperature: -55°C~+105°C.

***RoHS Compliant**



Tolerances	Dwg. No.	9001D52004	Title:		 OUPIIN ELECTRONIC(KUNSHAN) CO., LTD.
x = ±0.50	Projection		9001 Series		
.x = ±0.25	Unit	mm	DIN41612 H15 Type		
.xx = ±0.15	Scale	1:1	Female Connector Press Fit Type		P/N: 9001-52151PAA
	Drawn By	XCY06/02'12	SHEET	1/1	Ver.No.
					R2