

| | | | |
|------|---------------|-----------|-------|
| REV. | SPECIFICATION | ECN NO. | APPD. |
| R2 | | ECN180120 | |

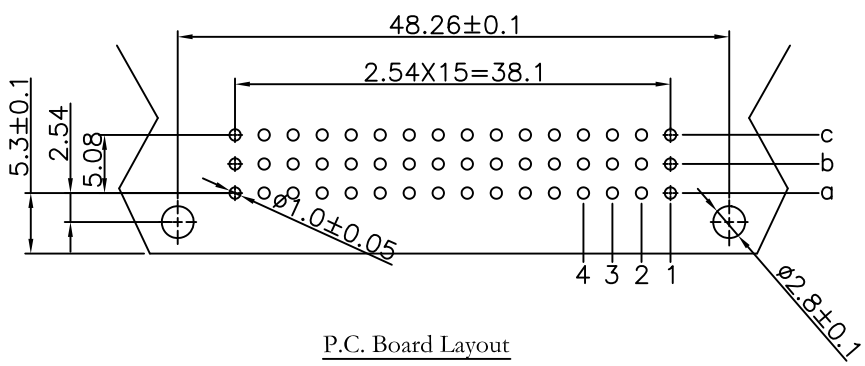
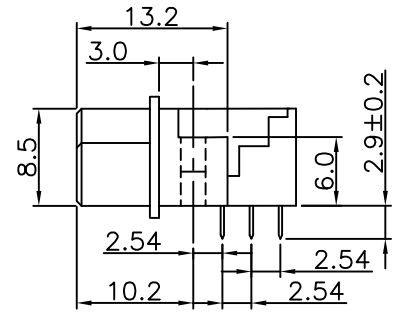
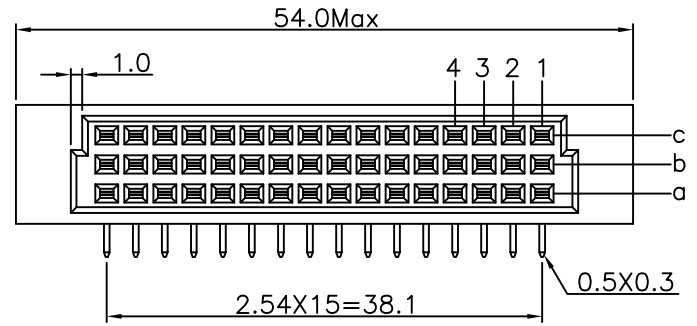
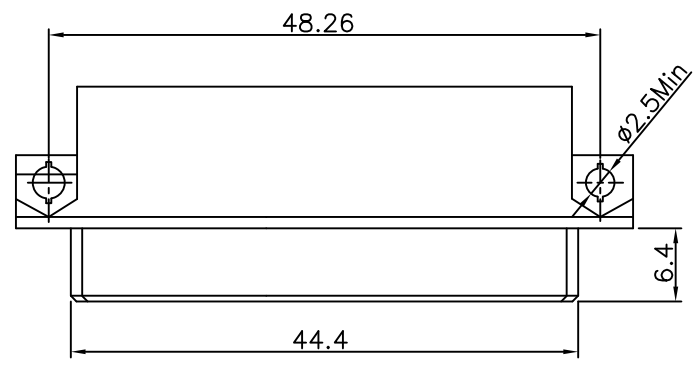
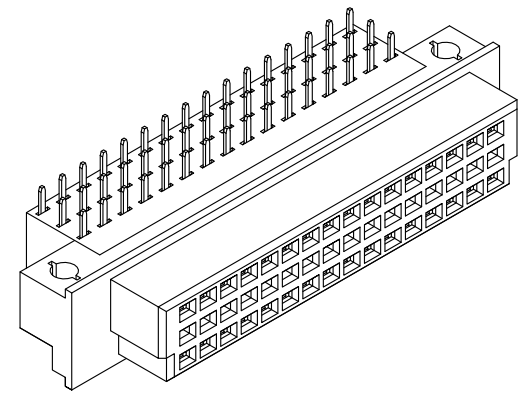
Material and Plating:

Housing: PBT, UL94V-0, Beige.
 Contacts: Phosphor Bronze
 Gold Plated on Contact Area and 80u" Min Tin Plated on solder Tail over Nickel 50u" Min.

Electrical Characteristics:

Current Rating: 2 AMP.
 Dielectric Withstanding Voltage: AC 1000V For 1 minute.
 Insulator Resistance: 1000MΩmin. at DC 500V.
 Contact Resistance: 20mΩmax. at DC 100mA.
 Operating Temperature: -55°C ~ +125°C.

***RoHS Compliant**



P.C. Board Layout

9001-A 1 8 48 1 C 00 A

Series
 1: 2.54mm
 2: 5.08mm
 8: Female
 Position
 1: Dip Length

A: Tray Package
 00: G/F
 10: 10 μ"
 15: 15 μ"
 30: 30 μ"

C: Dip Tin Plated
 Contact Gold Plated
 G: Gold Plated

| Pitch | Position | Rows with Contacts | Contact Arrange |
|--------|----------|--------------------|-----------------|
| 2.54mm | 48 | a b c | |
| | 32 | a - c | |
| | 16 | a - - | |
| 5.08mm | 24 | a b c | |
| | 16 | a - c | |
| | 8 | a - - | |

| | | |
|-------------|------------|--------------|
| Tolerances | Dwg. No. | 9001D18008 |
| x = ±0.5 | Projection | |
| .x = ±0.25 | Unit | mm |
| .xx = ±0.15 | Scale | 1:1 |
| | Drawn By | MXM 01/12'18 |

Title: 9001 Series
 DIN41612
 Half R Type Female

OUPIN
 OUPIN ELECTRONIC(KUNSHAN) CO., LTD.
 P/N: 9001-A18xx1CxxA

| | | | |
|-------|-----|---------|----|
| SHEET | 1/1 | Ver.No. | R2 |
|-------|-----|---------|----|