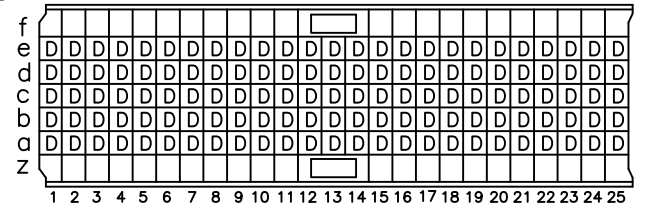
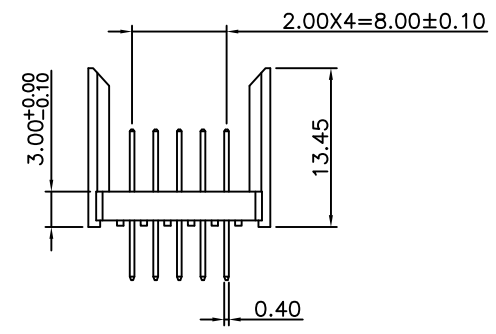
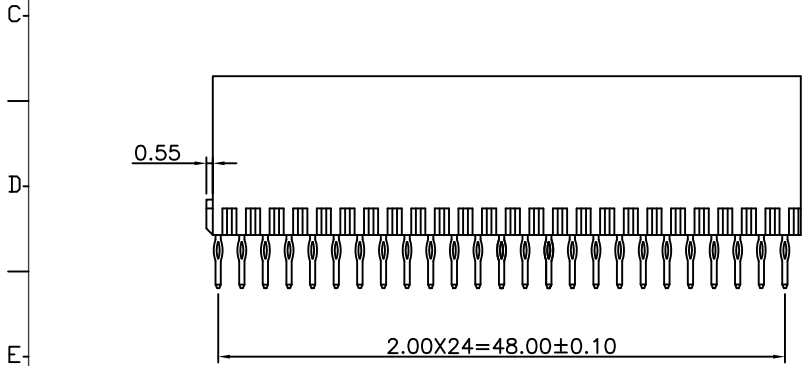


REV.	SPECIFICATION	ECN NO.	APPD.
R1			

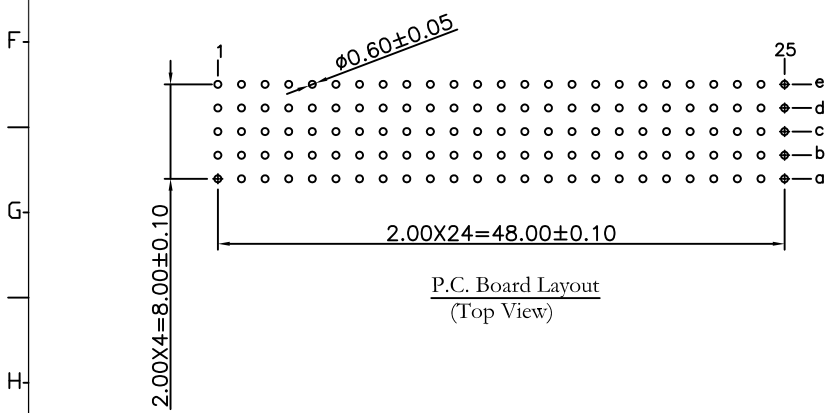
Material:
Housing: Thermoplastic Polyester Glass Filled UL94V-0
Contacts: Copper Alloy.

Electrical Characteristics:
Current Rating: 1 AMP.
Dielectric Withstanding Voltage: AC 750V For 1 minute.
Insulator Resistance: 10000MΩ min.at DC 500V.
Contact Resistance: 20mΩ max.at DC 100mA.
Operating Temperature: -55°C ~ +125°C.

***RoHS Compliant**

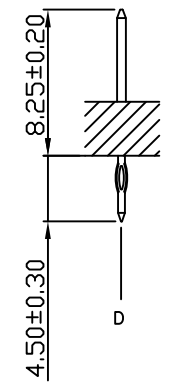


CONTACT LAYOUT



P.C. Board Layout
(Top View)

- Series: 9111- 7 1 AB 169 K C xx U
- 7Row: 7
- 1: Male
- AB: Type AB
- Housing Type: K: K Option
- U: Tube Package
- 10: 10 u"
- 30: 30 u"
- C: Dip Tin
- Contact Gold
- G: Gold



Tolerances	Dwg. No.	9111D71173		Title:	
x = ±0.5	Projection			9111 Series Hard Metric Connectors Male Type AB-25	
.x = ±0.25	Unit	mm	Scale		1:1
.xx = ±0.15	Drawn By	Zhu QL 08/04'12			

9111 Series
Hard Metric
Connectors Male
Type AB-25

OUPIN			
OUPIN ELECTRONIC(KUNSHAN) CO., LTD.			
P/N: 9111-71AB169KCxxU			
SHEET	1/1	Ver.No.	R1