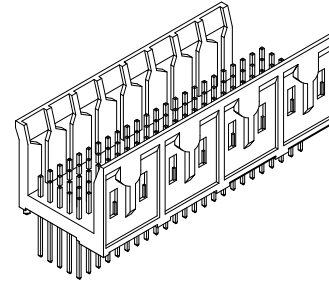
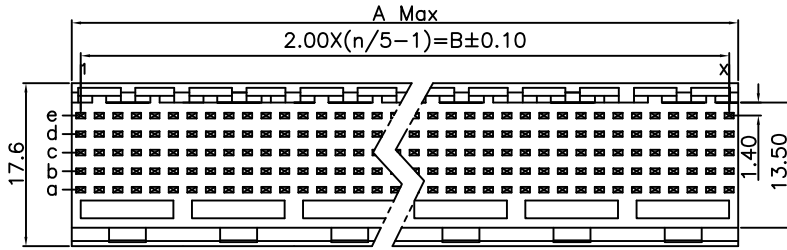
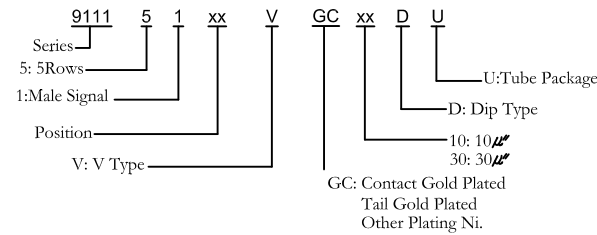
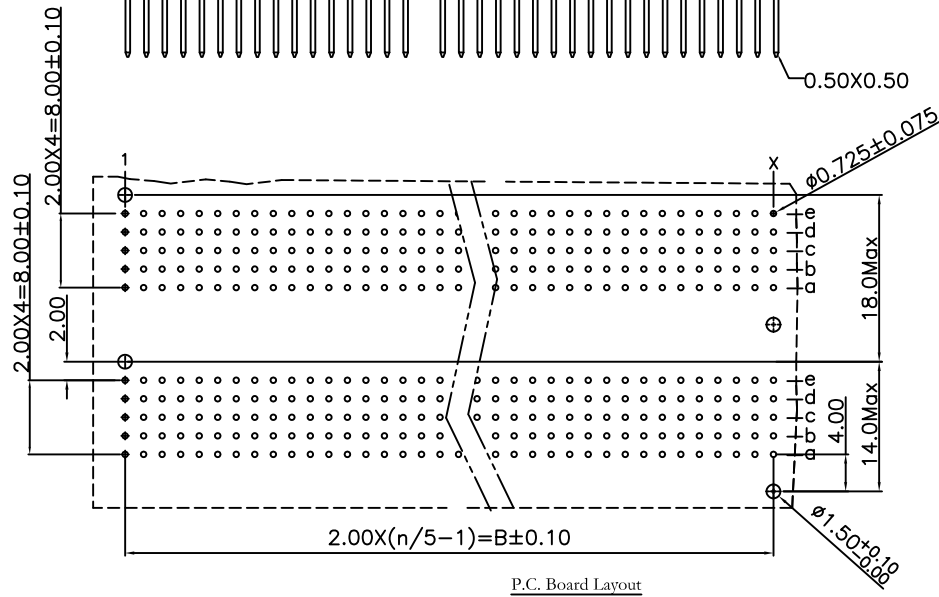
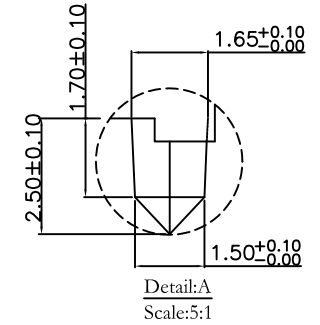
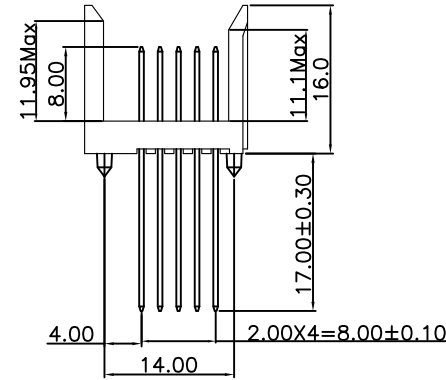
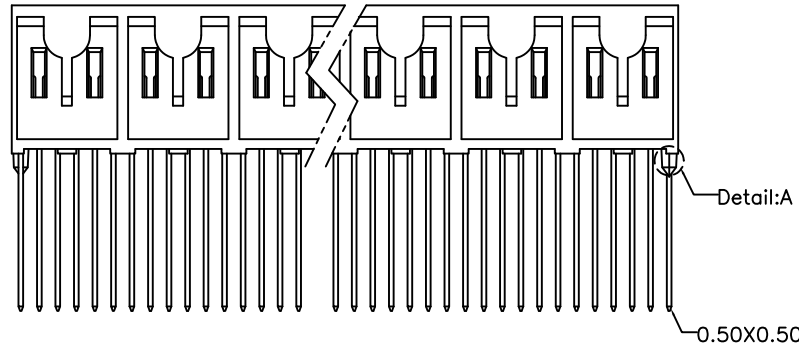


REV.	SPECIFICATION	ECN NO.	APPD.
R3		ECN140707	



Material:
Housing: High Temperature Plastic UL94V-0.
Contacts: Copper Alloy.

Electrical Characteristics:
Current Rating: 1 AMP.
Dielectric Withstanding Voltage: AC 1000V For 1 minute.
Insulator Resistance: 1000MΩ min. at DC 500V.
Contact Resistance: 30mΩ max. at DC 100mA.
Operating Temperature: -55°C~+125°C .
***RoHS Compliant**



Position	Dimension	
	A	B
n		
60	23.95	22
90	35.95	34
120	47.95	46
150	59.95	58
180	71.95	70
210	83.95	82
240	95.95	94
270	107.95	106
300	119.95	118
330	131.95	130
360	143.95	142
390	155.95	154

Tolerances	Dwg. No.	9111D51089	Title:		 OUPIIN ELECTRONIC(KUNSHAN) CO., LTD. P/N: 9111-51xxVGCxxDU SHEET 1/1 Ver.No. R3
x = ±0.5	Projection		9111 Series		
.x = ±0.25	Unit	mm	Scale	1:1	
.xx = ±0.15	Drawn By	YQ 10/08'14	H.D. Male 2.0mm Dip Type 5 Rows		