

REV.	SPECIFICATION	ECN NO.	APPD.
R3			

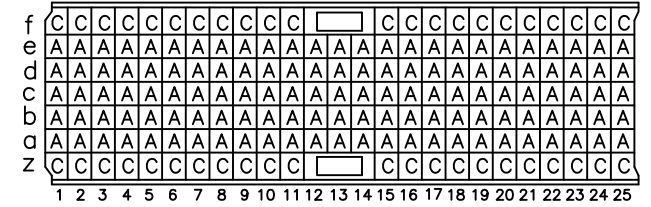
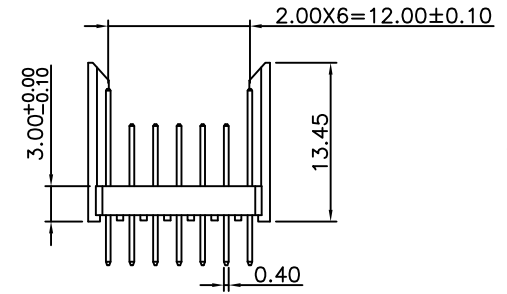
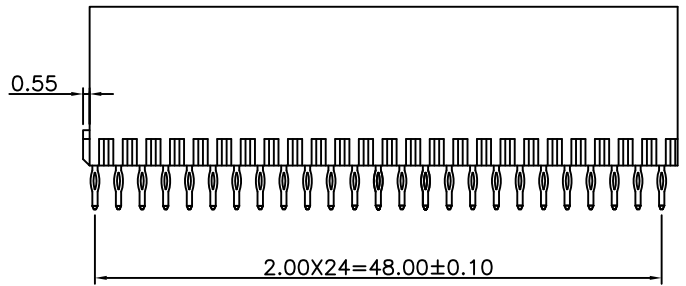
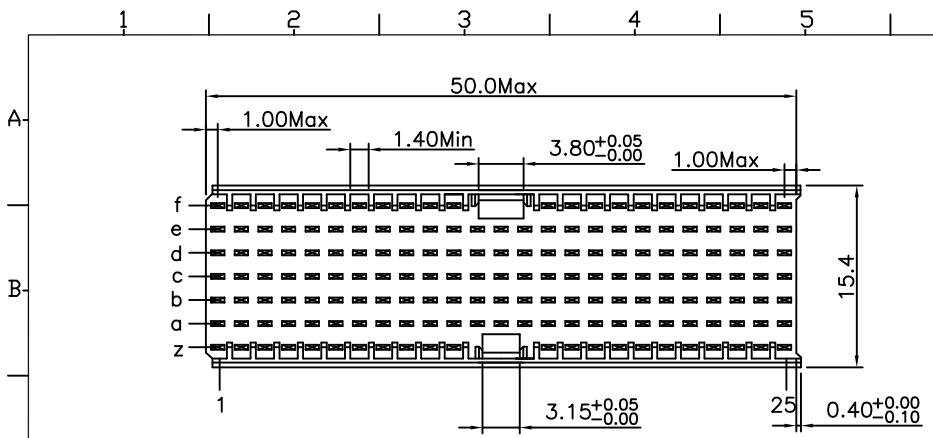
**Material:**

Housing: Thermoplastic Polyester Glass Filled UL94V-0  
 Contacts: Copper Alloy.

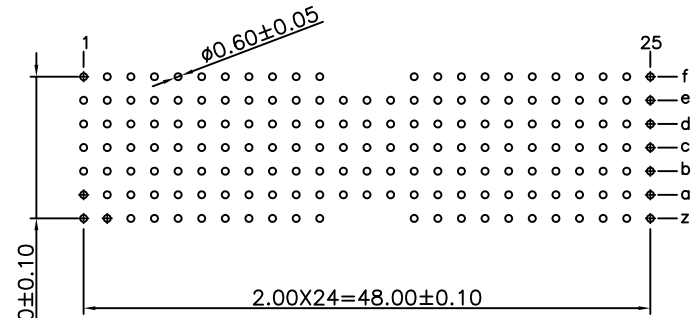
**Electrical Characteristics:**

Current Rating: 1 AMP.  
 Dielectric Withstanding Voltage: AC 750V For 1 minute.  
 Insulator Resistance: 10000MΩ min.at DC 500V.  
 Contact Resistance: 20mΩ max.at DC 100mA.  
 Operating Temperature: -55°C ~ +125°C.

**\*RoHS Compliant**

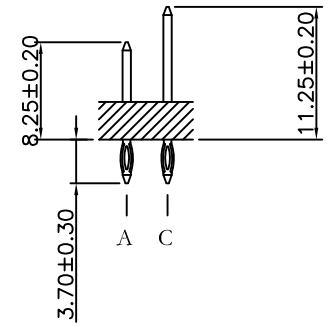


CONTACT LAYOUT



P.C. Board Layout  
(Top View)

- 9111- 7 1 AB 169 C C xx U
- Series
- 7Row
- 1: Male
- AB: Type AB
- Housing Type
- C: C Option
- U: Tube Package
- 10: 10 u"
- 30: 30 u"
- C: Dip Tin
- Contact Gold
- G: Gold



Tolerances	Dwg. No.	9111D71070	Title:	9111 Series
x = ±0.5	Projection			Hard Metric Connector
.x = ±0.25	Unit	mm	Scale	1:1
.xx = ±0.15	Drawn By	Zhu QL 08/04'12		Male Type AB-25

9111 Series  
 Hard Metric Connector  
 Male Type AB-25



OUPIN ELECTRONIC(KUNSHAN) CO., LTD.

P/N: 9111-71AB169CCxxU

SHEET	1/1	Ver.No.	R3
-------	-----	---------	----