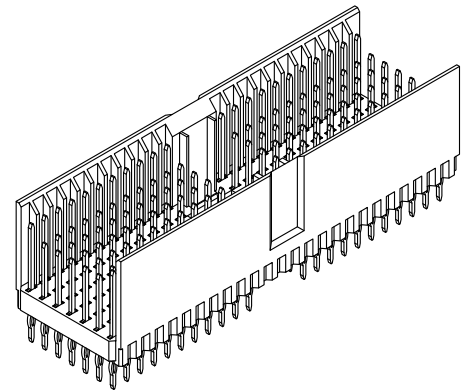
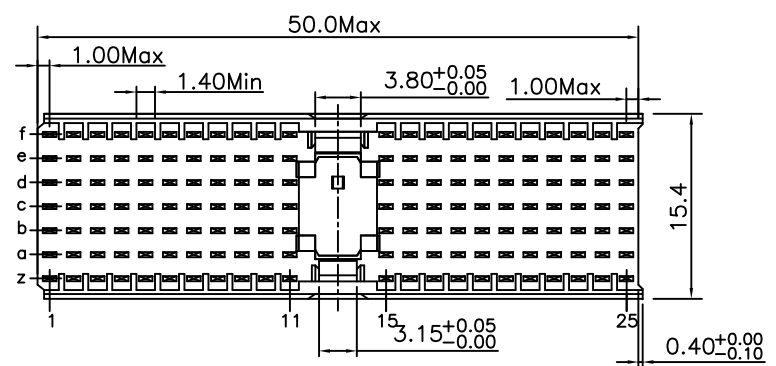


REV.	SPECIFICATION	ECN NO.	APPD.
R4			



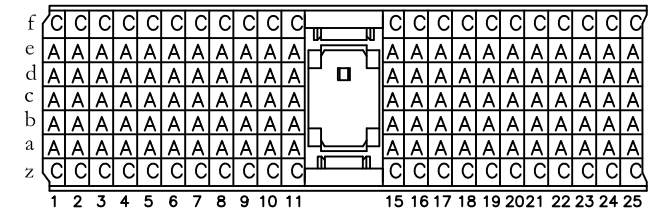
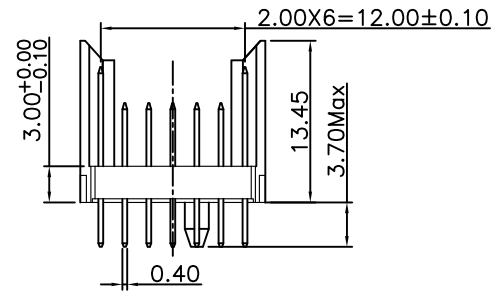
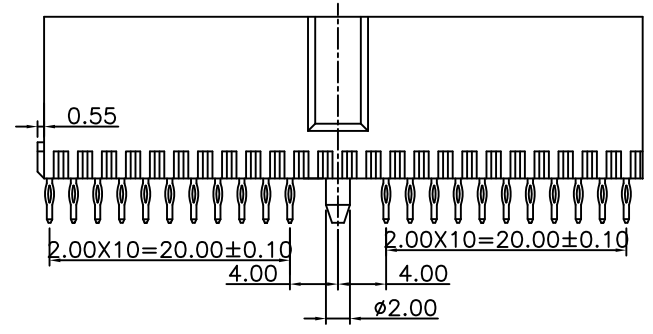
Material:

Housing: Thermoplastic Polyester Glass Filled UL94V-0
 Contacts: Copper Alloy.

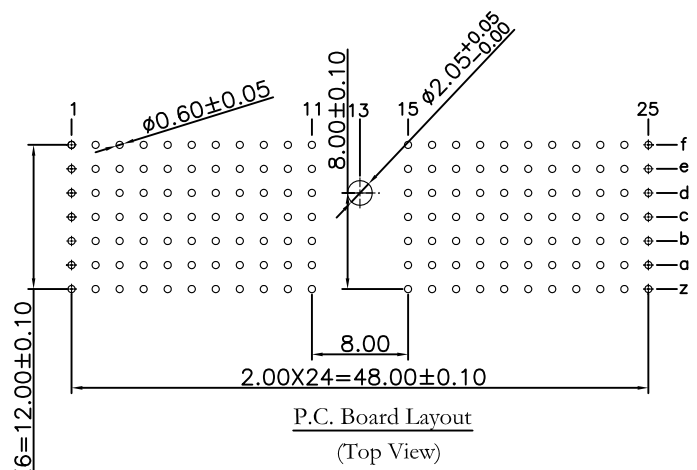
Electrical Characteristics:

Current Rating: 1 AMP.
 Dielectric Withstanding Voltage: AC 750V For 1 minute.
 Insulator Resistance: 10000MΩ min.at DC 500V.
 Contact Resistance: 20mΩ max.at DC 100mA.
 Operating Temperature: -55°C ~ +125°C.

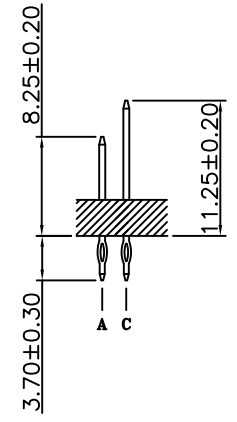
***RoHS Compliant**



CONTACT LAYOUT



9111- 7 1 A 154 C Cxx U
 Series — 7Row — 1: Male — A: Type A — Housing Type — C: C Option — U: Tube Package
 Cxx: Dip Tin Contact Gold
 10: 10u"
 30: 30u"
 CB30: Dip Tin
 Contact Au+Pd/Ni
 30: 30u"



Tolerances	Dwg. No.	9111D71013		Title: 9111 Series Hard Metric Connector Male Type A	
x = ±0.5	Projection	⊕ ↯			
.x = ±0.25	Unit	mm	Scale		1:1
.xx = ±0.15	Drawn By	YTY01/07'13			

OUPIIN			
OUPIIN ELECTRONIC(KUNSHAN) CO., LTD.			
P/N: 9111-71A154CCxxU			
SHEET	1/1	Ver.No.	R4