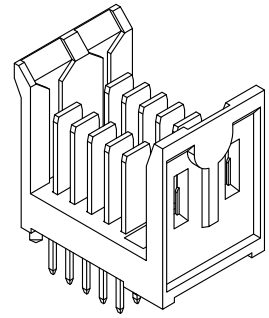
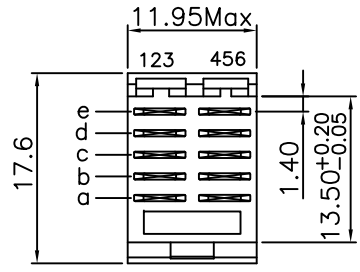
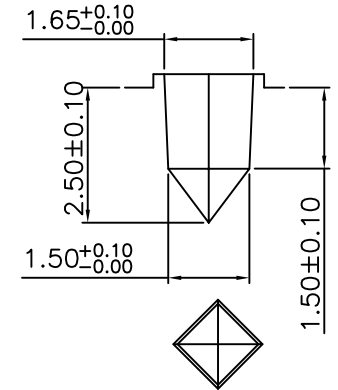
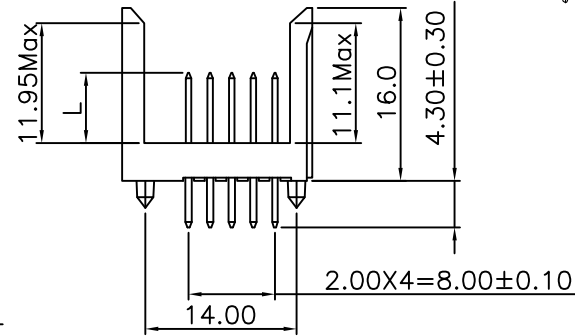
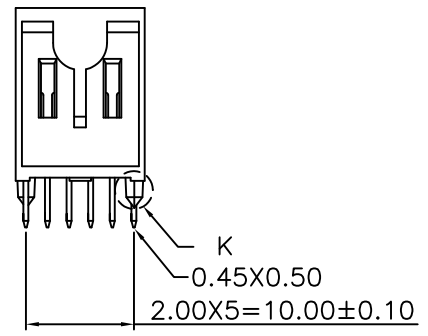


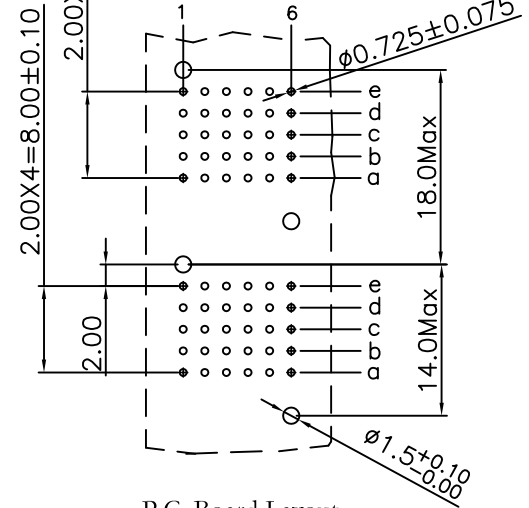
REV.	SPECIFICATION	ECN NO.	APPD.
R4		ECN140533	



Material:
Housing: High Temperature Plastic UL94V-0.
Contacts: Copper Alloy.
Electrical Characteristics:
Current Rating: 3 AMP.
Dielectric Withstanding Voltage: AC 1000V For 1 minute.
Insulator Resistance: 1000MΩ min. at DC 500V.
Contact Resistance: 30mΩ max. at DC 100mA.
Operating Temperature: -55°C ~+125°C .
***RoHS Compliant**



DETAIL: K
(Scale 5 : 1)



P.C. Board Layout
(Tolerance: ±0.05)

9111- 5 3 10 x C xx D U
 Series ——— 5: 5Rows ——— U: Tube Package
 ——— 3: Male Power ——— D: Dip Type
 Position ——— 10: 10μ" ——— 30: 30μ"
 A,B,E(See the P/N form) ——— C: Dip Tin Contact Gold
 ——— G: Gold

P/N.	L
9111-5310AxxxDU	6.50
9111-5310BxxxDU	7.25
9111-5310ExxxDU	8.00

Tolerances	Dwg No.	9111D53004	Title:	9111 Series H.D. 2.0mm Futurebus(+) 5 Rows Male Power Dip Type	OUPIN OUPIN ELECTRONIC(KUNSHAN) CO., LTD. P/N: 9111-5310xCxxDU
x = ±0.5	Projection				
.x = ±0.25	Unit	mm	Scale	1:1	
.xx = ±0.15	Drawn By	YQ 06/24'14			
					SHEET 1/1 Ver.No. R4