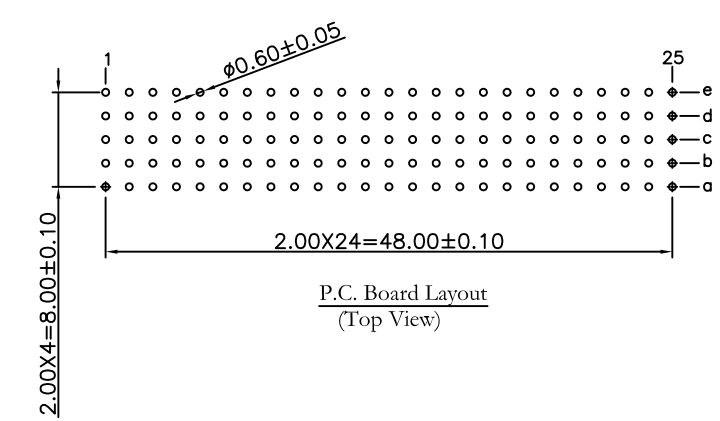
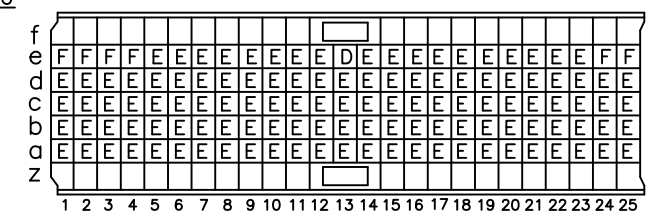
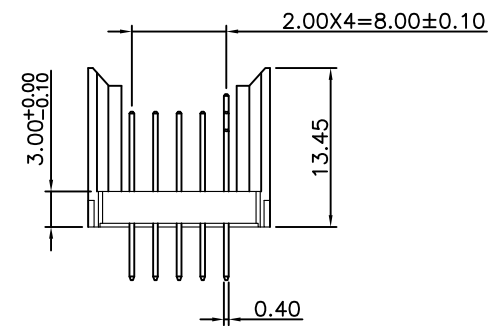
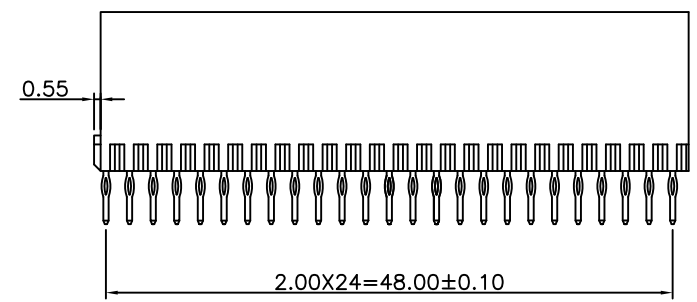
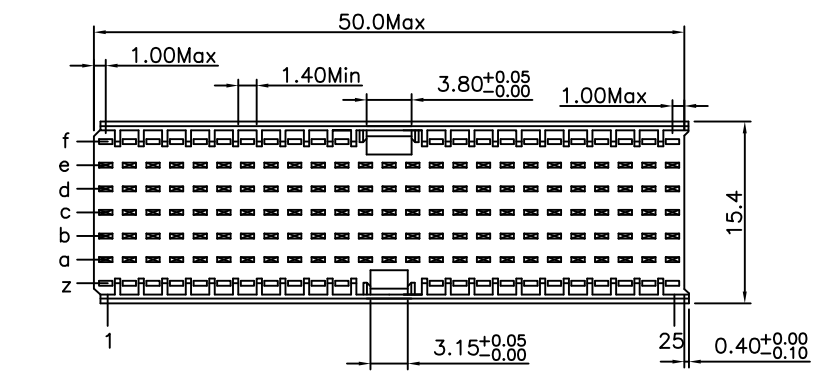
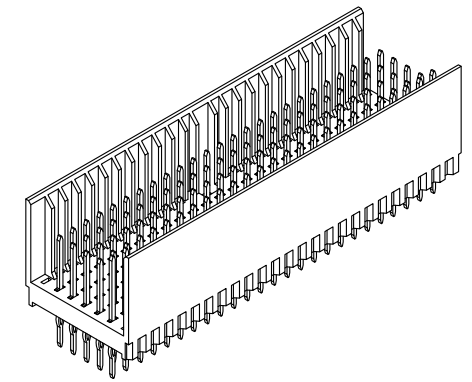


REV.	SPECIFICATION	ECN NO.	APPD.
R1			

Material:
Housing: Thermoplastic Polyester Glass Filled UL94V-0
Contacts: Copper Alloy.

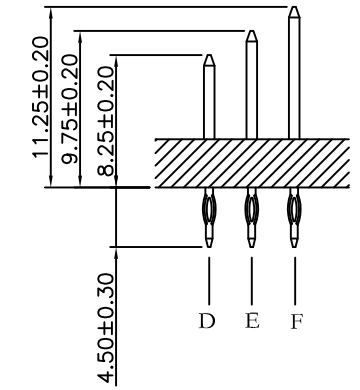
Electrical Characteristics:
Current Rating: 1 AMP.
Dielectric Withstanding Voltage: AC 750V For 1 minute.
Insulator Resistance: 10000MΩ min.at DC 500V.
Contact Resistance: 20mΩ max.at DC 100mA.
Operating Temperature: -55°C ~ +125°C .

***RoHS Compliant**



9111- 7 1 AB 169 I C xx U

Series: 9111-
7Row: 7
1: Male
AB: Type AB
Housing Type: 169
I: I Option
C: Dip Tin
xx: Contact Gold
U: Tube Package
10: 10 u"
30: 30 u"



Tolerances	Dwg. No.	9111D71171		Title:		OUPIN OUPIN ELECTRONIC(KUNSHAN) CO., LTD.	
x = ±0.5	Projection	⊕ ⊖		9111 Series Hard Metric Connectors Male Type AB-25			
.x = ±0.25	Unit	mm	Scale	1:1		P/N:	9111-71AB169ICxxU
.xx = ±0.15	Drawn By	Zhu QL 08/04'12		SHEET	1/1	Ver.No.	R1