

REV.	SPECIFICATION	ECN NO.	APPD.
R3		ECN161013	

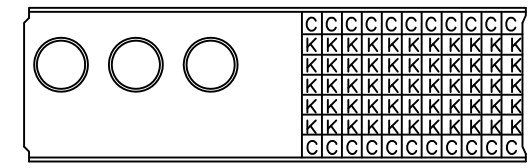
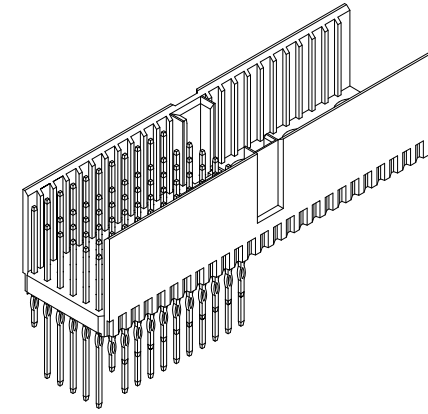
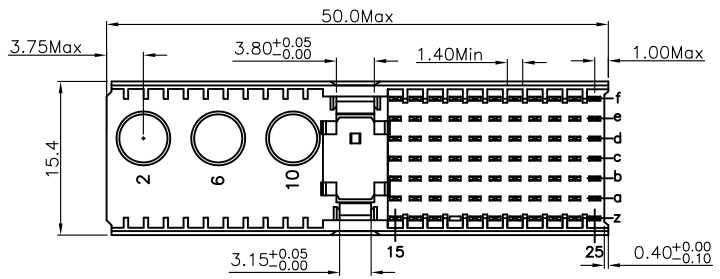
**Material:**

Housing: Thermoplastic Polyester Glass Filled UL94V-0  
 Contacts: Copper Alloy.

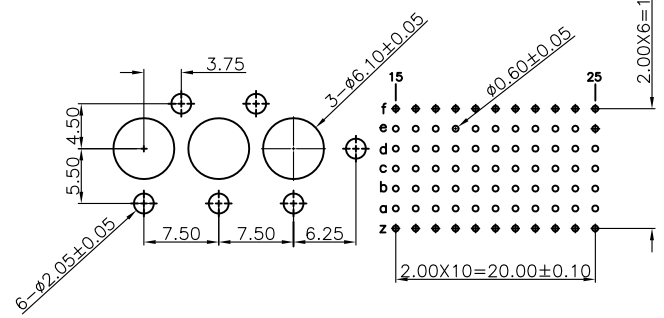
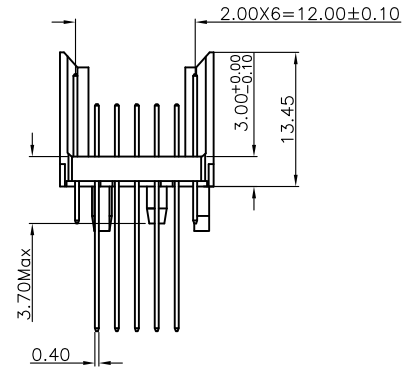
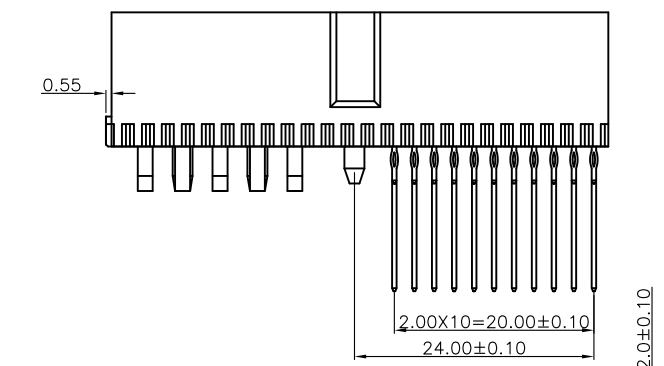
**Electrical Characteristics:**

Current Rating: 1 AMP.  
 Dielectric Withstanding Voltage: AC 750V For 1 minute.  
 Insulator Resistance: 10000MΩ min.at DC 500V.  
 Contact Resistance: 20mΩ max.at DC 100mA.  
 Operating Temperature: -55°C ~ +125°C.

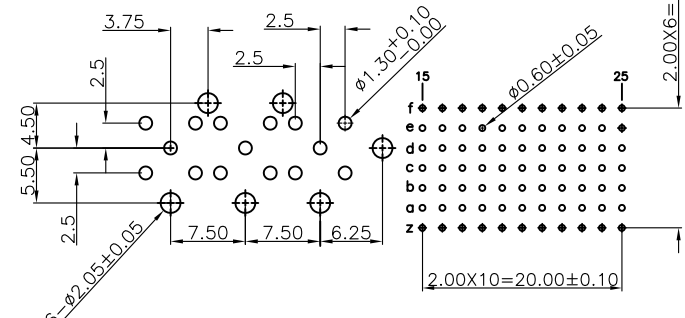
**\*RoHS Compliant**



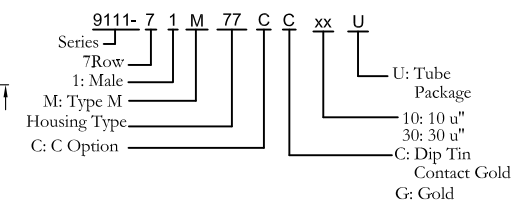
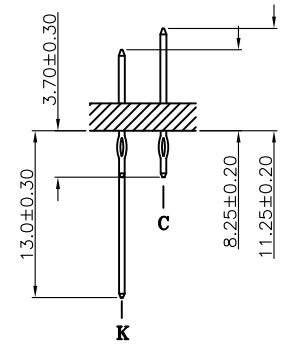
CONTACT LAYOUT



P.C. Board Layout for Power Contact  
 (Tolerance:±0.05)  
 (Top View)



P.C. Board Layout for Coaxial Contact  
 (Tolerance:±0.05)  
 (Top View)



Tolerances	Dwg. No.	9111D71086		Title: 9111 Series 2.00 Hard Metric Connectors Male Type M	
x = ±0.5	Projection				
.x = ±0.25	Unit	mm	Scale		1:1
.xx = ±0.15	Drawn By	LQ 11/11'16			

<b>OUPIN</b>			
OUPIN ELECTRONIC(KUNSHAN) CO., LTD.			
P/N: 9111-71M77CCxxU			
SHEET	1/1	Ver.No.	R3