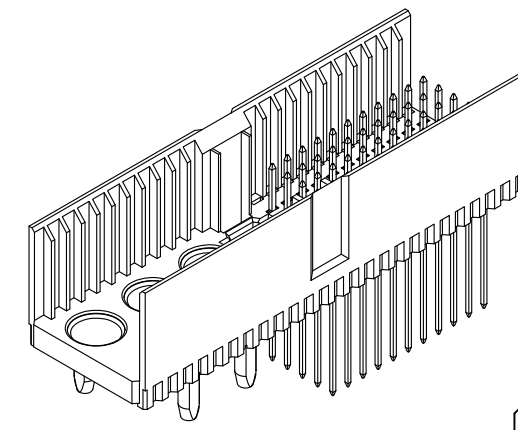
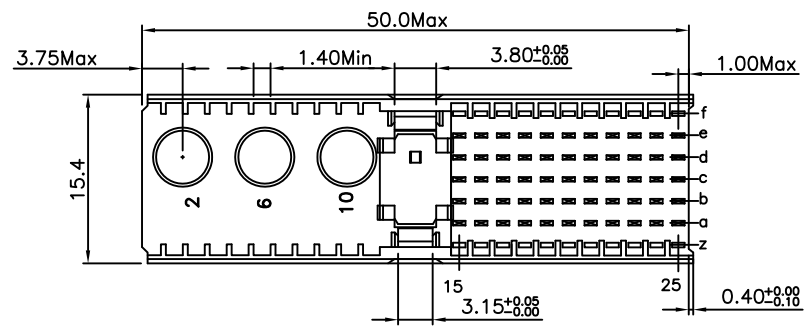


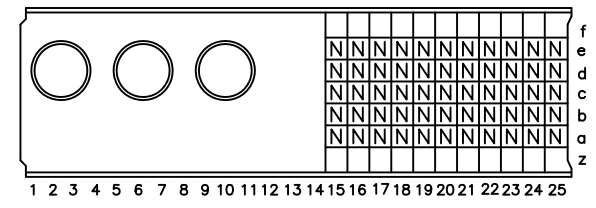
REV.	SPECIFICATION	ECN NO.	APPD.
R3		ECN161013	



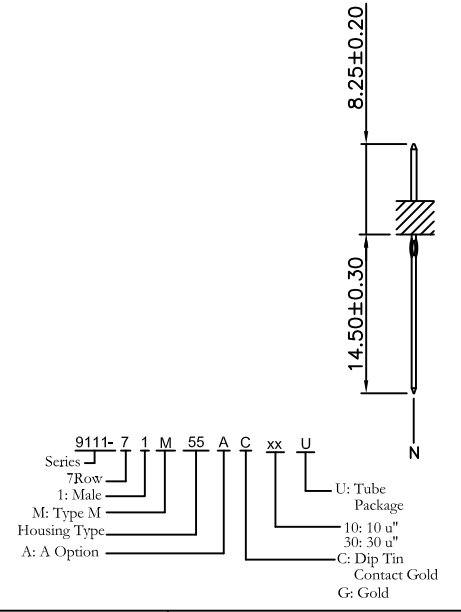
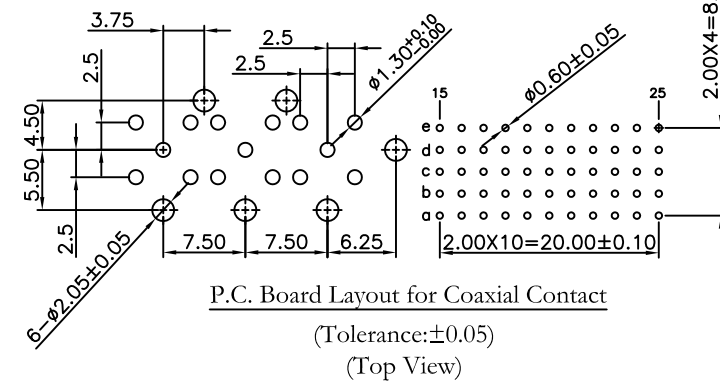
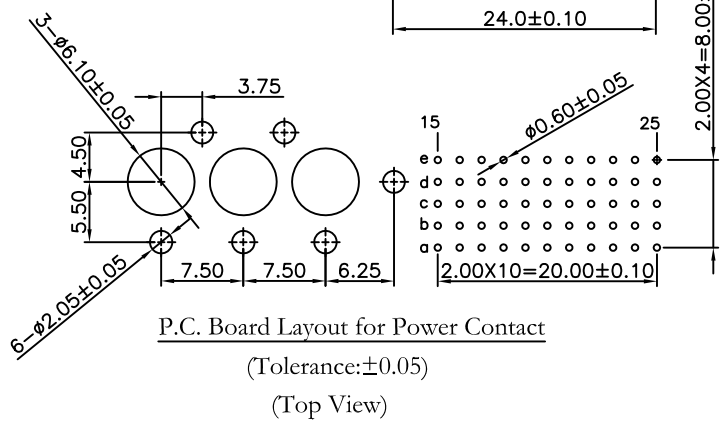
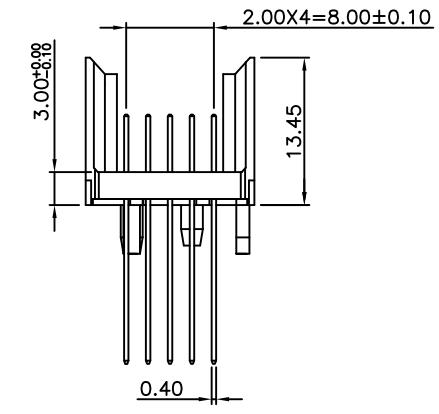
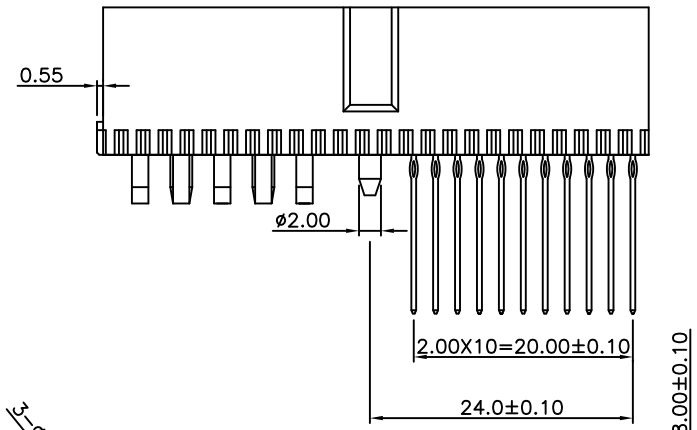
Material:
Housing: Thermoplastic Polyester Glass Filled UL94V-0
Contacts: Copper Alloy.

Electrical Characteristics:
Current Rating: 1 AMP.
Dielectric Withstanding Voltage: AC 750V For 1 minute.
Insulator Resistance: 10000MΩ min.at DC 500V.
Contact Resistance: 20mΩ max.at DC 100mA.
Operating Temperature: -55°C ~ +125°C.

***RoHS Compliant**



CONTACT LAYOUT



Tolerances	Dwg. No.	9111D71097	Title:		9111 Series	OUPIN
x = ±0.5	Projection		2.00 Hard Metric		Connectors Male	
.x = ±0.25	Unit	mm	Scale	1:1	Type M	OUPIN ELECTRONIC(KUNSHAN) CO., LTD.
.xx = ±0.15	Drawn By	LQ 11/11'16				P/N: 9111-71M55ACxxU
			SHEET	1/1	Ver.No.	R3