

REV.	SPECIFICATION	ECN NO.	APPD.
R2			

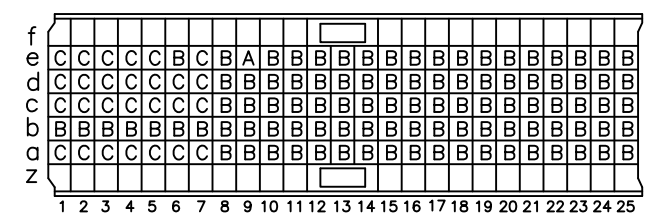
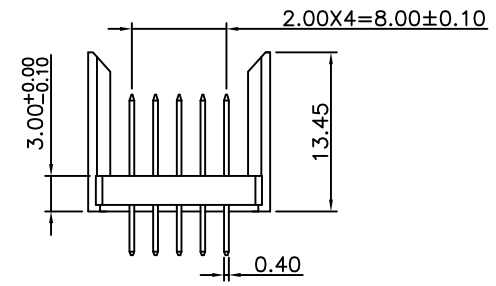
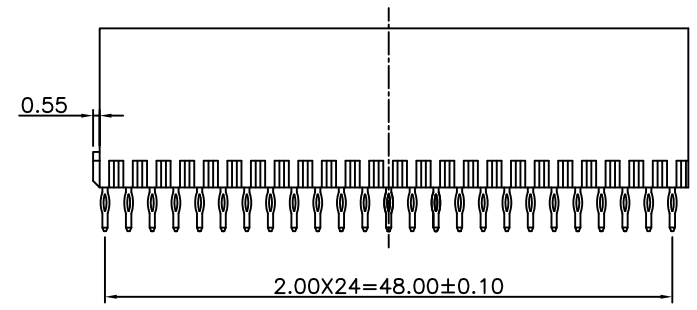
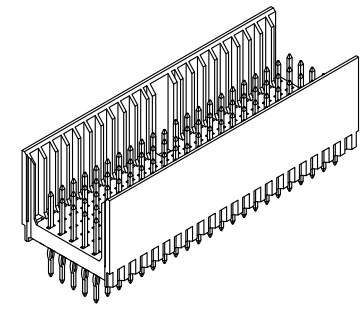
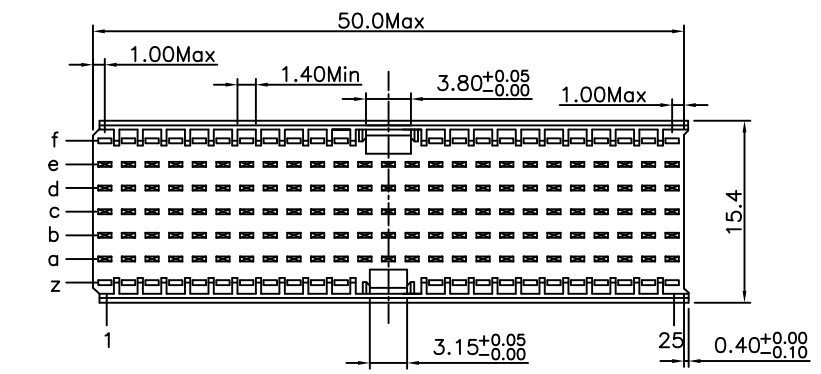
Material:

Housing: Thermoplastic Polyester Glass Filled UL94V-0
 Contacts: Copper Alloy.

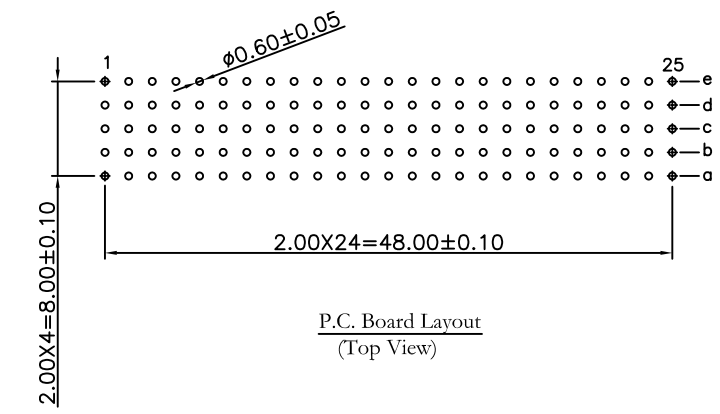
Electrical Characteristics:

Current Rating: 1 AMP.
 Dielectric Withstanding Voltage: AC 750V For 1 minute.
 Insulator Resistance: 10000MΩ min.at DC 500V.
 Contact Resistance: 20mΩ max.at DC 100mA.
 Operating Temperature: -55°C ~ +125°C.

***RoHS Compliant**

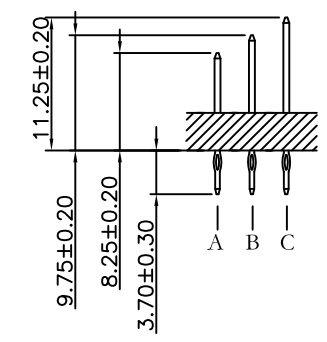


CONTACT LAYOUT



P.C. Board Layout
(Top View)

9111- 7 1 AB 169 P C xx U
 Series: 9111-7
 7Row: 1
 1: Male
 AB: Type AB
 Housing Type: P
 P: P Option
 C: Dip Tin
 xx: Contact Gold
 U: Tube Package
 10: 10 u"
 30: 30 u"
 G: Gold



Tolerances	Dwg. No.	9111D71184	Title:	9111 Series 2.00 Hard Metric Connectors Male Type AB-25	 OUPIN ELECTRONIC(KUNSHAN) CO., LTD. P/N: 9111-71AB169PCxxU
x = ±0.5	Projection		SHEET	1/1	
.x = ±0.25	Unit	mm	Ver.No.		
.xx = ±0.15	Drawn By	Zhu QL 08/15'12	R2		