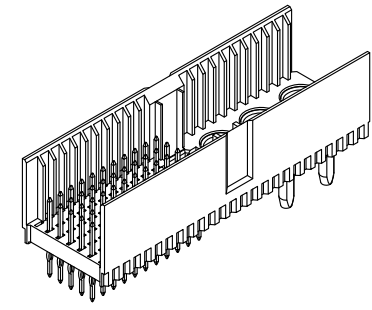
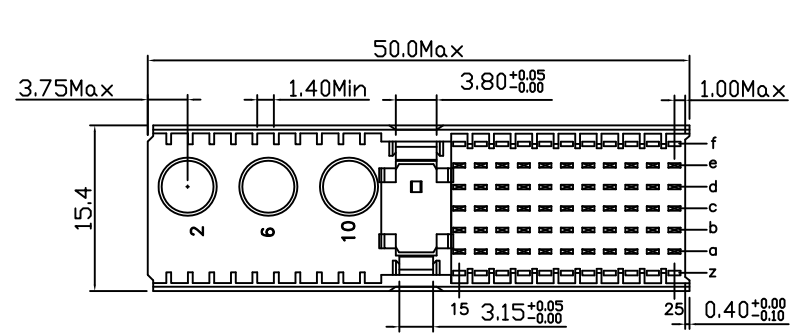


REV.	SPECIFICATION	ECN NO.	APPD.
R3		ECN161013	



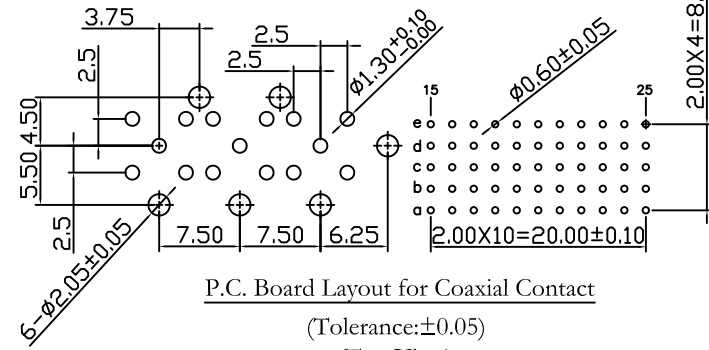
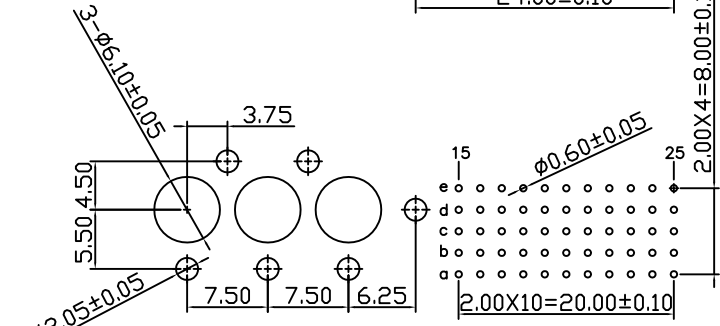
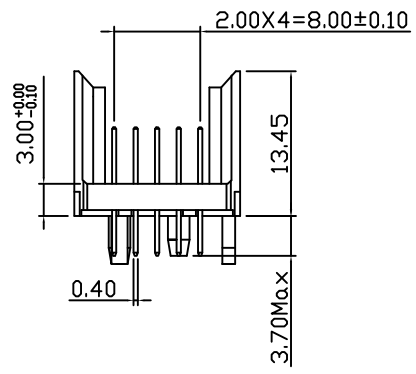
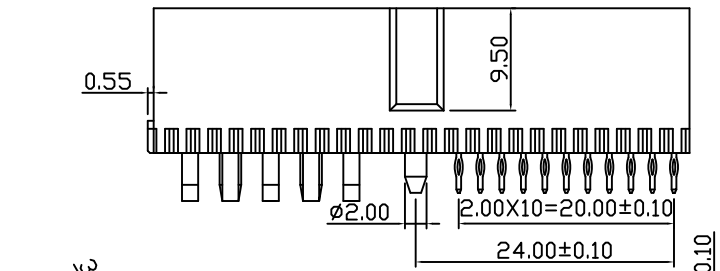
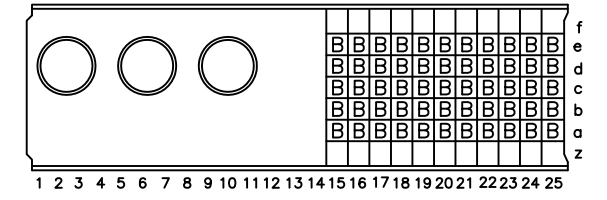
Material:

Housing: Thermoplastic Polyester Glass Filled UL94V-0
 Contacts: Copper Alloy.

Electrical Characteristics:

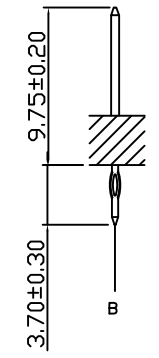
Current Rating: 1 AMP.
 Dielectric Withstanding Voltage: AC 750V For 1 minute.
 Insulator Resistance: 10000MΩ min.at DC 500V.
 Contact Resistance: 20mΩ max.at DC 100mA.
 Operating Temperature: -55°C ~ +125°C.

***RoHS Compliant**



P.C. Board Layout for Power Contact
 (Tolerance:±0.05)
 (Top View)

P.C. Board Layout for Coaxial Contact
 (Tolerance:±0.05)
 (Top View)



9111- 7 1 M 55 C C xx U
 Series 7Row 1: Male M: Type M Housing Type C: C Option
 U: Tube Package
 10: 10 u"
 30: 30 u"
 C: Dip Tin
 Contact Gold
 G: Gold

Tolerances	Dwg. No.	9111D71117		Title:	
x = ±0.5	Projection	⊕ ⊔		9111 Series	
.x = ±0.25	Unit	mm	Scale	2.00 Hard Metric	
.xx = ±0.15	Drawn By	LQ 11/16'16		Connectors Male	
				Type M	

OUPIN			
OUPIN ELECTRONIC(KUNSHAN) CO., LTD.			
P/N: 9111-71M55CCxxU			
SHEET	1/1	Ver.No.	R3