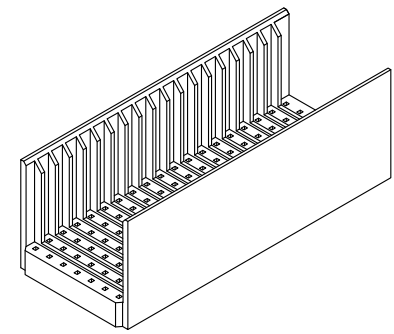
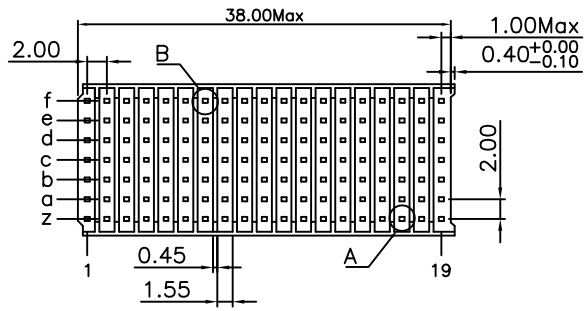
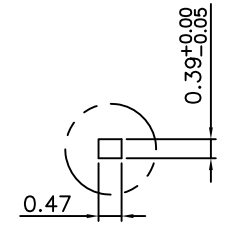
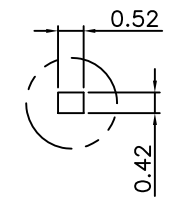
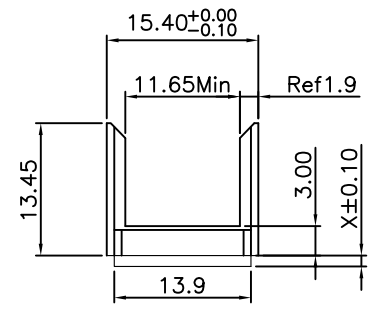
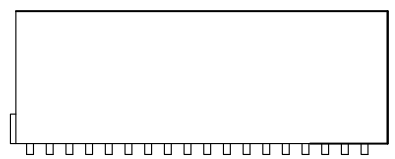


REV.	SPECIFICATION	ECN NO.	APPD.
R1			

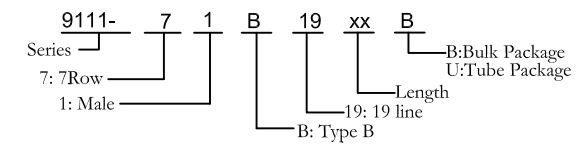
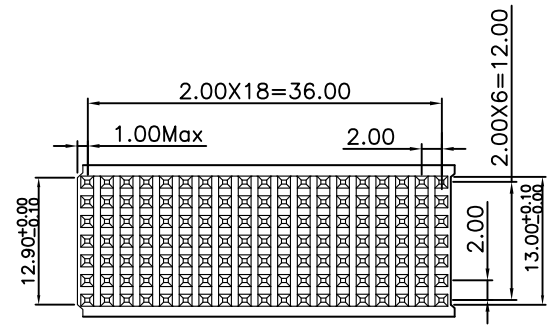


Material:
Housing: Thermoplastic Polyester Glass Filled UL94V-0
Electrical Characteristics:
Operating Temperature: -55°C ~ +125°C .
***RoHS Compliant**



Detail A

(4,5,6,14,15,16P)
Detail B



X	Length
00	0.00
01	0.90
02	1.10
03	1.30
04	1.50
05	1.70
06	1.90
07	2.20
08	3.00

Tolerances x = ±0.5 .x = ±0.25 .xx = ±0.15	Drawn No.	9111D71167		Title: 9111 Series 2.00 Hard Metric connectors shrouds type B Housing					
	Projection								OUPIIN ELECTRONIC(KUNSHAN) CO., LTD. P/N: 9111-71B19xxB
	Unit	mm	Scale		1:1	SHEET	1/1	Ver.No.	
	Drawn By	Emp 05/06/10'							