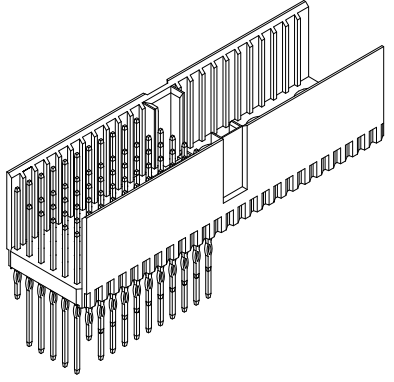
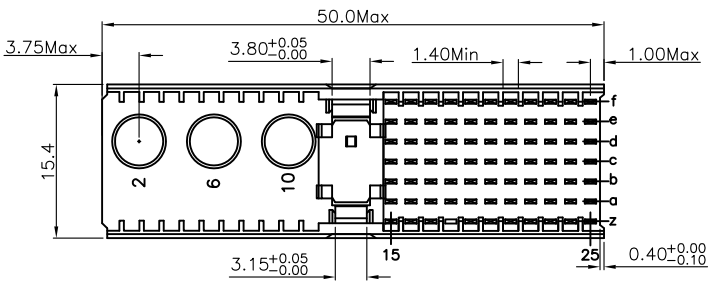


1 2 3 4 5 6 7 8 9

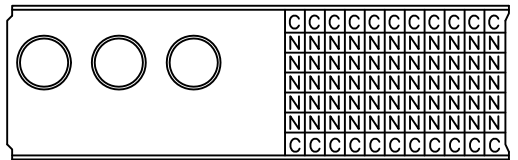
REV.	SPECIFICATION	ECN NO.	APPD.
R3		ECN161013	



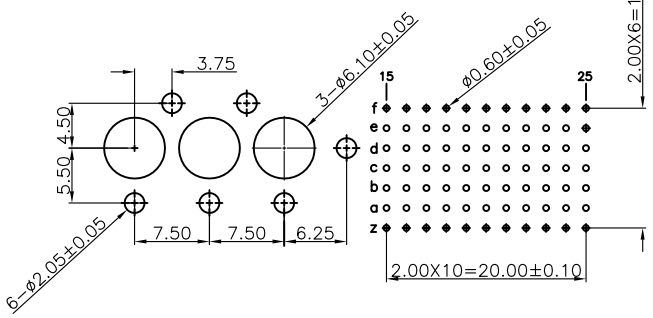
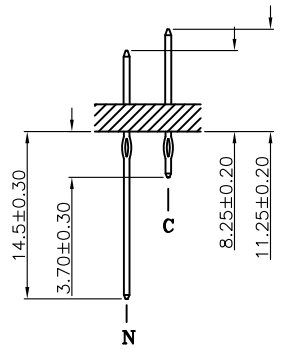
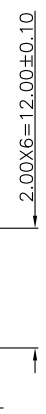
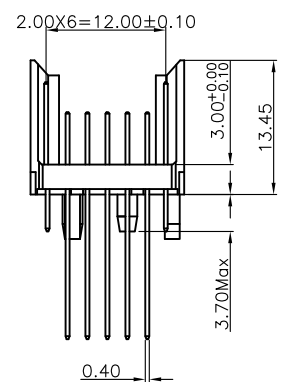
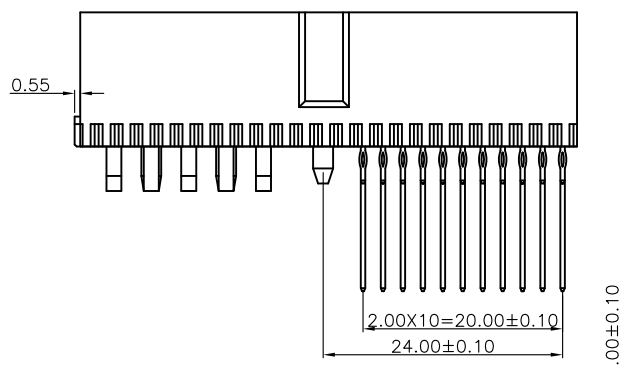
Material:
Housing: Thermoplastic Polyester Glass Filled UL94V-0
Contacts: Copper Alloy

Electrical Characteristics:
Current Rating: 1 AMP.
Dielectric Withstanding Voltage: AC 750V For 1 minute.
Insulator Resistance: 10000MΩ min.at DC 500V.
Contact Resistance: 20mΩ max.at DC 100mA.
Operating Temperature: -55°C ~ +125°C.

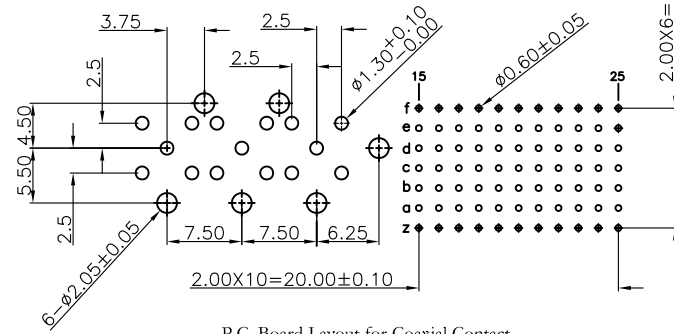
***RoHS Compliant**



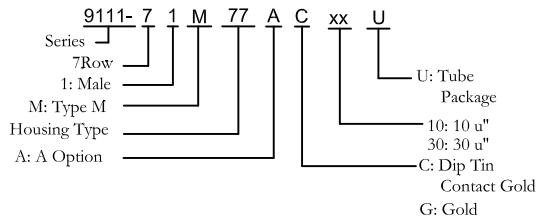
CONTACT LAYOUT



P.C. Board Layout for Power Contact
(Tolerance:±0.05)
(Top View)



P.C. Board Layout for Coaxial Contact
(Tolerance:±0.05)
(Top View)



Tolerances	Dwg. No.	9111D71084		Title:	
x = ±0.5	Projection	⊕ ↗			
.x = ±0.25	Unit	mm	Scale		1:1
.xx = ±0.15	Drawn By	LQ 11/11'16			

9111 Series
2.00 Hard Metric
Connectors Male
Type M



OUPIN ELECTRONIC(KUNSHAN) CO., LTD.

P/N: 9111-71M77ACxxU

SHEET	1/1	Ver.No.	R3
-------	-----	---------	----

1 2 3 4 5 6 7 8 9