

REV.	SPECIFICATION	ECN NO.	APPD.
R1			

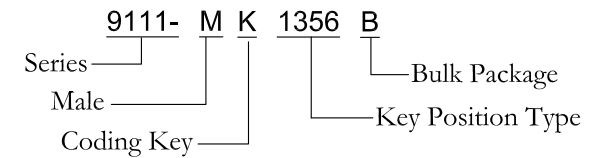
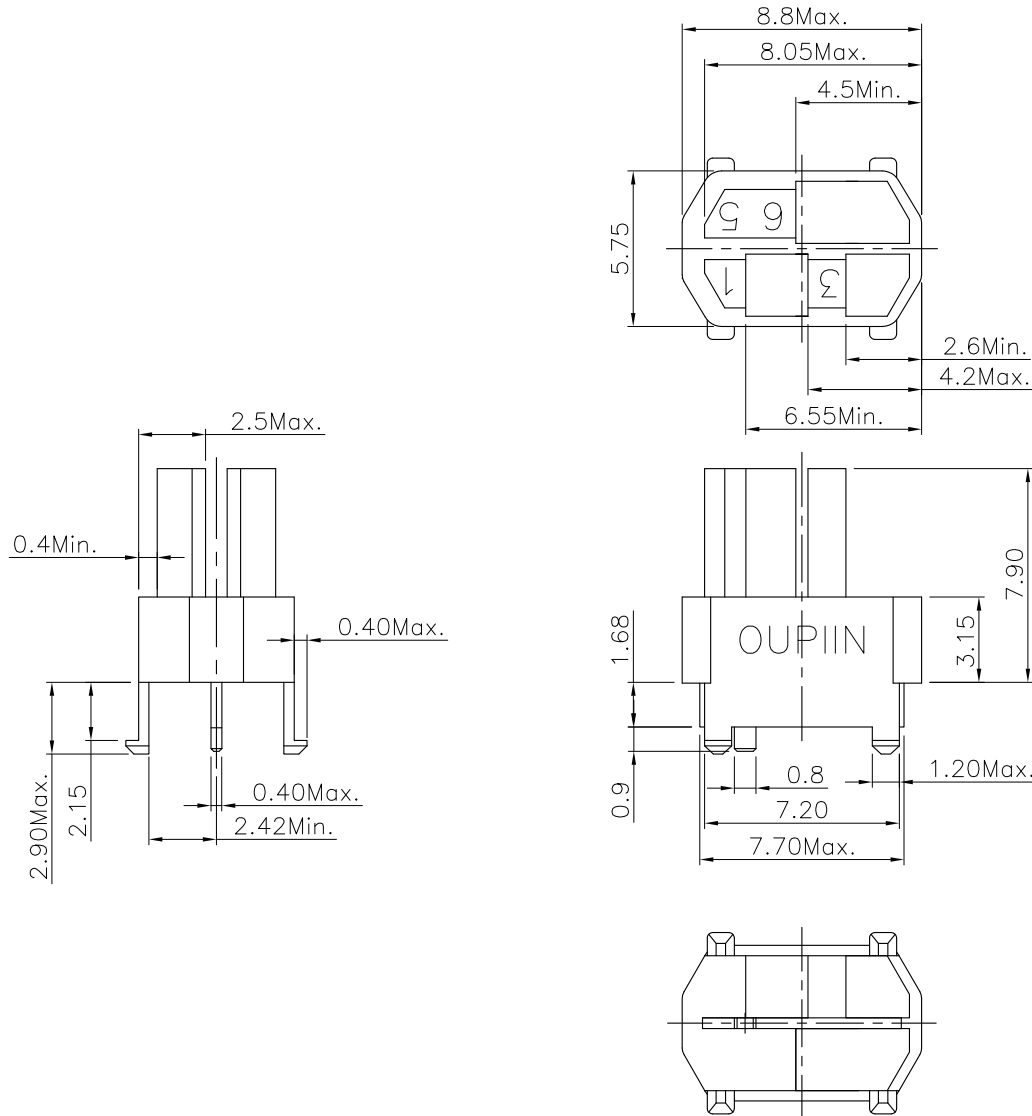
Material:

Housing: 30% Glass Filled PBT UL94V-0.

Electrical Characteristics:

Operating Temperature: -55°C ~+105°C .

***RoHS Compliant**



Tolerances	Drawn No.	9111D01008		Title:
x = ±0.5	Projection	⊕ ⊖		9111 Series
.x = ±0.25	Unit	mm	Scale	
.xx = ±0.15	Drawn By	Liling 01/21'09		Male Coding Key

OUPIN			
OUPIN ELECTRONIC(KUNSHAN) CO., LTD.			
P/N:		9111-MK1356B	
SHEET	1/1	Ver.No.	R1