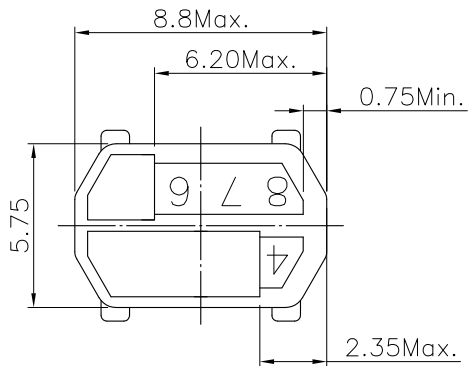
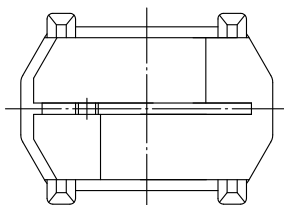
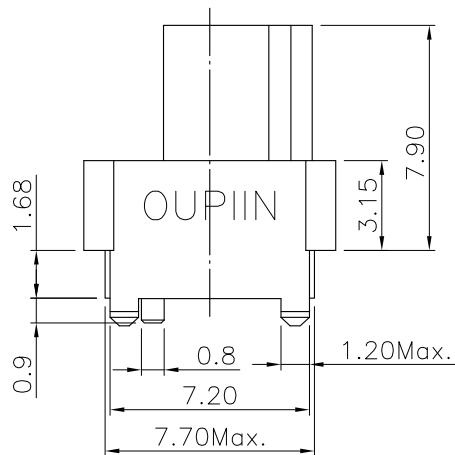
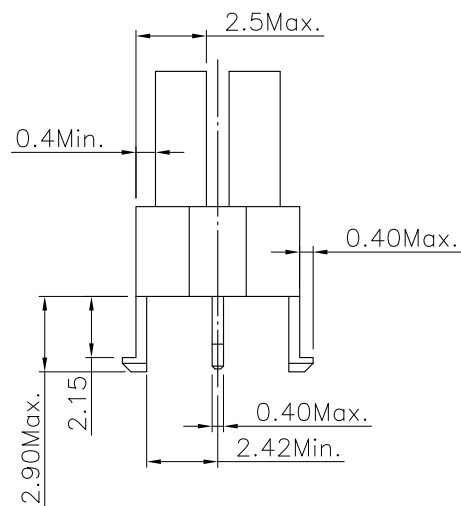



|      |               |         |       |
|------|---------------|---------|-------|
| REV. | SPECIFICATION | ECN NO. | APPD. |
| R1   |               |         |       |



**Material:**  
Housing: 30% Glass Filled PBT UL94V-0.  
**Electrical Characteristics:**  
Operating Temperature: -55°C ~+105°C .  
**\*RoHS Compliant**



**9111- M K 4678 B**  
Series ——— Male ——— Coding Key ——— Bulk Package ——— Key Position Type

|             |            |                 |       |        |  |  |
|-------------|------------|-----------------|-------|--------|--|--|
| Tolerances  | Drawn No.  | 9111D01005      |       | Title: | 9111 Series<br>Male Coding Key   |  |
| x = ±0.5    | Projection | ⊕ ⊖             |       |        | <br><b>OUPIN ELECTRONIC(KUNSHAN) CO., LTD.</b><br>P/N: 9111-MK4678B |  |
| .x = ±0.25  | Unit       | mm              | Scale | 1:1    |  |  |
| .xx = ±0.15 | Drawn By   | Liling 01/21'08 |       |        |  |  |

|       |     |         |    |
|-------|-----|---------|----|
| SHEET | 1/1 | Ver.No. | R1 |
|-------|-----|---------|----|