

REV.	SPECIFICATION	ECN NO.	APPD.
R1			

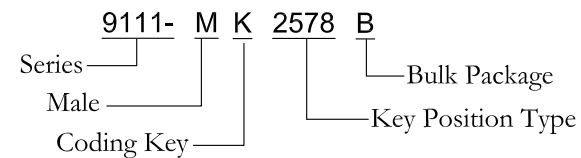
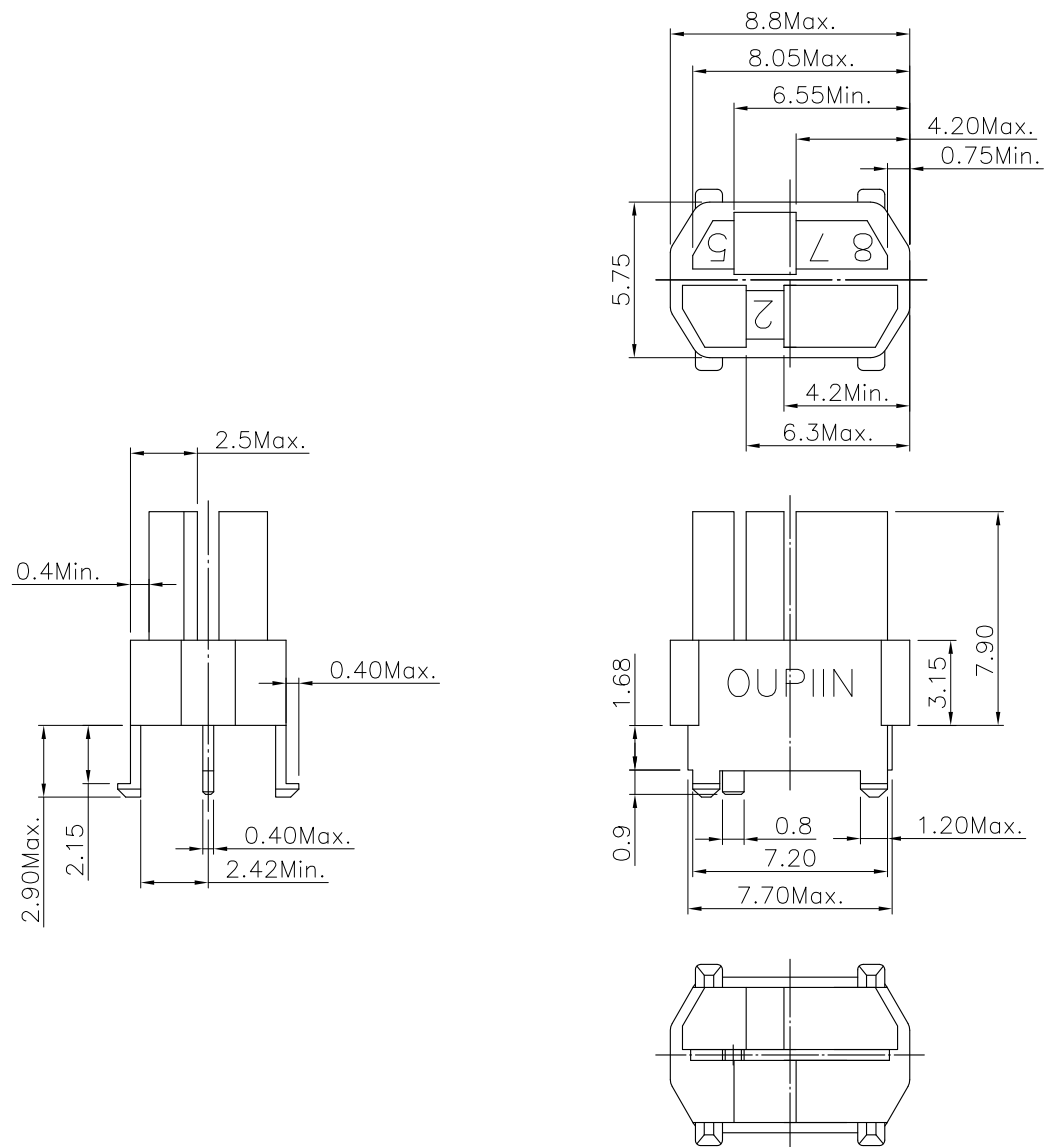
Material:

Housing: 30% Glass Filled PBT UL94V-0.

Electrical Characteristics:

Operating Temperature: -55°C ~+105°C .

***RoHS Compliant**



Tolerances	Drawn No.	9111D01003		Title:	9111 Series Male Coding Key
x = ±0.5	Projection	⊕ ⊖		P/N: 9111-MK2578B	
.x = ±0.25	Unit	mm	Scale		
.xx = ±0.15	Drawn By	Liling 01/21'08		SHEET	

OUPIN			
OUPIN ELECTRONIC(KUNSHAN) CO., LTD.			
P/N: 9111-MK2578B			
SHEET	1/1	Ver. No.	R1