

| | | | |
|------|---------------|-----------|-------|
| REV. | SPECIFICATION | ECN NO. | APPD. |
| R5 | | ECN200514 | |

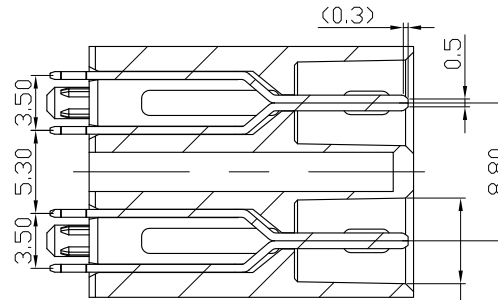
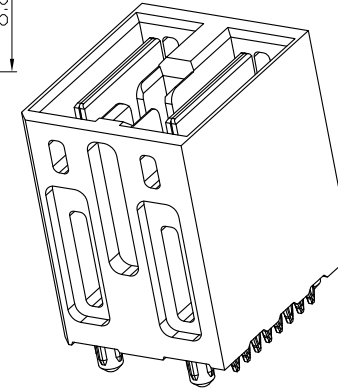
Material and Plating:

Housing: LCP, UL94V-0, Black .
 Power Contacts: High Conductivity Copper.
 30u" Au+Pd/Ni on Contact Area and 80u" Min
 Tin Plated on Press Fit over Nickel 50u" Min.

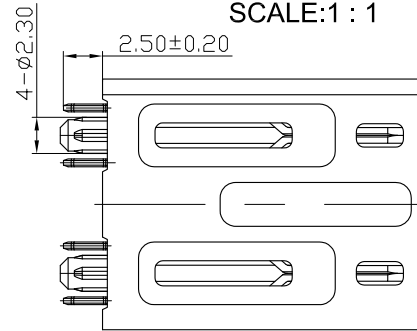
Electrical Characteristics:

Current Rating: Power: 75AMP.
 Dielectric Withstanding Voltage:
 Power: AC 1500V For 1 minute.
 Insulator Resistance:
 Power: 1500MΩ min. at DC 500V.
 Contact Resistance: Power: 0.7mΩ max.
 0.3mΩ min
 Operating Temperature: -55°C ~ +105°C .

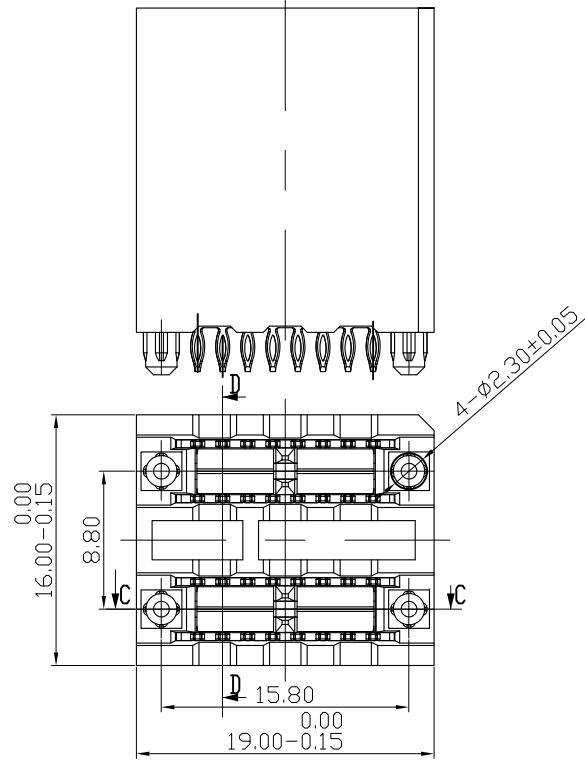
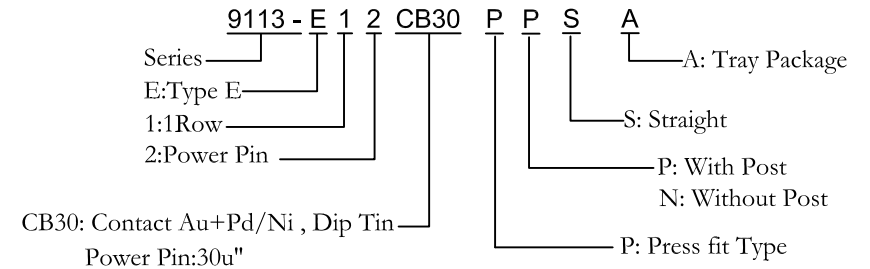
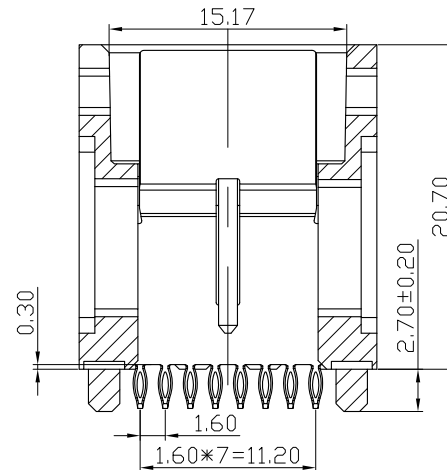
***RoHS Compliant**



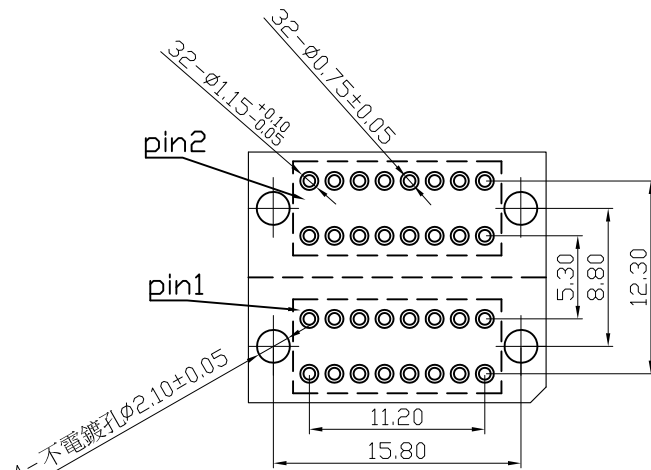
SECTION: D-D
SCALE: 1 : 1



SECTION: C-C
SCALE: 1 : 1



P.C. Board Layout (Press Fit Type)
(Tolerance: ±0.05)



| | | | | | | |
|------------|------------|----------------|-------|--------|--------------------------------|--|
| Tolerances | Dwg. No. | 9113-D0000-009 | | Title: | 9113 Series POWER CONNECTOR | |
| .x=±0.5 | Projection | ⊕ | | | | |
| .xx=±0.25 | Unit | mm | Scale | 1:1 | | |
| .xxx=±0.15 | Drawn By | WQ 05/11'20 | | | | |

| | | | |
|-------------------------------------|-----|---------|----|
| OUPIN | | | |
| OUPIN ELECTRONIC(KUNSHAN) CO., LTD. | | | |
| P/N: 9113-E12CB30PPSA | | | |
| SHEET | 1/1 | Ver.No. | R5 |