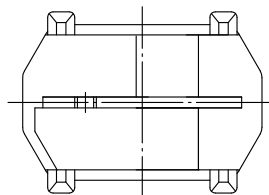
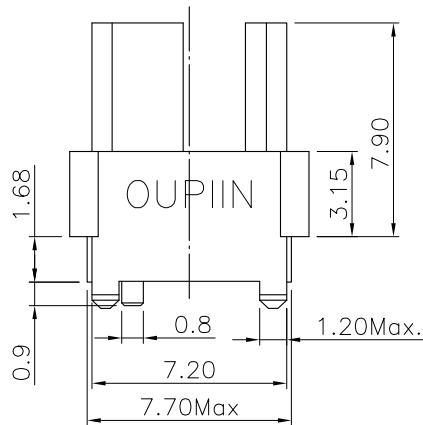
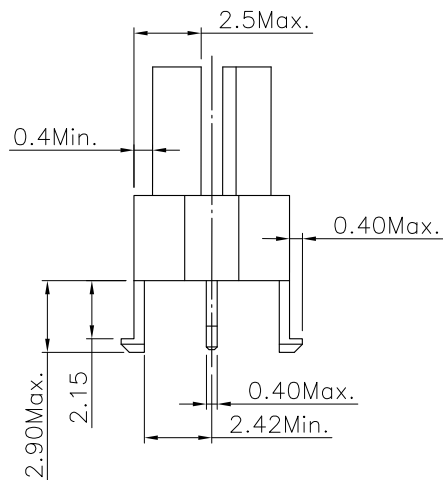
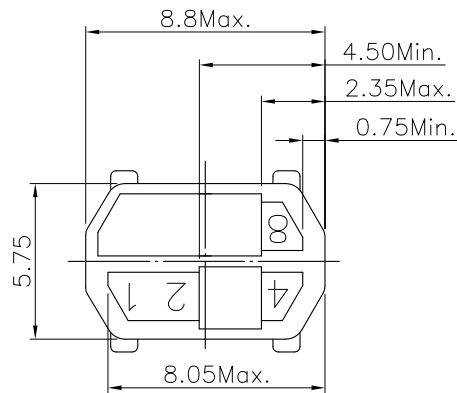


REV.	SPECIFICATION	ECN NO.	APPD.
R1			



**Material:**

Housing: 30% Glass Filled PBT UL94V-0.

**Electrical Characteristics:**

Operating Temperature: -55°C ~+105°C .

**\*RoHS Compliant**

9111- M K 1248 B  
 Series ——— Bulk Package  
 Male ——— Key Position Type  
 Coding Key ———

Tolerances	Drawn No.	9111D01009		Title:	
x = ±0.5	Projection	⊕ ⊖		9111 Series Male Coding Key	
.x = ±0.25	Unit	mm	Scale		1:1
.xx = ±0.15	Drawn By	Liling 01/21'08			

<b>OUPIN</b>			
OUPIN ELECTRONIC(KUNSHAN) CO., LTD.			
P/N: 9111-MK1248B			
SHEET	1/1	Ver.No.	R1