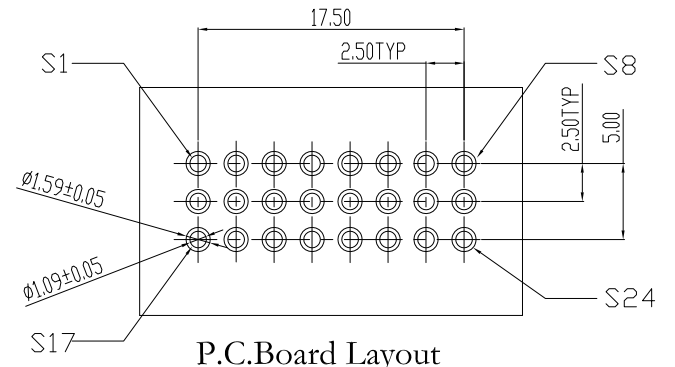
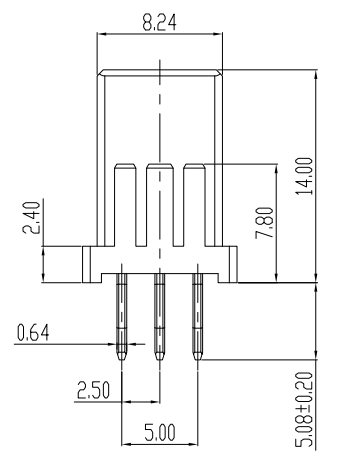
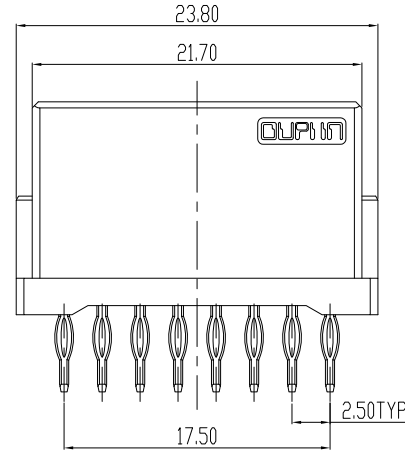
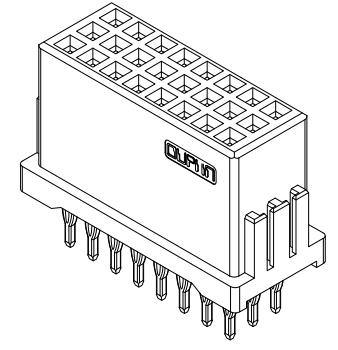
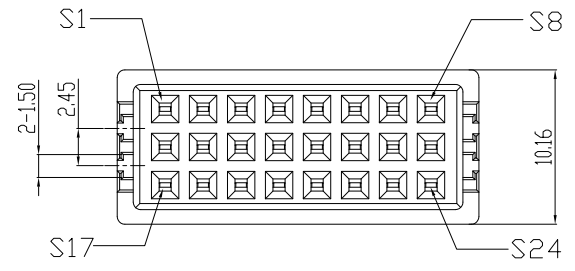


REV.	SPECIFICATION	ECN NO.	APPD.
R1	NEW	ECN20094	

A
B
C
D
E
F
G
H

A
B
C
D
E
F
G
H



P.C.Board Layout
(Tolerance:±0.05)

Material and Plating :

Housing: LCP,UL94V-0 , BLACK.

Contacts: Phosphor Bronze.

30u" Au+Pd/Ni on Contact Area and 80u" Min Tin Plated on Press Fit over 50u" Min Nickel.

Electrical Characteristics:

Current Rating: 3AMP.

Dielectric Withstanding Voltage:

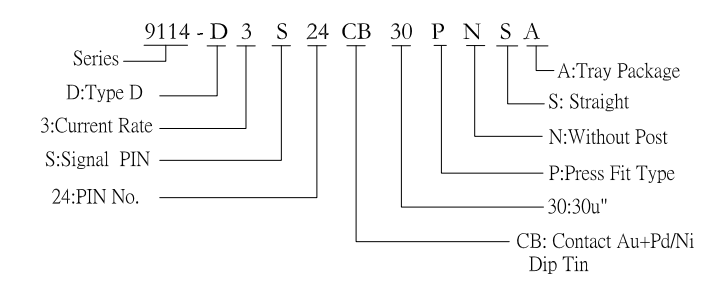
DC 1000V For 1 minute.

Insulator Resistance: 5000MΩ min. at DC 500V.

Contact Resistance: 15.0mΩ max.

Operating Temperature:-40°C~+105°C.

***RoHS Compliant**



Tolerances	Dwg. No.	9114-D0000-020	Title:	
x = ±0.50	Projection		9114 SERIES	
.x = ±0.25	Unit	mm	Scale	1:1
.xx = ±0.15	Drawn By	GYJ 09/15'20	Singal Connector	

OUPIN ELECTRONIC(KUNSHAN) CO., LTD.			
P/N: 9114-D3S24CB30PNSA			
SHEET	1/1	Ver.No.	R1

1 2 3 4 5 6 7 8 9 10 11 12