

REV.	SPECIFICATION	ECN NO.	APPD.
R1		ECN201102	

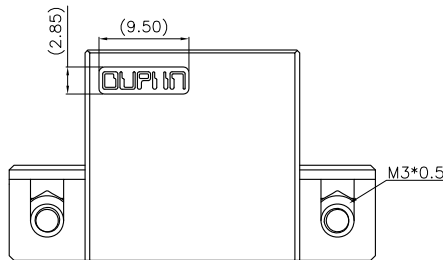
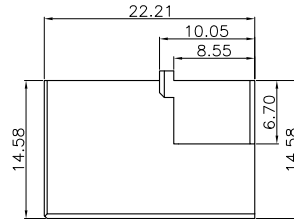
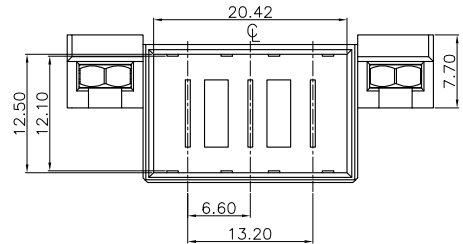
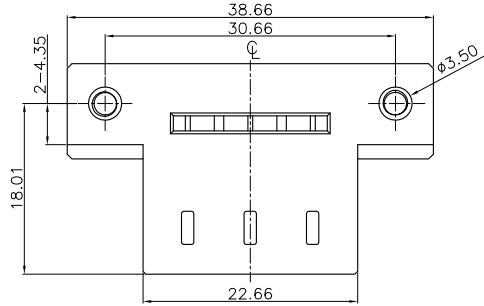
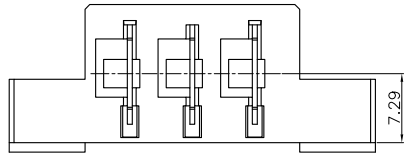
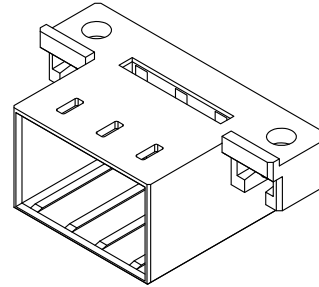
**Material :**

Housing: LCP, UL94V-0 , BLACK.

**Electrical Characteristics:**


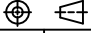
Operating Temperature: -20°C ~+105°C .

**\*RoHS Compliant**



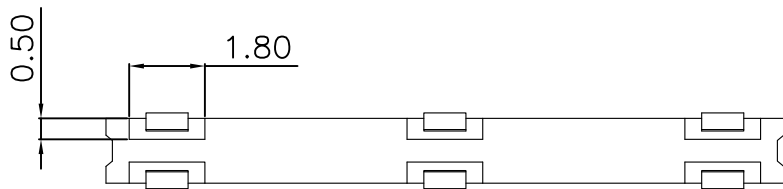
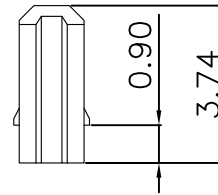
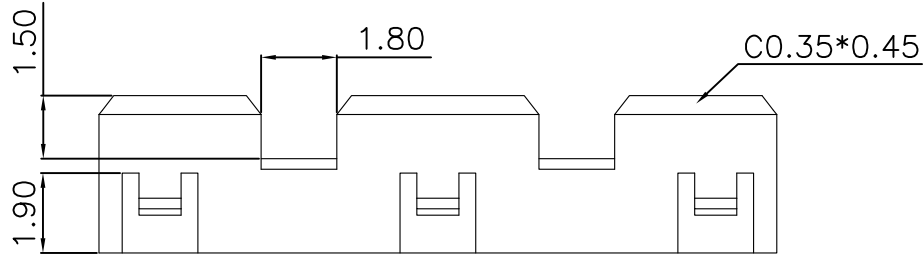
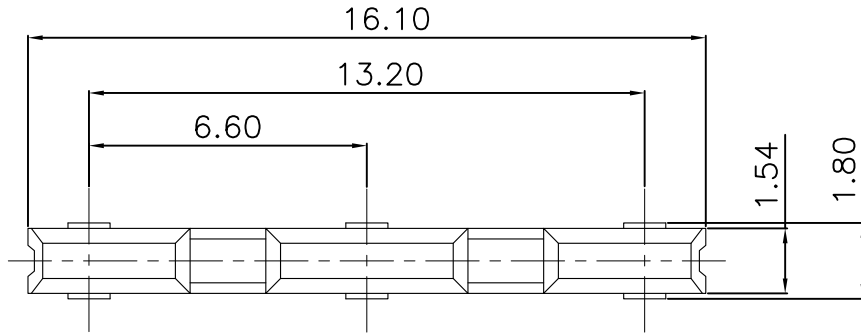
**9390- 3 H 03 H N B**

Series ———— B: Bulk Package  
 3: Male Straight ———— N: Nut  
 H: Power Contact ———— H: Housing  
 6.60mm Pitch ———— 03: 3 of position


Tolerances	Dwg. No.	9390-D0000-004	Title:		 OUPIIN ELECTRONIC(KUNSHAN) CO., LTD. P/N: 9390-3H03HNB			
x = ±0.5	Projection		9390 Series					
.x = ±0.25	Unit	mm	Scale	1:1	SHEET	1/1	Ver. No.	R1
.xx = ±0.15	Drawn By	SH 10/31'20						

REV.	SPECIFICATION	ECN NO.	APPD.
R1		ECN201102	

**Material :**  
Housing: LCP, UL94V-0 , BLACK.  
**Electrical Characteristics:**  
Operating Temperature: -20°C ~+105°C .  
**\*RoHS Compliant**



**9390- KEY01 B**  
Series ———  
Stopper ———  
B: Bulk Package

Tolerances	Dwg. No.	9390-D0000-009		Title:			
x = ±0.5 .x = ±0.25 .xx = ±0.15	Projection	⊕		9390 Series			
	Unit	mm	Scale				
	Drawn By	SH 10/31'20		 OUPIIN ELECTRONIC(KUNSHAN) CO., LTD. P/N: 9390-KEY01B			
SHEET		1/1	Ver. No.	R1			

REV.	SPECIFICATION	ECN NO.	APPD.
R1		ECN201102	

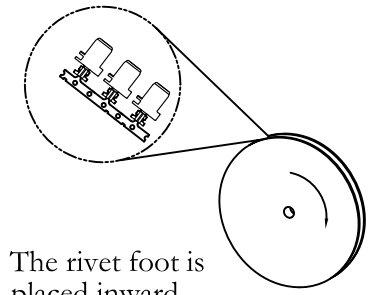
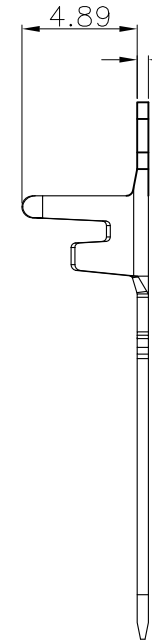
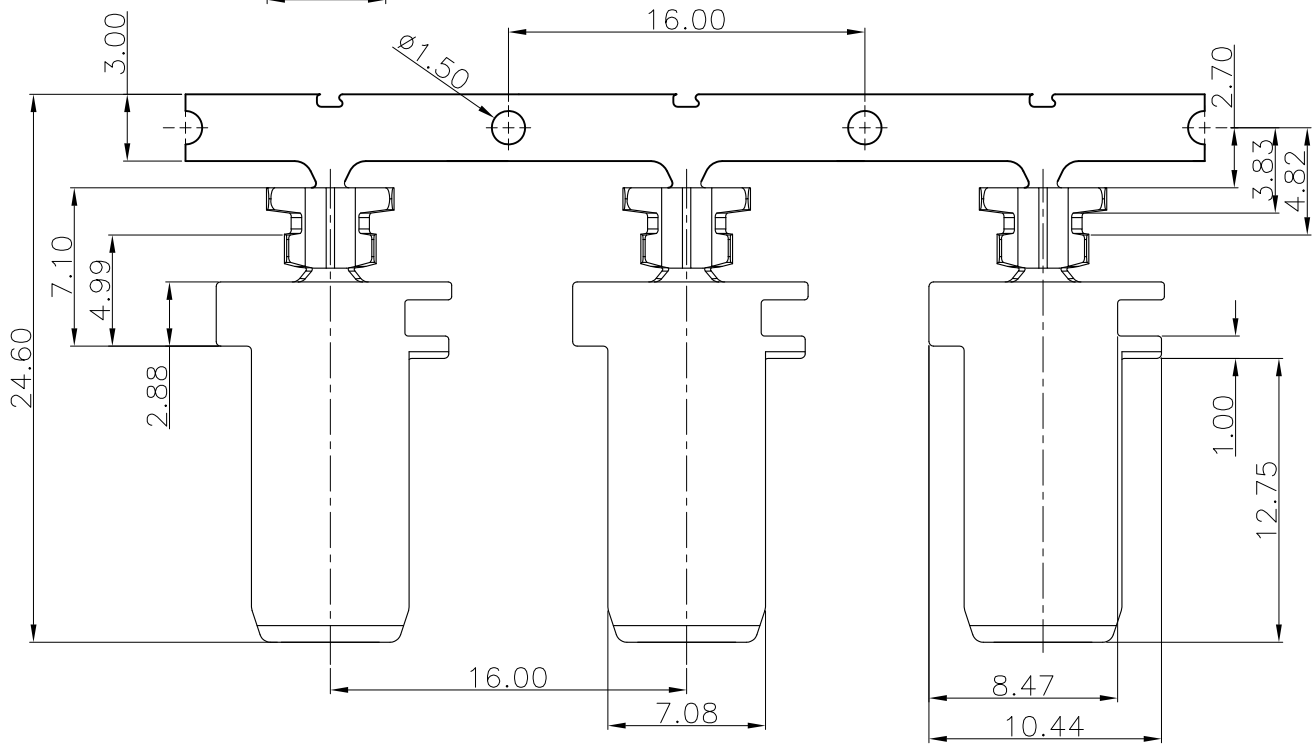
**Material and Plating:**

Power Contacts : High Conductivity Copper  
Gold Plated on Contact Area and 80u"Min Tin  
Plated on solder tail over Nickel 50u"Min.

**Electrical Characteristics:**

Current Rating: Power Pin 15 AMP.

**\*RoHS Compliant**



9390- PIN M 01 C 00 R

Series ——— R:Reel Package  
Terminal ——— 00:G/F  
Male ——— C: Selective Gold Plated  
01: Type 01

Tolerances	Dwg. No.	9390-D0000-007		Title:				
x = ±0.5	Projection	⊕ ⊚		9390				
.x = ±0.25	Unit	mm	Scale					1:1
.xx = ±0.15	Drawn By	SH 10/31'20						
				Series		 OUPIN ELECTRONIC(KUNSHAN) CO., LTD. P/N: 9390-PINM01C00R		
				SHEET	1/1	Ver. No.	R1	

REV.	SPECIFICATION	ECN NO.	APPD.
R2		ECN211115	

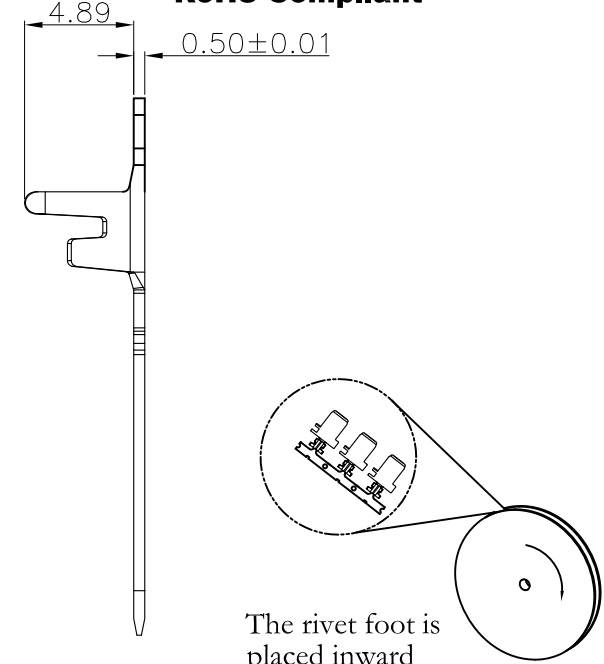
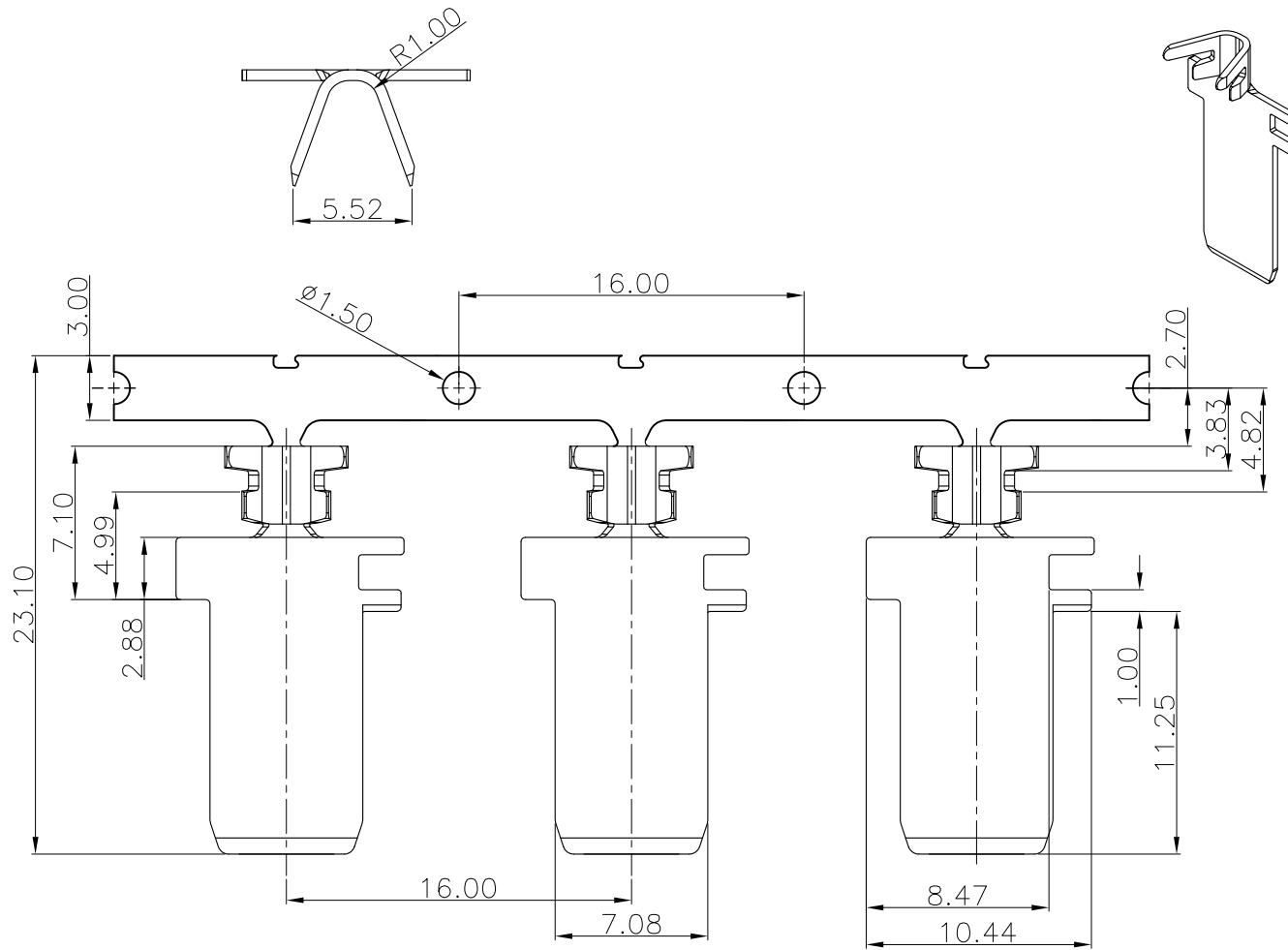
**Material and Plating:**

Power Contacts : High Conductivity Copper  
Gold Plated on Contact Area and 80u"Min Tin  
Plated on solder tail over Nickel 50u"Min.

**Electrical Characteristics:**

Current Rating: Power Pin 15 AMP.

**\*RoHS Compliant**



**9390- PIN M 02 C 00 R**

Series ———  
Terminal ———  
Male ———  
R: Reel Package  
00: G/F  
C: Selective Gold Plated  
02: Type 02

Tolerances	Dwg. No.	9390-D0000-008	Title:		<b>OUPIN</b> OUPIN ELECTRONIC(KUNSHAN) CO., LTD.
x = ±0.5 .x = ±0.25 .xx = ±0.15	Projection		9390 Series		
	Unit	mm	Scale	1:1	P/N: 9390-PINM02C00R
	Drawn By	XS 12/15'21			SHEET 1/1
					Ver. No. R2