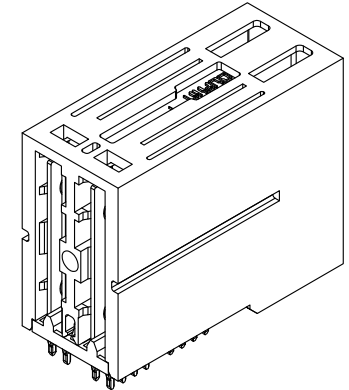
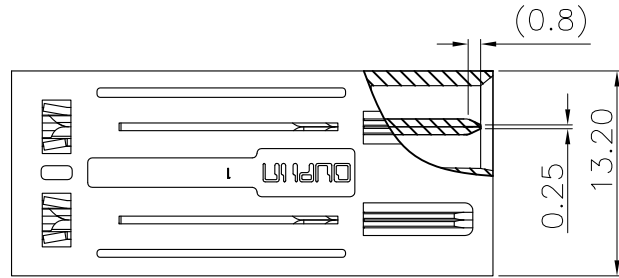


REV.	SPECIFICATION	ECN NO.	APPD.
R4		ECN190140	



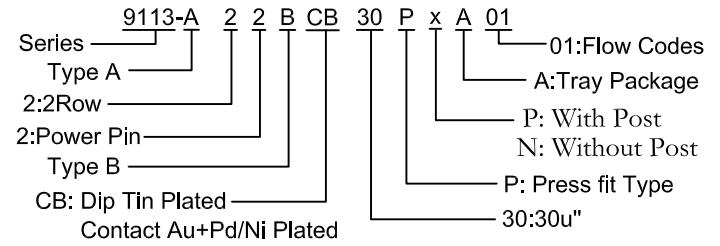
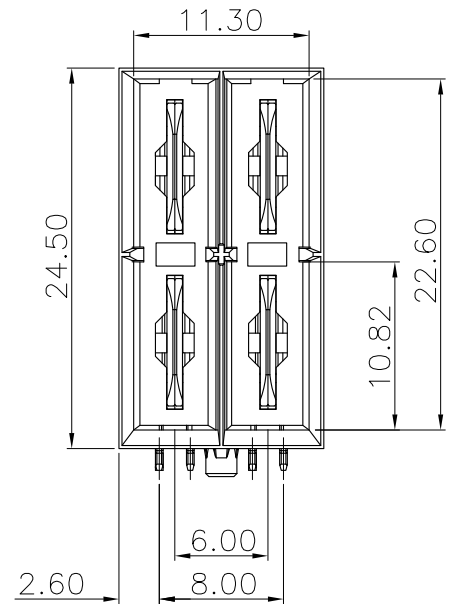
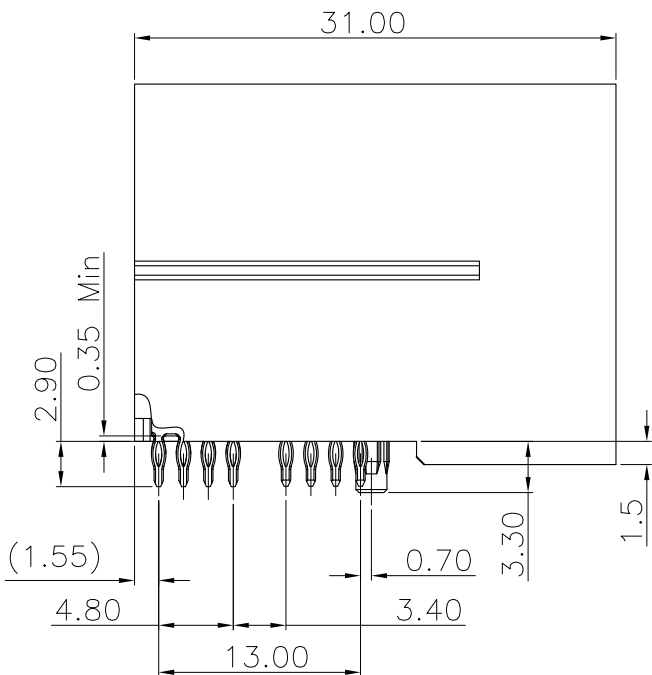
Material and Plating:

Housing: LCP, UL94V-0 , Black.
 Cover: LCP, UL94V-0 , Black.
 Contacts: High Conductivity Copper.
 30u"Au+Pd/Ni on Contact Area and 80u" Min Matte Tin Plated on Press Fit over nickel 50u" Min .

Electrical Characteristics:

Current Rating: 35 AMP(2oz*2) or 45AMP(2oz*4).
 Dielectric Withstanding Voltage: AC 1500V For 1 minute.
 Insulator Resistance: 1500MΩ min. at DC 500V.
 Contact Resistance: 0.5mΩ max.
 Operating Temperature: -55°C~+125°C.

***RoHS Compliant**

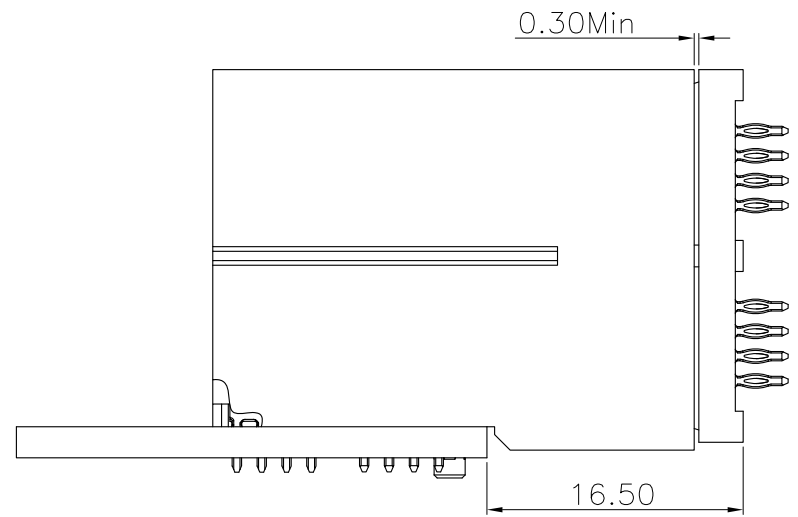
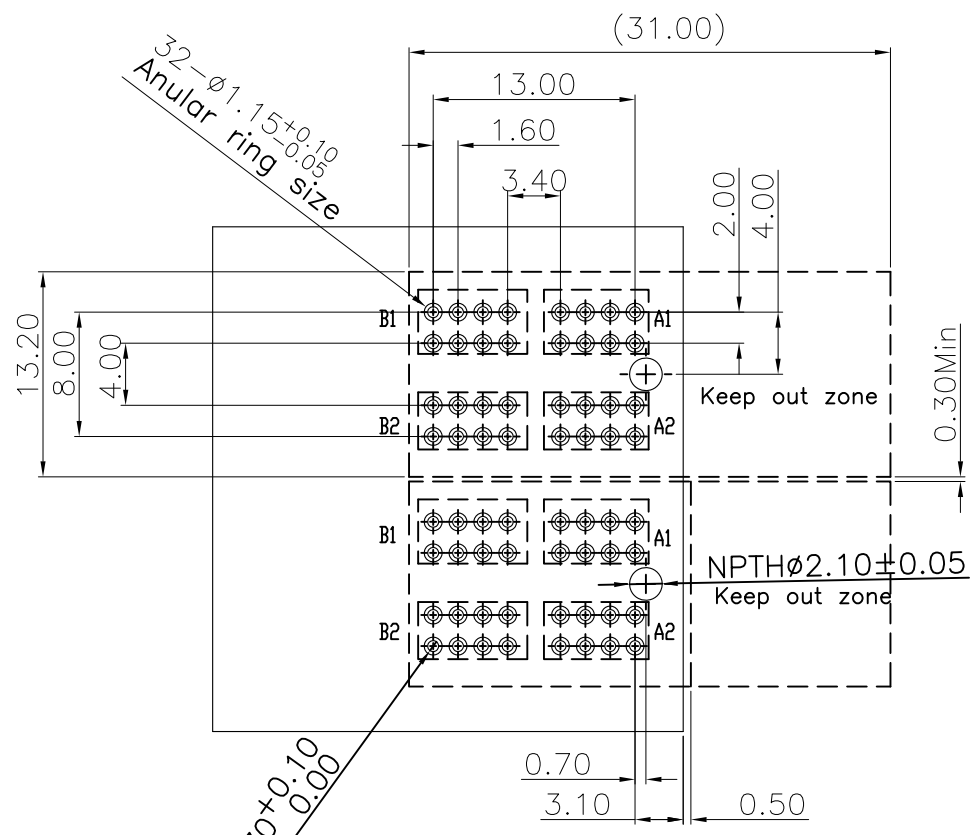


Tolerances	Dwg.No.	9113-D0000-007	
X=±0.50	Projection	⊕ ⊖	
.X=±0.25	Unit	mm	Scale 1:1
.XX=±0.15	Drawn By	dyq 01/21'19	

Title:	9113 Series
	Male power connector

DUPIIN			
DUPIIN ELECTRONIC(KUNSHAN) CO., LTD.			
P/N:	9113-A22BCB30PxA01		
SHEET	1/2	Ver.No.	R4

REV.	SPECIFICATION	ECN NO.	APPD.
R4		ECN190140	



P.C. Board Layout
(Tolerance: ±0.05)

Tolerances	Dwg.No.	9113-D0000-007	
X=±0.50	Projection		
.X=±0.25	Unit	mm	Scale 1:1
.XX=±0.15	Drawn By	dyq 01/21'19	

Title: 9113 Series
Male power connector

DUPIIN ELECTRONIC(KUNSHAN) CO., LTD.			
P/N:	9113-A22BCB30PxA01		
SHEET	2/2	Ver.No.	R4