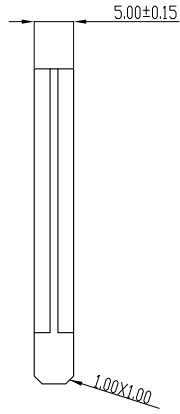
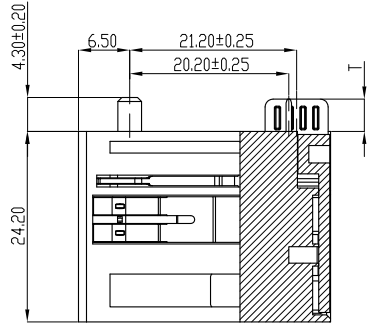


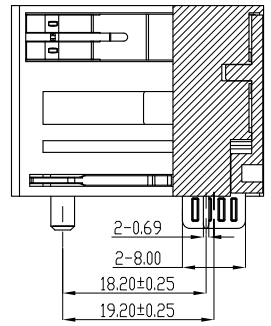
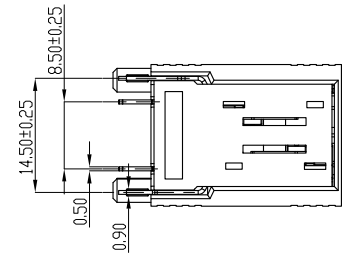
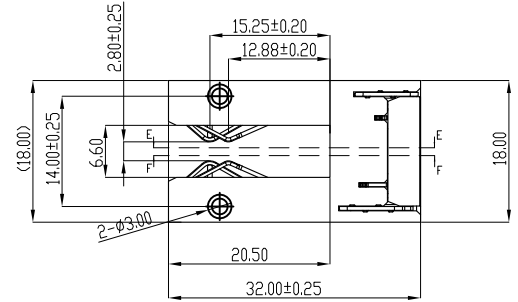
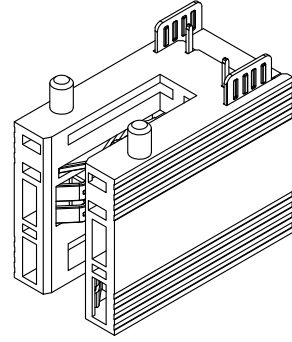
REV.	SPECIFICATION	ECN NO.	APPD.
X5			



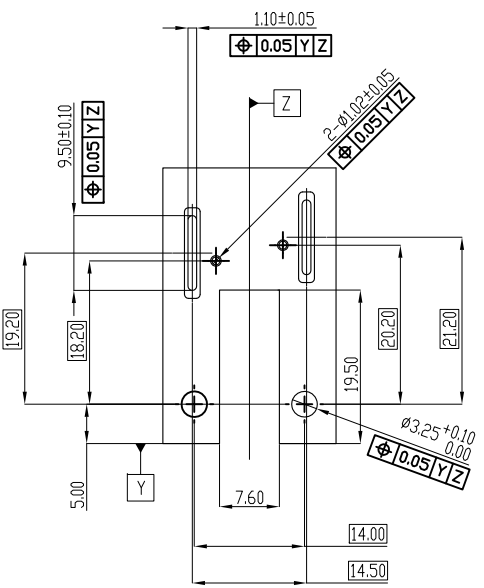
BUSBAR CONNECTOR



Section:F-F
Scale:1:2



Section:E-E
Scale:1:2



P.C. Board Layout
(Tolerance=0.05mm)
THICKNESS:2.80mm Min

Material:

Housing: High Temperature Plastic UL94V-0
Contacts: Copper Alloy.

Electrical Characteristics:

Current Rating: 16AMP (Power) .
1AMP (Signal) .
Dielectric Withstanding Voltage: AC 1000V For 1 minute.
Insulator Resistance: 1500MΩ min. at DC 400V.
Contact Resistance: Power: 5mΩ max.
Signal : 15mΩ max.
Operating Temperature: -40°C ~+105°C .

***RoHS Compliant**

9192-A 4 P02 S02 P x 1 A CB 30 D A
Series
4:Female-Right Angle
2:Female-Straight
P02:Power Number
S02:Signal Number
N:W/O Post
P:With Post=5.0mm
1:DIM T=4.10mm
2:DIM T=3.20mm
1:DIM G(GAP)2.80mm
A:Tray Package
D:Dip type
30: 30μ"
15: 15μ"
CB:Contact Au+Pd/Ni,Dip Tin
C:Selective Gold Plated
G:Gold Plated
A:Power pitch 14.50mm
Signal pitch 8.50mm

P/N	T
9192-A4P02S02P11ADCB30DA	4.10
9192-A4P02S02P21ADCB30DA	3.20

Tolerances	DWG. No.	9192-D0000-002		Title:	
x.=±0.5	Projection	⊕	◁	9192A Series BUSBARClip POWER CONNECTOR	
.x=±0.25	Unit	mm	Scale		1:2
.xx=±0.15	Drawn By	S.guowen07/13/15			

OUPIN
OUPIN ELECTRONIC(KUNSHAN) CO., LTD.
P/N:9192-A4P02S02P1ADCB30DA
SHEET 1/1 Ver.No. X5