

REV.	SPECIFICATION	ECN NO.	APPD.
R5		ECN150629	

Material:

Housing: Lcp, UL94V-0 .
 Power Contacts: C18080
 Signal Contacts: Copper Alloy.

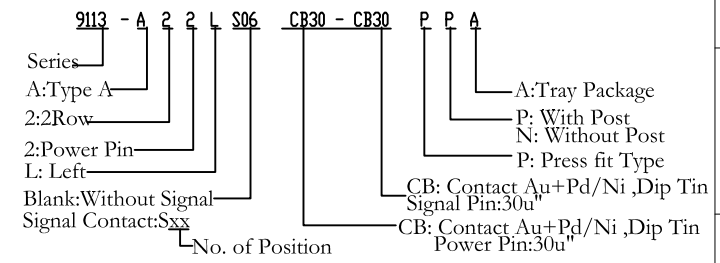
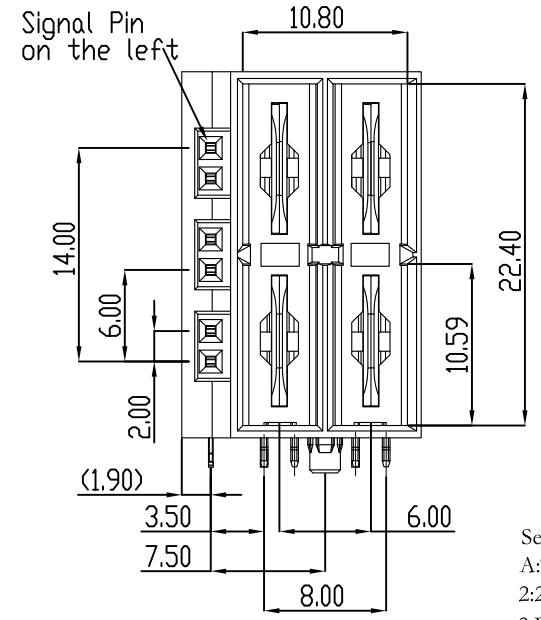
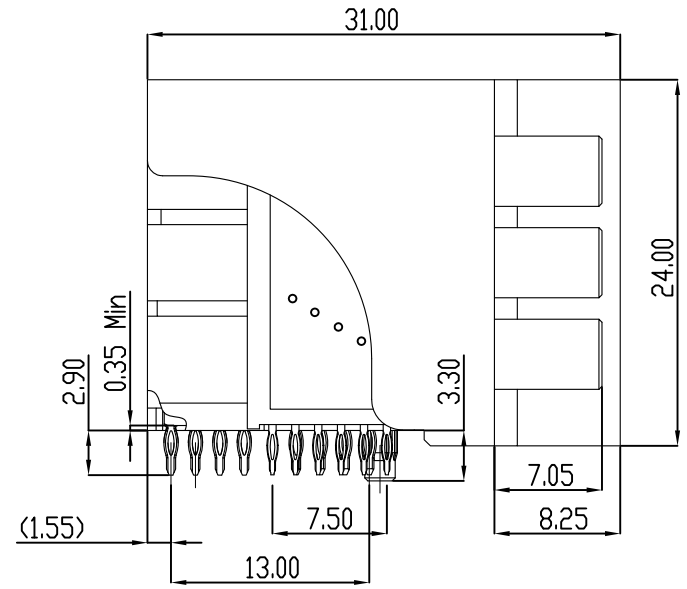
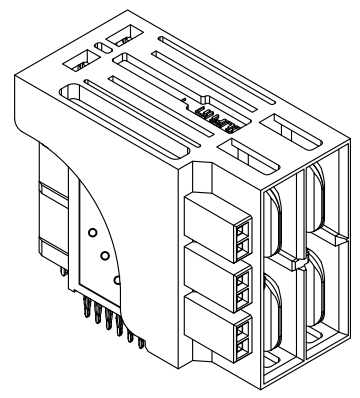
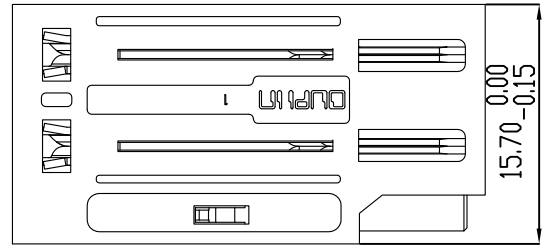
Electrical Characteristics:

Current Rating: Power: 35 AMP (2oz*2); 45AMP (2oz*4)
 Signal: 1AMP.
 Dielectric Withstanding Voltage:
 Power: AC 1500V For 1 minute.
 Signal: AC 750V For 1 minute.
 Insulator Resistance: Power: 1500MΩ min. at DC 500V.
 Signal: 1000MΩ min. at DC 500V.
 Contact Resistance: Power: 0.5mΩ max.
 Signal: 30mΩ max.
 Operating Temperature: -55°C ~ +125°C.

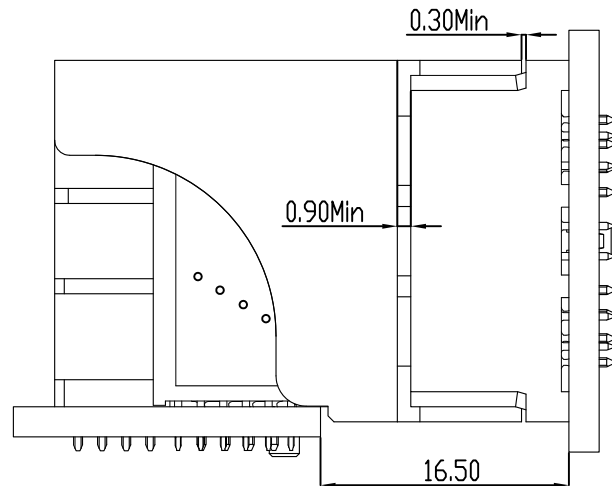
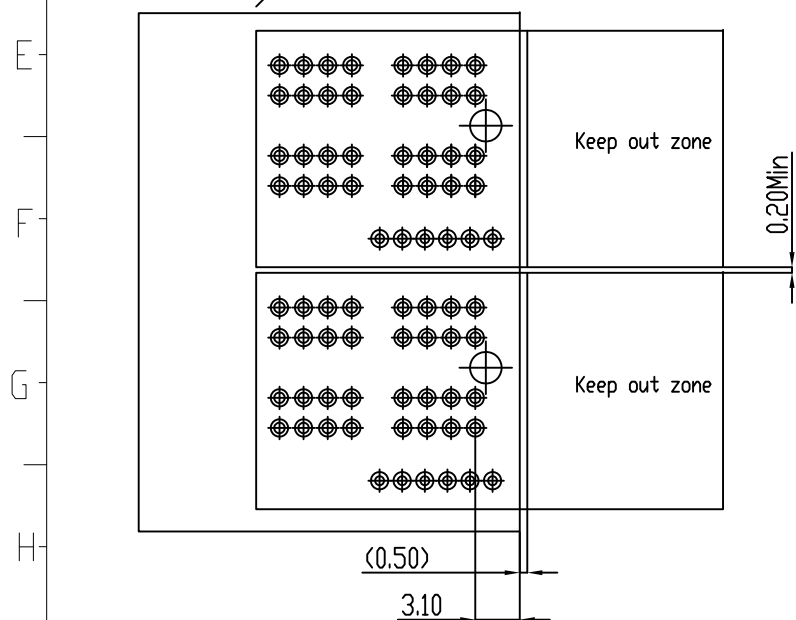
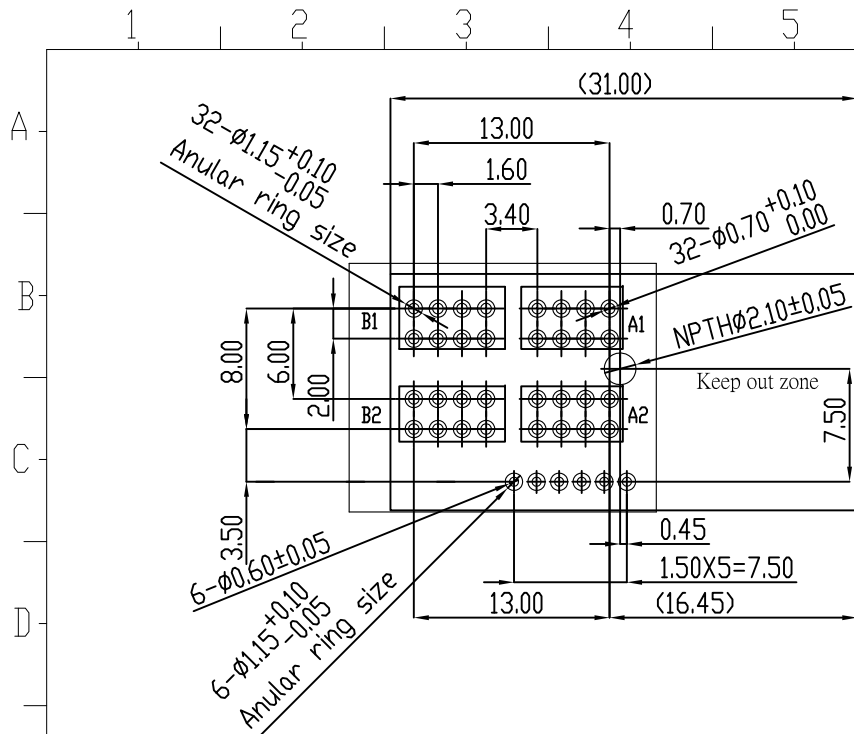
***RoHS Compliant**

Plating:

Terminal: Contact Area: Gold Flash over minimum Au(3u") + Pd/Ni (27u")
 Press Fit: Matte Tin Plating: 80~160u"



Tolerances	Dwg.No.	9113-D0000-003	Title:		DUPIIN DUPIIN ELECTRONIC(KUNSHAN) CO., LTD.	
X=±0.50	Projection		9113 Series male Power + Signal Connect			
.X=±0.25	Unit	mm				Scale
.XX=±0.15	Drawn By	WLL 07/28'15	SHEET	1/2	Ver.No.	R5



REV.	SPECIFICATION	ECN NO.	APPD.
R5		ECN150629	

Material:

Housing: Lcp, UL94V-0 .
 Power Contacts:C18080
 Signal Contacts:Copper Alloy.


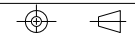
Electrical Characteristics:

Current Rating: Power:35 AMP(2oz*2);45AMP(2oz*4)
 Signal:1AMP.
 Dielectric Withstanding Voltage:
 Power:AC 1500V For 1 minute.
 Signal:AC 750V For 1 minute.
 Insulator Resistance: Power:1500MΩ min. at DC 500V.
 Signal:1000MΩ min. at DC 500V.
 Contact Resistance: Power: 0.5mΩ max.
 Signal: 30mΩ max.
 Operating Temperature: -55°C~+125°C.

***RoHS Compliant**

Plating:

Terminal: Contact Area:Gold Flash over
 minimum Au(3u")+Pd/Ni (27u")
 Press Fit: Matte Tin Plating:80~160u"

Tolerances	Dwg.No.	9113-D0000-003	Title:	 DUPIN ELECTRONIC(KUNSHAN) CO., LTD. P/N: 9113-A22LS06CB30-CB30PPA
X=±0.50	Projection		9113 Series	
.X=±0.25	Unit	mm	Scale 1:1	
.XX=±0.15	Drawn By	WLL 07/28'15	male Power + Signal Connect	SHEET 2/2
				Ver.No. R5