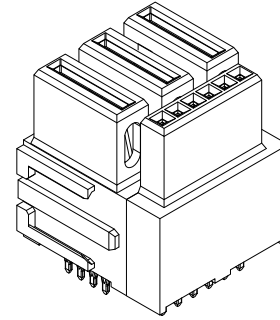
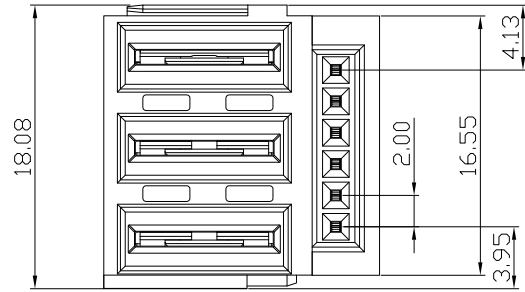


REV.	SPECIFICATION	ECN NO.	APPD.
R2		ECN190140	



Material and Plating:

Housing: LCP, UL94V-0, Black.

Cover: LCP, UL94V-0, Black.

Power Contacts: High Conductivity Copper.

30u" Au+Pd/Ni on Contact Area and 80u" Min Matte Tin Plated on Press Fit over nickel 50u" Min .

Signal Contact: Phosphor bronze.

30u" Au+Pd/Ni on Contact Area and 80u" Min Matte Tin Plated on Press Fit over nickel 50u" Min .

Electrical Characteristics:

Current Rating: Power: 20AMP;

Signal: 1AMP.

Dielectric Withstanding Voltage:

Power: AC 1500V For 1 minute.

Signal: AC 750V For 1 minute

Insulator Resistance: Power: 1500MΩ min. at DC 500V.

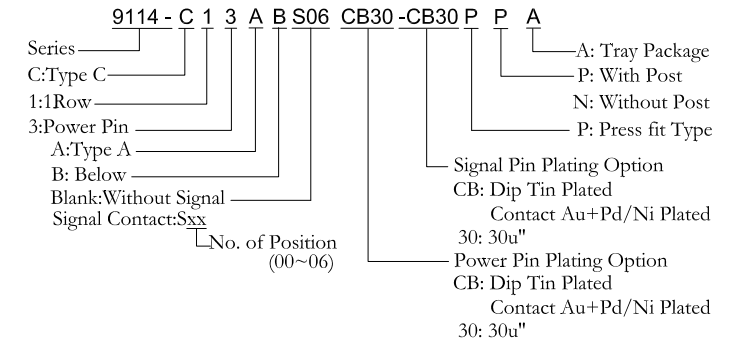
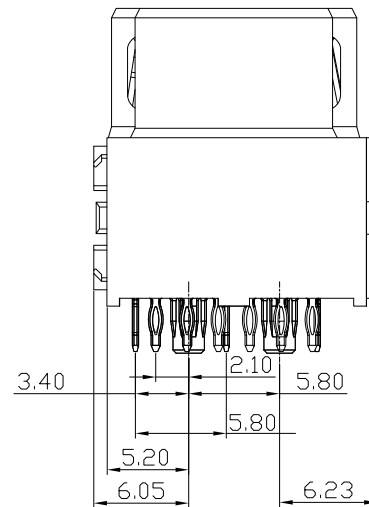
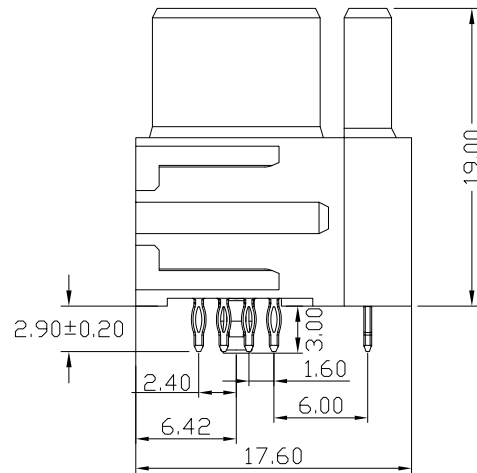
Signal: 1000MΩ min. at DC 500V.

Contact Resistance: Power: 1mΩ max.

Signal: 30mΩ max.

Operating Temperature: -25°C ~ +105°C .

***RoHS Compliant**

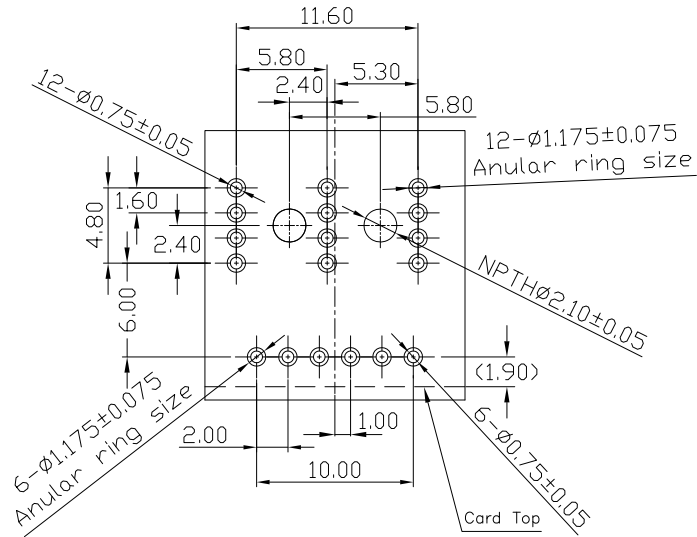


Tolerances	Dwg. No.	9114-D0000-007	
.x=±0.5	Projection	⊕ ⊖	
.xx=±0.25	Unit	mm	Scale 1:1
.xxx=±0.15	Drawn By	dyq 01/23/19	

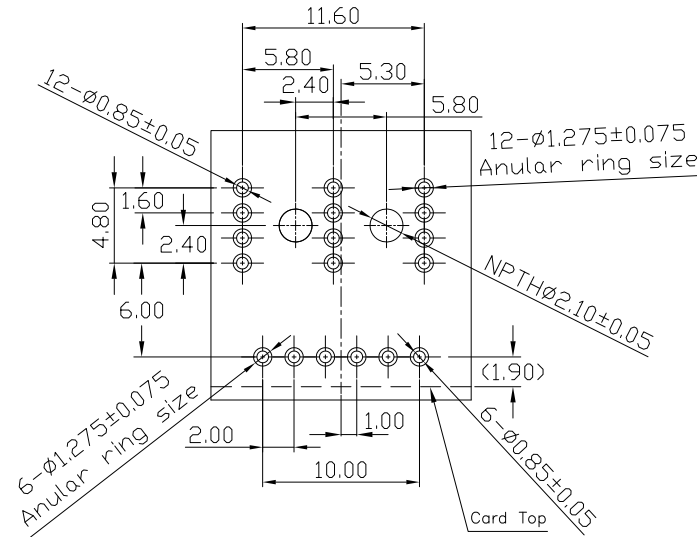
Title: 9114 Series
HVDC POWER
EDGE CONNECTOR

OUPIN			
OUPIN ELECTRONIC(KUNSHAN) CO., LTD.			
P/N: 9114-C13ABS06CB30-CB30PPA			
SHEET	1/2	Ver.No.	R2

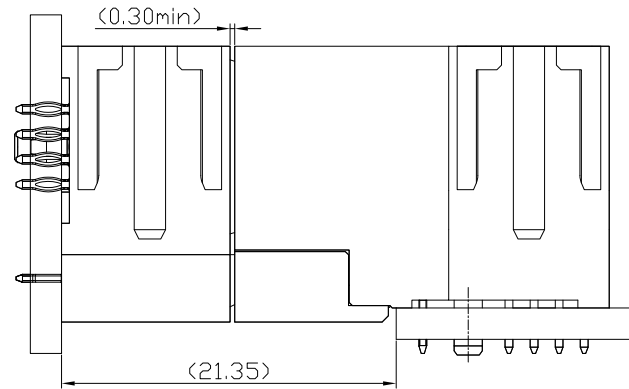
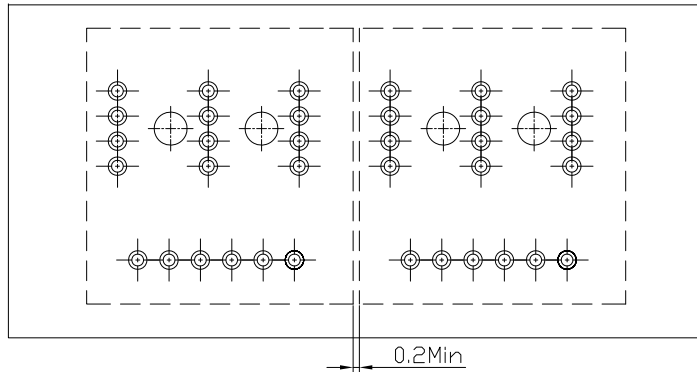
REV.	SPECIFICATION	ECN NO.	APPD.
R2		ECN190140	



P.C. Board Layout (Press Fit Type)
(Tolerance: ±0.05)



P.C. Board Layout (Dip Type)
(Tolerance: ±0.05)



Tolerances .x=±0.5 .xx=±0.25 .xxx=±0.15	Dwg. No.	9114-D0000-007		Title: 9114 Series HVDC POWER EDGE CONNECTOR	 OUPIIN ELECTRONIC(KUNSHAN) CO., LTD. P/N: 9114-C13ABS06CB30-CB30PPA				
	Projection								
	Unit	mm	Scale		1:1	SHEET	2/2	Ver.No.	R2
	Drawn By	dyq 01/23/19							