

REV.	SPECIFICATION	ECN NO.	APPD.
R4		ECN220326	

Material and Plating:

Housing: LCP, UL94V-0, BLACK.

Power Contacts: High Conductivity Copper.

5u" gold plated on Contact Area and 80u" min Tin Plated on Solder Tail over nickel 50u" min .

Electrical Characteristics:

Current Rating: UL Certified 12.5A, UL/CSA certified 7A.

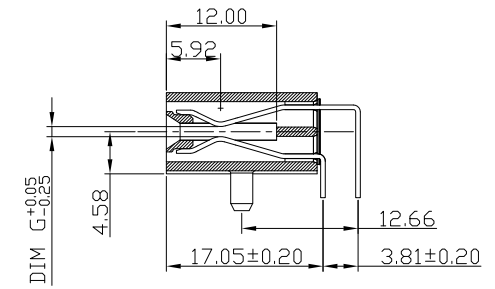
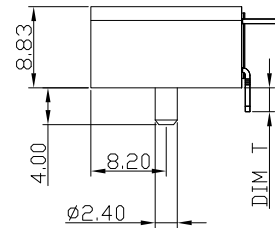
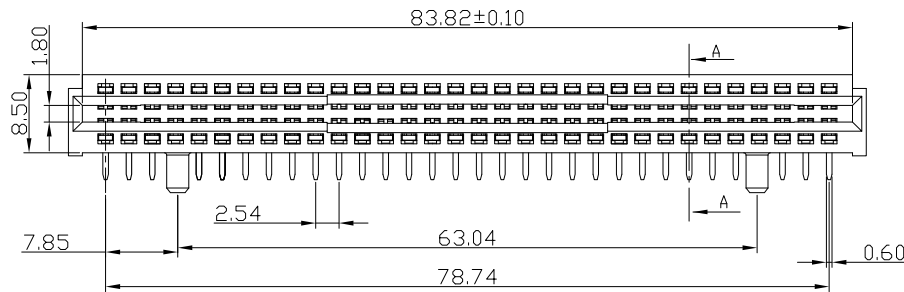
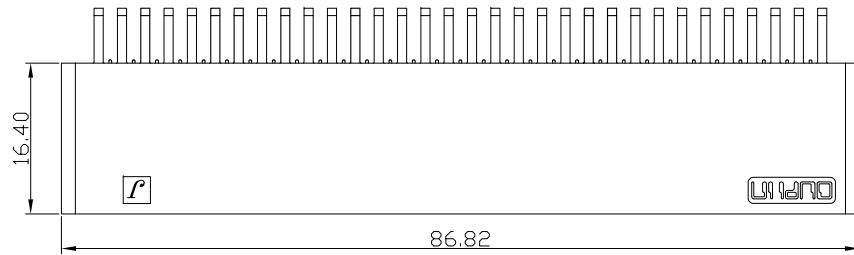
Dielectric Withstanding Voltage: AC 1000V For 1 minute.

Insulator Resistance: 5000MΩ min. at DC 500V.

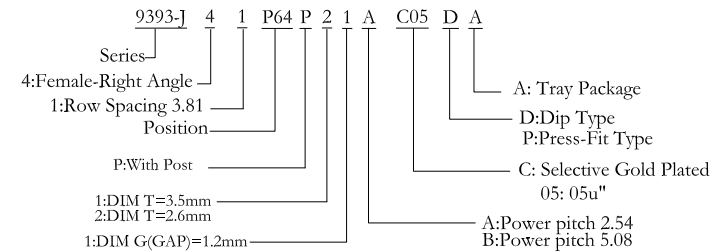
Contact Resistance: 2.5mΩ max. at DC 100mA.


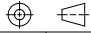
Operating Temperature: -55°C ~+105°C .

***RoHS Compliant**

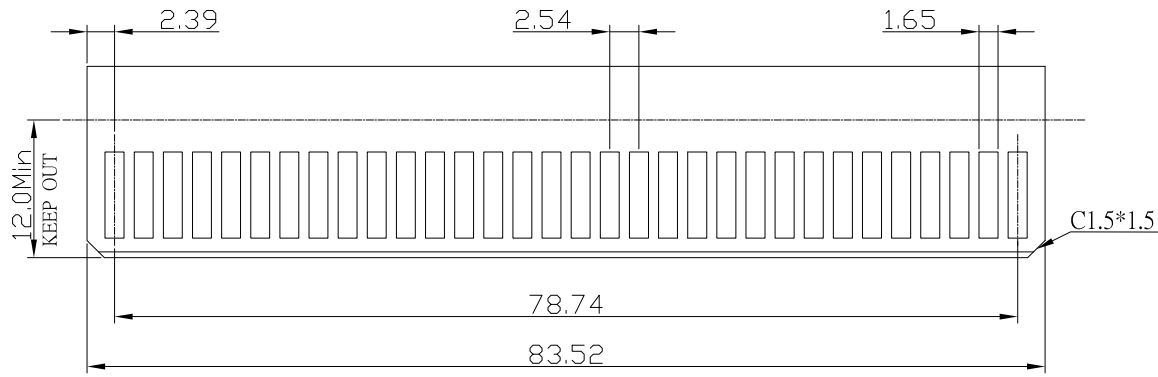


SECTION A-A

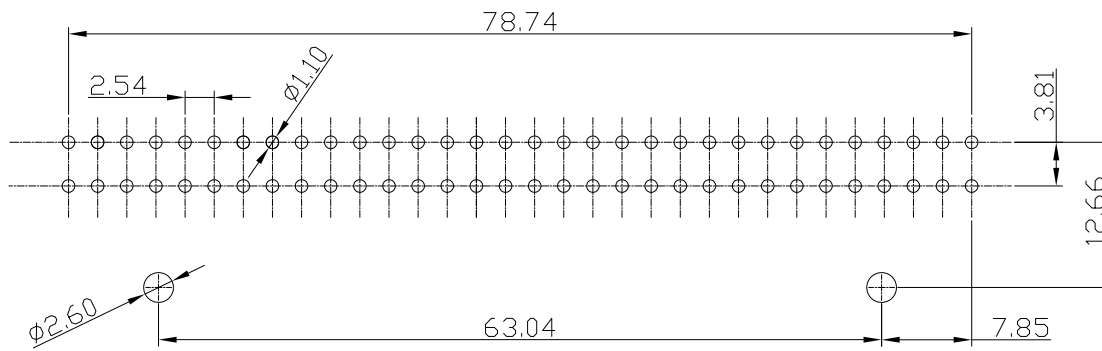
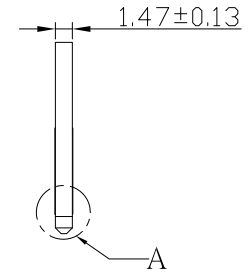


Tolerances	Dwg. No.	9393-D0000-054	Title:		 OUPIN ELECTRONIC(KUNSHAN) CO., LTD. P/N: 9393-J41P64P21AC05DA			
x = ±0.5	Projection		9393-J Series					
.x = ±0.25	Unit	mm	Scale	1:1	SHEET			
.xx = ±0.15	Drawn By	XS 03/16'22	Power Edge Connector		1/2	Ver. No.	R4	

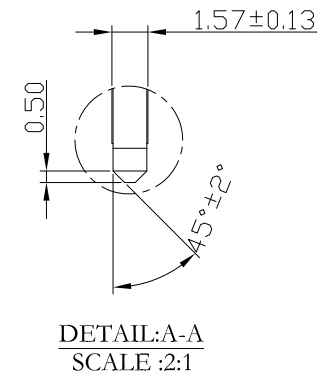
REV.	SPECIFICATION	ECN NO.	APPD.
R4		ECN220326	



RECOMMENDED MATTING BOARD FOOTPRINT
(Tolerance: ±0.05)



P.C. Board Layout
(Tolerance: ±0.05) (Top View)



Tolerances	Dwg. No.	9393-D0000-054		Title:	
x = ±0.5	Projection			9393-J Series Power Edge Connector	
.x = ±0.25	Unit	mm	Scale		1:1
.xx = ±0.15	Drawn By	XS 03/16'22			

Title:			
9393-J Series Power Edge Connector			

OUPIN			
OUPIN ELECTRONIC(KUNSHAN) CO., LTD.			
P/N: 9393-J41P64P21AC05DA			
SHEET	2/2	Ver. No.	R4