

# 歐品電子(昆山)有限公司

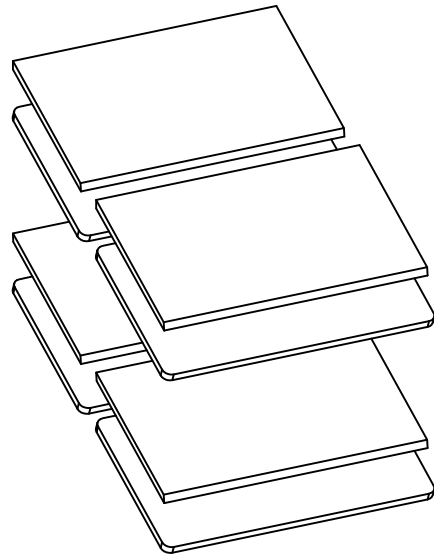
OUPIIN ELECTRONIC(KUNSHAN) CO.,LTD.

PACKAGING SPECIFICATION (包裝作業規範)

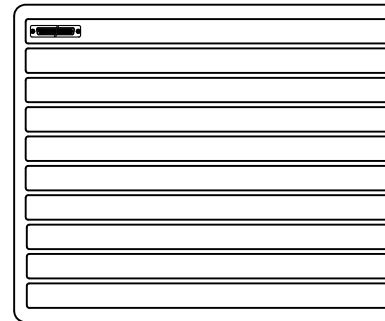
SPEC.NO.(規範編號)	7915SPP-NxA	適用產品: 7915-26/44FTBG00xxA(For N1, N1N6, N2N6, N3, N3N6 Type)	PAGE	1/1	REV.	I767-A
----------------	-------------	--	------	-----	------	--------

PACKING OPERATION DIAGRAM & INSTRUCTION (包裝作業圖示及說明)

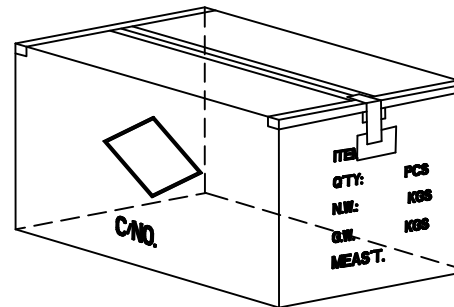
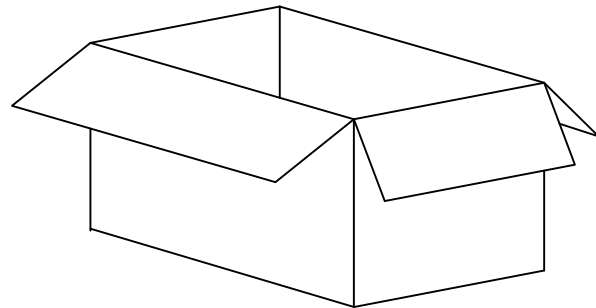
REMARK (備註)



20 TRAY  
(20盤)



TRAY: 310(mm)X230(mm)



CT-1.16: 470(mm)X330(mm)X230(mm)

**Packing:**

26PIN: 70 PCS/ TRAY

1400 PCS/ CARTON

40PIN: 50 PCS/ TRAY

1000 PCS/ CARTON

每箱CARTON共放入 20 TRAY

**CARTON:**

26PIN: N.W. = 15 Kg

G.W. = 16 Kg

44PIN: N.W. = 15 Kg

G.W. = 16 Kg

Drawn By: Vic Lyu 01/13'15