

歐品電子(昆山)有限公司

OUPIIN ELECTRONIC(KUNSHAN) CO.,LTD.

PACKAGING SPECIFICATION (包裝作業規範)

CONFIDENTIAL TOP SECRET

SPEC.NO.(規範編號)	Q2047SPP-139			PAGE	1/6	REV.	H
APPLICABLE CUSTOMER (適用客戶)	ALL	APPLICABLE PRODUCT (適用產品)	2047-2XxxGxxS4(7)(P3)U		PACKAGING CATEGORY (包裝方式)	TUBE PACKING	

REVISION HISTORY (修訂履歷)

REV.	ECN NO	PAGE (頁次)							
		1	2	3	4				
F		Change the paching quantity (修改包裝數量.)							
G		Change the paching quantity (修改包裝數量.)							
H		Change the product name (修改产品名称.)							

DIVISION (事業單位)	Product Development (產品開發課)	APPROVED (核准)		CHECKED (審核)		PREPARED (制表)	XFF 12/26'18
-----------------	-----------------------------	---------------	--	--------------	--	---------------	--------------

歐品電子(昆山)有限公司

OUPIIN ELECTRONIC(KUNSHAN) CO.,LTD.

PACKAGING SPECIFICATION (包裝作業規範)

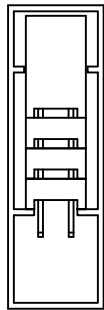
CONFIDENTIAL TOP SECRET

SPEC.NO.(規範編號) Q2047SPP-139

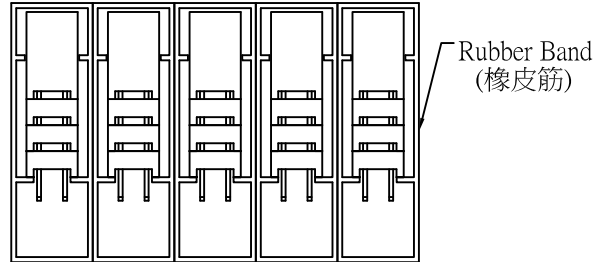
PAGE 2/6 REV. H

PACKING OPERATION DIAGRAM & INSTRUCTION (包裝作業圖示及說明)

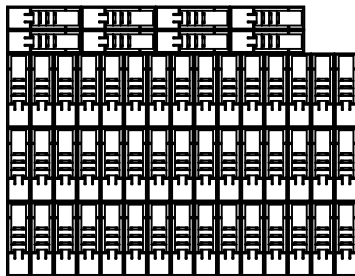
REMARK (備注)



Drawing One: Product Installing Mode
(圖一產品裝入方式)



Drawing Two: Each Bundle 5 Tube
(圖二: 每5管為1捆)



Drawing Three:Lay 3 bundles in each layer.Install in 4 layers.11 bundles,53 tubes in all. the top 4 flat in a bundle of tubes
(圖3)每層放3捆。分4層放入,一盒共11捆,共53管,最上面一層4管一捆平鋪放入)
Disposing schematic diagram of Tube in the inner box, for reference.
(管在內盒的擺放示意圖,供參考)

一.Inner box packing mode: (內盒包裝方式)

- (1).Each tube packing mode:Stuff one end of tube with stopper, stuff the other end of the tube after load into definite quality of product. as shown in drawing One.And stuffing in stopper,the end of the stopper must be level with the tube mouth, can't be shown.
(每管包裝方式:用塞子塞住管子一頭,放入一定數量產品後,塞住另一頭,裝入方式如(圖一)所示.且塞子塞入後,末端要和管口平齊,不可外露.)
- (2).Devide each five tubes product in one layer, laying mode:As shown in Drawing Two, the two ends are away from tube mouth 50mm, fix them with 1PCS rubber band.
(每5管產品分1層,放置方式:如(圖2)所示,兩頭離管口50mm處,各用1PCS橡皮筋纏2道固定.)
- (3).A box of 11 bundle of points 3 layers,each layer 3 bundles. A total of 53 tube.
(一盒11捆分3層放入,每層放3捆。共53管。如(圖三)所示)

歐品電子(昆山)有限公司

OUPIIN ELECTRONIC(KUNSHAN) CO.,LTD.

PACKAGING SPECIFICATION (包裝作業規範)

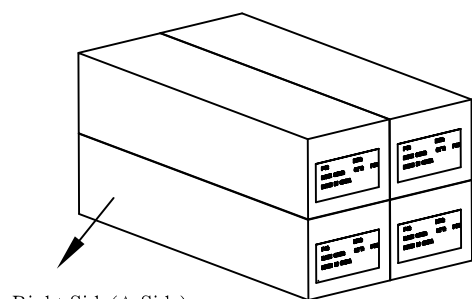
CONFIDENTIAL TOP SECRET

SPEC.NO.(規範編號) Q2047SPP-139

PAGE 3/6 REV. H

PACKING OPERATION DIAGRAM & INSTRUCTION (包裝作業圖示及說明)

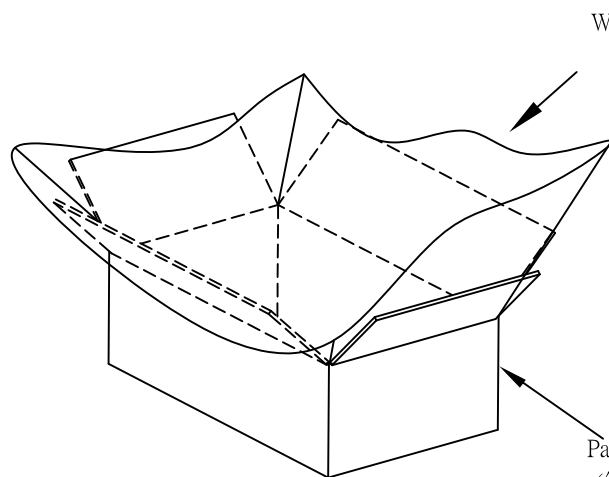
REMARK (備注)



(Drawing Four)
(圖四)

Inner Box 4PCS
(內盒4PCS)
CT-0
(Specification:460*130*105)
(規格:460*130*105)

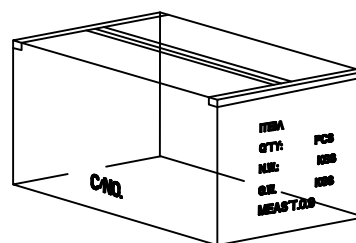
Laying Deriction:Put A Side at the Front
(放置方向:A面朝前)



(Drawing Five)
(圖五)

Waterproof Bag
(防水袋)

Paprr Box CT-0.9 Specification:475*275*225
(紙箱 CT-0.9規格:475*275*225)



Drawing Six
(圖六)

二.Outer box packing mode: (外箱包裝方式)

- (1).Paper box CT-0.9 Standart 1 PCS.
(紙箱CT-0.9規格 1 PCS.)
- (2).Put waterproof bag 1 PCS in the paper box.
(紙箱內側放入防水袋 1 PCS.)
- (3).Put 4PCS inner box filled with product in the waterproof bag.
(于防水袋內放入4PCS裝滿產品之內盒.)
- (4).Laying mode of the four inner boxes is that A side in front side.,
the laying mode of the four inner boxes must in one direction.
(四個內盒的放置方式為1面朝前放置,四內盒放置方向須一致.)
- (5).The detailed specification of inner box is shown in page two.
(內盒之詳細包裝規範如第2頁.)
- (6).After laying inner boxes, tie the waterproof bag tightly.Seal the
surface of the outer box.(Drawing Six)
(放好內盒，扎緊防水袋。將外箱上層封口。(圖六))

The form on the right and flank side of the bo must be filled correctly
and clearly, take actual testing weight as the standard of every box
gross weight.

(外箱之正麥和側麥所要填寫之項目要填寫正確,清晰,每箱之
毛重應以實測重量為準.)

歐品電子(昆山)有限公司

OUPIIN ELECTRONIC(KUNSHAN) CO.,LTD.

PACKAGING SPECIFICATION (包裝作業規範)

CONFIDENTIAL TOP SECRET

SPEC.NO.(規範編號)		Q2047SPP-139								PAGE:	4/6	REV.	H
PACKING MATERIAL (包裝材料)			PRODUCT P/N	PACKING N.W.	PACKING QUANTITY (包裝數量)					WEIGHT (重量) kg			
MATERIAL NAME (材料名稱)	PART NO. (料號)	Q'TY	(產品料號)	(包材重量)	PCS/TUBE	TUBE/INNER BOX	PCS/INNER BOX	INNER BOX/BOX	PCS/BOX	N.W./PCS	N.W./BOX	G.W./BOX	
PAPER BOXES (紙箱)	CT-0.9	1	2047-2X02GxxS4(7)(P3)U	7.13	78	53	4134	4	16536	0.00069	11.41	18.54	
PACKING INNER BOX (內紙箱)	CT-0	4	2047-2X03GxxS4(7)(P3)U	7.13	53	53	2809	4	11236	0.001035	11.63	18.76	
			2047-2X04GxxS4(7)(P3)U	7.13	40	53	2120	4	8480	0.00138	11.70	18.83	
			2047-2X05GxxS4(7)(P3)U	7.13	32	53	1696	4	6784	0.001725	11.70	18.83	
TUBE (管子)	TUBE-2047-23	212	2047-2X06GxxS4(7)(P3)U	7.13	27	53	1431	4	5724	0.00207	11.85	18.98	
			2047-2X07GxxS4(7)(P3)U	7.13	23	53	1219	4	4876	0.002415	11.78	18.90	
			2047-2X08GxxS4(7)(P3)U	7.13	20	53	1060	4	4240	0.00276	11.70	18.83	
TUBE PLUG (塞子)	-----	424	2047-2X09GxxS4(7)(P3)U	7.13	19	53	1007	4	4028	0.003105	12.51	19.64	
			2047-2X10GxxS4(7)(P3)U	7.13	16	53	848	4	3392	0.00345	11.70	18.83	
			2047-2X11GxxS4(7)(P3)U	7.13	15	53	795	4	3180	0.003795	12.07	19.20	
WATERPROFF BAG (防水袋)	PE100*70	1	2047-2X12GxxS4(7)(P3)U	7.13	13	53	689	4	2756	0.00414	11.41	18.54	
			2047-2X13GxxS4(7)(P3)U	7.13	12	53	636	4	2544	0.004485	11.41	18.54	
			2047-2X14GxxS4(7)(P3)U	7.13	11	53	583	4	2332	0.00483	11.26	18.39	
DRYING AGENT (干燥劑)	-----	3	2047-2X15GxxS4(7)(P3)U	7.13	11	53	583	4	2332	0.005175	12.07	19.20	
			2047-2X16GxxS4(7)(P3)U	7.13	10	53	530	4	2120	0.00552	11.70	18.83	
RUBBER RIBE (橡皮筋)	-----	72	2047-2X17GxxS4(7)(P3)U	7.13	9	53	477	4	1908	0.005865	11.19	18.32	
			2047-2X18GxxS4(7)(P3)U	7.13	9	53	477	4	1908	0.00621	11.85	18.98	
			2047-2X19GxxS4(7)(P3)U	7.13	8	53	424	4	1696	0.006555	11.12	18.25	

1.NOTE:

(注意)

When the finished products have been made,take the actual weight as the standard of gross weight in each box.

(成品出貨時,每箱之毛重應以實測重量為準)

When the finished products have been made,stick the proper designation list on the box according to product demand.

(成品出貨時,依據出貨要求貼上相對應的標籤單)

歐品電子(昆山)有限公司

OUPIIN ELECTRONIC(KUNSHAN) CO.,LTD.

PACKAGING SPECIFICATION (包裝作業規範)

CONFIDENTIAL TOP SECRET

SPEC.NO.(規範編號)												PAGE:	5/6	REV.	H
PACKING MATERIAL (包裝材料)			PRODUCT P/N	PACKING N.W.	PACKING QUANTITY (包裝數量)					WEIGHT (重量) kg					
MATERIAL NAME (材料名稱)	PART NO. (料號)	Q'TY	(產品料號)	(包材重量)	PCS/TUBE	TUBE/INNER BOX	PCS/INNER BOX	INNER BOX/BOX	PCS/BOX	N.W./PCS	N.W./BOX	G.W./BOX			
PAPER BOXES (紙箱)	CT-0.9	1	2047-2X20GxxS4(7)(P3)U	7.13	8	53	424	4	1696	0.0069	11.70	18.83			
PACKING INNER BOX (內紙箱)	CT-0	4	2047-2X21GxxS4(7)(P3)U	7.13	8	53	424	4	1696	0.007245	12.29	19.42			
			2047-2X22GxxS4(7)(P3)U	7.13	7	53	371	4	1484	0.00759	11.26	18.39			
			2047-2X23GxxS4(7)(P3)U	7.13	7	53	371	4	1484	0.007935	11.78	18.90			
TUBE (管子)	TUBE-2047-23	212	2047-2X24GxxS4(7)(P3)U	7.13	7	53	371	4	1484	0.00828	12.29	19.42			
			2047-2X25GxxS4(7)(P3)U	7.13	6	53	318	4	1272	0.008625	10.97	18.10			
			2047-2X26GxxS4(7)(P3)U	7.13	6	53	318	4	1272	0.00897	11.41	18.54			
TUBE PLUG (塞子)	-----	424	2047-2X27GxxS4(7)(P3)U	7.13	6	53	318	4	1272	0.009315	11.85	18.98			
			2047-2X28GxxS4(7)(P3)U	7.13	6	53	318	4	1272	0.00966	12.29	19.42			
			2047-2X29GxxS4(7)(P3)U	7.13	5	53	265	4	1060	0.010005	10.61	17.73			
WATERPROFF BAG (防水袋)	PE100*70	1	2047-2X30GxxS4(7)(P3)U	7.13	5	53	265	4	1060	0.01035	10.97	18.10			
			2047-2X31GxxS4(7)(P3)U	7.13	5	53	265	4	1060	0.010695	11.34	18.47			
			2047-2X32GxxS4(7)(P3)U	7.13	5	53	265	4	1060	0.01104	11.70	18.83			
DRYING AGENT (干燥劑)	-----	3	2047-2X33GxxS4(7)(P3)U	7.13	5	53	265	4	1060	0.011385	12.07	19.20			
			2047-2X34GxxS4(7)(P3)U	7.13	4	53	212	4	848	0.01173	9.95	17.08			
RUBBER RIBE (橡皮筋)	-----	72	2047-2X35GxxS4(7)(P3)U	7.13	4	53	212	4	848	0.012075	10.24	17.37			
			2047-2X36GxxS4(7)(P3)U	7.13	4	53	212	4	848	0.01242	10.53	17.66			
			2047-2X37GxxS4(7)(P3)U	7.13	4	53	212	4	848	0.012765	10.82	17.95			

1.NOTE:

(注意)

When the finished products have been made,take the actual weight as the standard of gross weight in each box.

(成品出貨時,每箱之毛重應以實測重量為準)

When the finished products have been made,stick the proper designation list on the box according to product demand.

(成品出貨時,依據出貨要求貼上相對應的標籤單)

歐品電子(昆山)有限公司

OUPIIN ELECTRONIC(KUNSHAN) CO.,LTD.

PACKAGING SPECIFICATION (包裝作業規範)

CONFIDENTIAL TOP SECRET

SPEC.NO.(規範編號)		Q2047SPP-139								PAGE:	6/6	REV.	H
PACKING MATERIAL (包裝材料)			PRODUCT P/N	PACKING N.W.	PACKING QUANTITY (包裝數量)					WEIGHT (重量) kg			
MATERIAL NAME (材料名稱)	PART NO. (料號)	Q'TY	(產品料號)	(包材重量)	PCS/TUBE	TUBE/INNER BOX	PCS/INNER BOX	INNER BOX/BOX	PCS/BOX	N.W./PCS	N.W./BOX	G.W./BOX	
PAPER BOXES (紙箱)	CT-0.9	1	2047-2X38GxxS4(7)(P3)U	7.13	4	53	212	4	848	0.01311	11.12	18.25	
PACKING INNER BOX (內紙箱)	CT-0	4	2047-2X39GxxS4(7)(P3)U	7.13	4	53	212	4	848	0.013455	11.41	18.54	
			2047-2X40GxxS4(7)(P3)U	7.13	4	53	212	4	848	0.0138	11.70	18.83	
TUBE (管子)	TUBE-2047-23	212											
TUBE PLUG (塞子)	-----	424											
WATERPROFF BAG (防水袋)	PE100*70	1											
DRYING AGENT (干燥劑)	-----	3											
RUBBER RIBE (橡皮筋)	-----	72											

1.NOTE:
(注意)
When the finished products have been made,take the actual weight as the standard of gross weight in each box.
(成品出貨時,每箱之毛重應以實測重量為準)
When the finished products have been made,stick the proper designation list on the box according to product demand.
(成品出貨時,依據出貨要求貼上相對應的標籤單)