

歐品電子(昆山)有限公司

OUPIIN ELECTRONIC(KUNSHAN) CO.,LTD.

PACKAGING SPECIFICATION (包裝作業規範)

CONFIDENTIAL TOP SECRET

SPEC.NO.(規範編號) Q2143SPP-175				PAGE	1/12	REV.	N
APPLICABLE CUSTOMER (適用客戶)	ALL	APPLICABLE PRODUCT (適用產品)	2143-A2XxxGxxDNU 2143-A2XxxGxxDPU 2143-A2XxxGxxDxU-S 2143-A2XxxGxxDNU-P 2143-A2XxxGxxDPU-P	PACKAGING CATEGORY (包裝方式)	TUBE PACKING		

REVISION HISTORY (修訂履歷)

ECN REV. NO	PAGE (頁次)								
	1	2	3	4					
M	Revise packing quantity. (修改包裝數量)								
N	Revise packing quantity. (修改包裝數量)								

DIVISION (事業單位)	Product Development (產品開發課)	APPROVED (核准)		CHECKED (審核)		PREPARED (制表)	XZA 9/14'18
-----------------	-----------------------------	---------------	--	--------------	--	---------------	-------------

歐品電子(昆山)有限公司

OUPIIN ELECTRONIC(KUNSHAN) CO.,LTD.

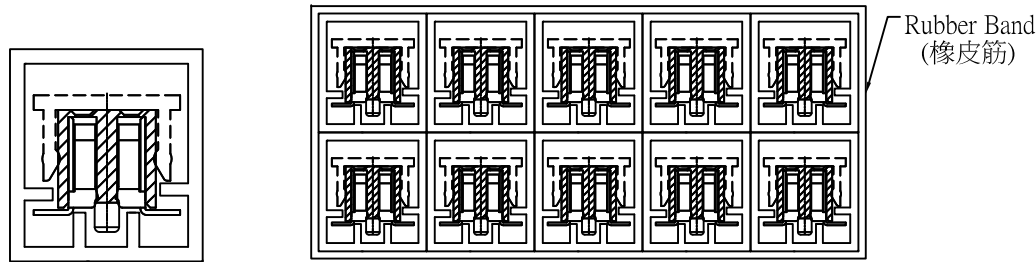
PACKAGING SPECIFICATION (包裝作業規範)

SPEC.NO.(規範編號) Q2143SPP-175

<input checked="" type="checkbox"/> CONFIDENTIAL <input type="checkbox"/> TOP SECRET	
PAGE	2/12
REV.	N

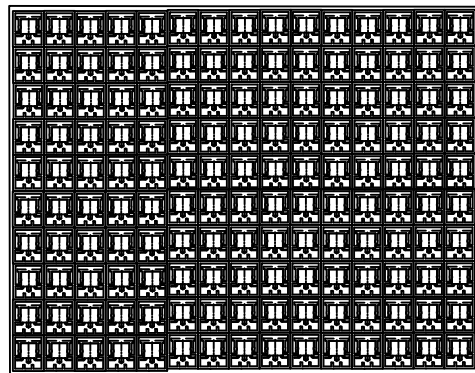
PACKING OPERATION DIAGRAM & INSTRUCTION (包裝作業圖示及說明)

REMARK (備注)



Drawing One: Product Installing Mode
(圖一產品裝入方式)

Drawing Two: Each Bundle ten Tubes
(圖二: 每10管為1捆)



Drawing Three: Lay three bundles in each layer. Install in five layers. Fifteen bundles, 150 tubes in all.
(圖3)每層放3捆。分5層放入,一盒共15捆,共150管
Disposing schematic diagram of Tube in the inner box, for reference.
(管在內盒的擺放示意圖,供參考)

一.Inner box packing mode: (內盒包裝方式)

- (1). Each tube packing mode: Stuff one end of tube with stopper, stuff the other end of the tube after load into definite quantity of product, as shown in drawing One. And stuffing in stopper, the end of the stopper must be level with the tube mouth, can't be shown.
(每管包裝方式:用塞子塞住管子一頭,放入一定數量產品後,塞住另一頭,裝入方式如(圖一)所示.且塞子塞入後,末端要和管口平齊,不可外露.)
- (2). Devide each ten tubes product in two layers, laying mode: As shown in Drawing Two, the two ends are away from tube mouth 50mm, fix them with 1PCS rubber band.
(每10管產品分2層,放置方式:如(圖2)所示,兩頭離管口50mm處,各用1PCS橡皮筋纏2道固定.)
- (3). Lay fifteen bundles in one case with three layers, five bundles in one layer, 150 tubes in all. As shown in drawing Three.
(一盒15捆分5層放入,每層放3捆。共150管。如(圖三)所示)

歐品電子(昆山)有限公司

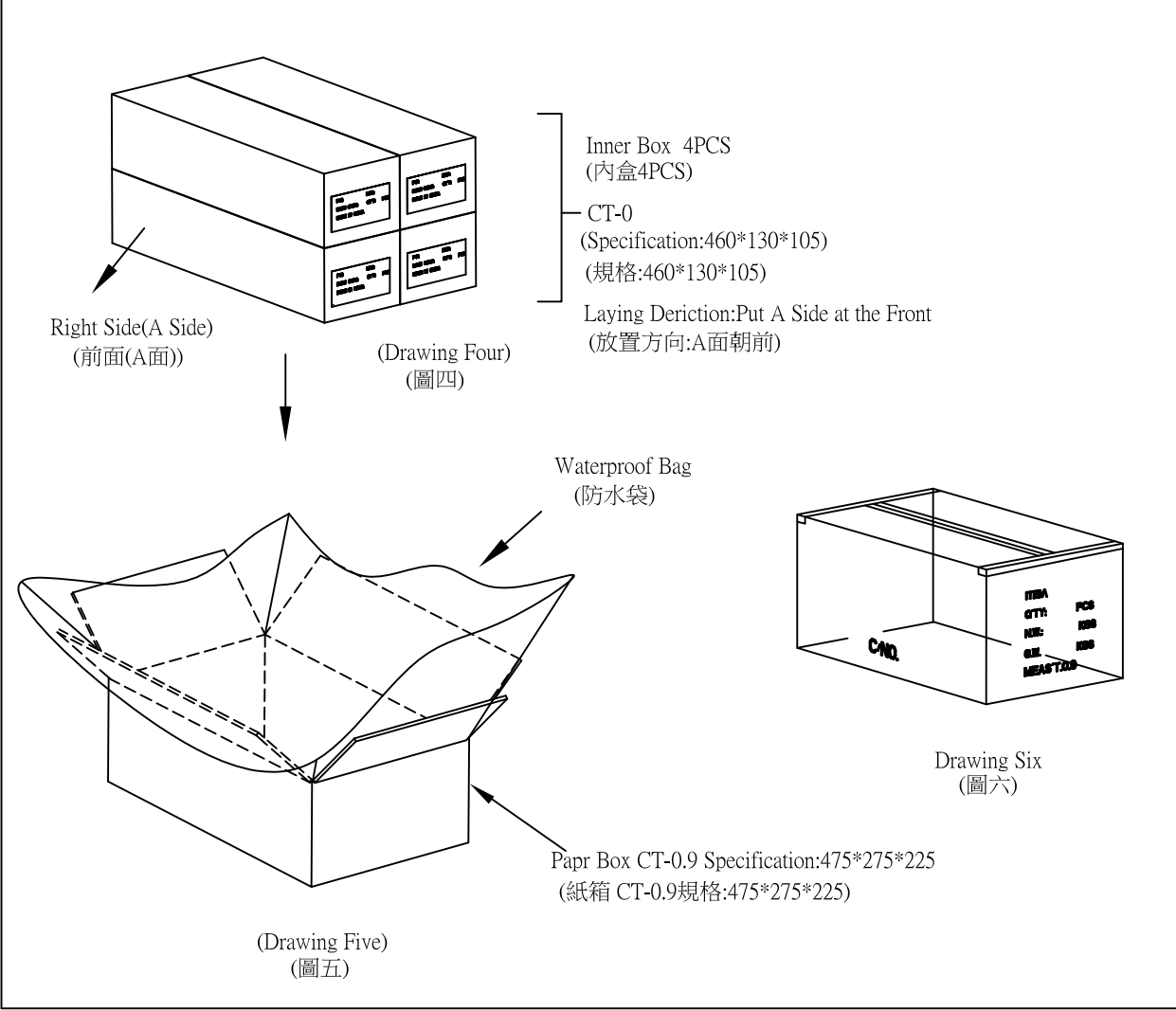
OUPIIN ELECTRONIC(KUNSHAN) CO.,LTD.

PACKAGING SPECIFICATION (包裝作業規範)

<input checked="" type="checkbox"/> CONFIDENTIAL		<input type="checkbox"/> TOP SECRET	
PAGE	3/12	REV.	N

SPEC.NO.(規範編號) Q2143SPP-175

PACKING OPERATION DIAGRAM & INSTRUCTION (包裝作業圖示及說明)	REMARK (備注)
-----------------------------------------------------	-------------



二.Outer box packing mode:
 (外箱包裝方式)

- (1).Paper box CT-0.9 Standart 1 PCS.
 (紙箱CT-0.9規格 1 PCS.)
- (2).Put waterproof bag 1 PCS in the paper box.
 (紙箱內側放入防水袋 1 PCS.)
- (3).Put 4PCS inner box filled with product in the waterproof bag.
 (于防水袋內放入4PCS裝滿產品之內盒.)
- (4).Laying mode of the four inner boxes is that A side in front side.,
 the laying mode of the four inner boxes must in one direction.
 (四個內盒的放置方式為1面朝前放置,四內盒放置方向須一致.)
- (5).The detailed specification of inner box is shown in page two.
 (內盒之詳細包裝規範如第2頁.)
- (6).After laying inner boxes, tie the waterproof bag tightly.Seal the
 surface of the outer box.(Drawing Six)
 (放好內盒,扎緊防水袋。將外箱上層封口。(圖六))

The form on the right and flank side of the bo must be filled correctly and clearly, take actual testing weight as the standard of every box gross weight.
 (外箱之正麥和側麥所要填寫之項目要填寫正確,清晰,每箱之毛重應以實測重量為準.)

歐品電子(昆山)有限公司

OUPIIN ELECTRONIC(KUNSHAN) CO.,LTD.

PACKAGING SPECIFICATION (包裝作業規範)

CONFIDENTIAL TOP SECRET

SPEC.NO.(規範編號)		Q2143SPP-175								PAGE:		4/12		REV.		N	
PACKING MATERIAL (包裝材料)			PRODUCT P/N		PACKING N.W.		PACKING QUANTITY (包裝數量)					WEIGHT (重量) kg					
MATERIAL NAME (材料名稱)		PART NO. (料號)	Q'TY	(產品料號)	(包材重量)	PCS/TUBE	TUBE/INNER BOX	PCS/INNER BOX	INNER BOX/BOX	PCS/BOX	N.W./PCS	N.W./BOX	G.W./BOX				
PAPER BOXES (紙箱)		CT-0.9	1	2143-A2X02GxxDNU	10.72	109	150	16350	4	65400	0.00014	9.16	19.88				
PACKING INNER BOX (內紙箱)		CT-0	4	2143-A2X03GxxDNU	10.72	71	150	10650	4	42600	0.00021	8.95	19.66				
				2143-A2X04GxxDNU	10.72	52	150	7800	4	31200	0.00028	8.74	19.45				
				2143-A2X05GxxDNU	10.72	42	150	6300	4	25200	0.00035	8.82	19.54				
TUBE (管子)		TUBE-2143A-04	600	2143-A2X06GxxDNU	10.72	34	150	5100	4	20400	0.00042	8.57	19.28				
				2143-A2X07GxxDNU	10.72	30	150	4500	4	18000	0.00049	8.82	19.54				
				2143-A2X08GxxDNU	10.72	26	150	3900	4	15600	0.00056	8.74	19.45				
TUBE PLUG (塞子)		-----	1200	2143-A2X09GxxDNU	10.72	23	150	3450	4	13800	0.00063	8.69	19.41				
				2143-A2X10GxxDNU	10.72	21	150	3150	4	12600	0.0007	8.82	19.54				
				2143-A2X11GxxDNU	10.72	19	150	2850	4	11400	0.00077	8.78	19.49				
WATERPROFF BAG (防水袋)		100*90	1	2143-A2X12GxxDNU	10.72	17	150	2550	4	10200	0.00084	8.57	19.28				
				2143-A2X13GxxDNU	10.72	16	150	2400	4	9600	0.00091	8.74	19.45				
				2143-A2X14GxxDNU	10.72	15	150	2250	4	9000	0.00098	8.82	19.54				
DRYING AGENT (干燥劑)		-----	3	2143-A2X15GxxDNU	10.72	14	150	2100	4	8400	0.00105	8.82	19.54				
				2143-A2X16GxxDNU	10.72	13	150	1950	4	7800	0.00112	8.74	19.45				
RUBBER RIBE (橡皮筋)		-----	120	2143-A2X17GxxDNU	10.72	12	150	1800	4	7200	0.00119	8.57	19.28				
				2143-A2X18GxxDNU	10.72	11	150	1650	4	6600	0.00126	8.32	19.03				
				2143-A2X19GxxDNU	10.72	11	150	1650	4	6600	0.00133	8.78	19.49				

1.NOTE:

(注意)

When the finished products have been made,take the actual weight as the standard of gross weight in each box.(成品出貨時,每箱之毛重應以實測重量為準)

When the finished products have been made,stick the proper designation list on the box according to product demand.(成品出貨時,依據出貨要求貼上相對應的標籤單)

CT-1.6 Produce goods taiwan , CT-1.9 Produce goods shanghai. (CT-1.6出貨台灣OP , CT-1.9出貨上海SH)

It doesn't influence the manner of packing with the gold-plated way to print word way,Can amalgamate.(印字方式跟鍍金方式不影響包裝方式,可以共用)

歐品電子(昆山)有限公司

OUPIIN ELECTRONIC(KUNSHAN) CO.,LTD.

PACKAGING SPECIFICATION (包裝作業規範)

CONFIDENTIAL TOP SECRET

SPEC.NO.(規範編號)		Q2143SPP-175								PAGE:	5/12	REV.	N
PACKING MATERIAL (包裝材料)			PRODUCT P/N	PACKING N.W.	PACKING QUANTITY (包裝數量)					WEIGHT (重量) kg			
MATERIAL NAME (材料名稱)	PART NO. (料號)	Q'TY	(產品料號)	(包材重量)	PCS/TUBE	TUBE/INNER BOX	PCS/INNER BOX	INNER BOX/BOX	PCS/BOX	N.W./PCS	N.W./BOX	G.W./BOX	
PAPER BOXES (紙箱)	CT-0.9	1	2143-A2X20GxxDNU	10.72	10	150	1500	4	6000	0.0014	8.40	19.12	
PACKING INNER BOX (內紙箱)	CT-0	4	2143-A2X21GxxDNU	10.72	10	150	1500	4	6000	0.00147	8.82	19.54	
			2143-A2X22GxxDNU	10.72	9	150	1350	4	5400	0.00154	8.32	19.03	
			2143-A2X23GxxDNU	10.72	9	150	1350	4	5400	0.00161	8.69	19.41	
TUBE (管子)	TUBE-2143A-04	600	2143-A2X24GxxDNU	10.72	8	150	1200	4	4800	0.00168	8.06	18.78	
			2143-A2X25GxxDNU	10.72	8	150	1200	4	4800	0.00175	8.40	19.12	
			2143-A2X26GxxDNU	10.72	8	150	1200	4	4800	0.00182	8.74	19.45	
TUBE PLUG (塞子)	-----	1200	2143-A2X27GxxDNU	10.72	7	150	1050	4	4200	0.00189	7.94	18.65	
			2143-A2X28GxxDNU	10.72	7	150	1050	4	4200	0.00196	8.23	18.95	
			2143-A2X29GxxDNU	10.72	7	150	1050	4	4200	0.00203	8.53	19.24	
WATERPROFF BAG (防水袋)	100*90	1	2143-A2X30GxxDNU	10.72	7	150	1050	4	4200	0.0021	8.82	19.54	
			2143-A2X02GxxDPU	10.27	109	150	16350	4	65400	0.00016	10.46	20.73	
			2143-A2X03GxxDPU	10.72	71	150	10650	4	42600	0.00025	10.65	21.37	
DRYING AGENT (干燥劑)	-----	3	2143-A2X04GxxDPU	10.72	52	150	7800	4	31200	0.00032	9.98	20.70	
			2143-A2X05GxxDPU	10.72	42	150	6300	4	25200	0.00039	9.83	20.54	
RUBBER RIBE (橡皮筋)	-----	120	2143-A2X06GxxDPU	10.72	34	150	5100	4	20400	0.00046	9.38	20.10	
			2143-A2X07GxxDPU	10.72	30	150	4500	4	18000	0.00053	9.54	20.26	
			2143-A2X08GxxDPU	10.72	26	150	3900	4	15600	0.0006	9.36	20.08	

1.NOTE:
 (注意)
 When the finished products have been made,take the actual weight as the standard of gross weight in each box.(成品出貨時,每箱之毛重應以實測重量為準)
 When the finished products have been made,stick the proper designation list on the box according to product demand.(成品出貨時,依據出貨要求貼上相對應的標簽單)
 CT-1.6 Produce goods taiwan , CT-1.9 Produce goods shanghai. (CT-1.6出貨台灣OP , CT-1.9出貨上海SH)
 It doesn't influence the manner of packing with the gold-plated way to print word way,Can amalgamate.(印字方式跟鍍金方式不影響包裝方式 , 可以共用)

歐品電子(昆山)有限公司

OUPIIN ELECTRONIC(KUNSHAN) CO.,LTD.

PACKAGING SPECIFICATION (包裝作業規範)

CONFIDENTIAL TOP SECRET

SPEC.NO.(規範編號)		Q2143SPP-175								PAGE:	6/12	REV.	N
PACKING MATERIAL (包裝材料)			PRODUCT P/N	PACKING N.W.	PACKING QUANTITY (包裝數量)					WEIGHT (重量) kg			
MATERIAL NAME (材料名稱)	PART NO. (料號)	Q'TY	(產品料號)	(包材重量)	PCS/TUBE	TUBE/INNER BOX	PCS/INNER BOX	INNER BOX/BOX	PCS/BOX	N.W./PCS	N.W./BOX	G.W./BOX	
PAPER BOXES (紙箱)	CT-0.9	1	2143-A2X09GxxDPU	10.72	23	150	3450	4	13800	0.00067	9.25	19.96	
PACKING INNER BOX (內紙箱)	CT-0	4	2143-A2X10GxxDPU	10.72	21	150	3150	4	12600	0.00074	9.32	20.04	
			2143-A2X11GxxDPU	10.72	19	150	2850	4	11400	0.00081	9.23	19.95	
			2143-A2X12GxxDPU	10.72	17	150	2550	4	10200	0.00088	8.98	19.69	
TUBE (管子)	TUBE-2143A-04	600	2143-A2X13GxxDPU	10.72	16	150	2400	4	9600	0.00095	9.12	19.84	
			2143-A2X14GxxDPU	10.72	15	150	2250	4	9000	0.00102	9.18	19.90	
			2143-A2X15GxxDPU	10.72	14	150	2100	4	8400	0.00109	9.16	19.87	
TUBE PLUG (塞子)	-----	1200	2143-A2X16GxxDPU	10.72	13	150	1950	4	7800	0.00116	9.05	19.76	
			2143-A2X17GxxDPU	10.72	12	150	1800	4	7200	0.00123	8.86	19.57	
			2143-A2X18GxxDPU	10.72	11	150	1650	4	6600	0.0013	8.58	19.30	
WATERPROFF BAG (防水袋)	100*90	1	2143-A2X19GxxDPU	10.72	11	150	1650	4	6600	0.00137	9.04	19.76	
			2143-A2X20GxxDPU	10.72	10	150	1500	4	6000	0.00144	8.64	19.36	
			2143-A2X21GxxDPU	10.72	10	150	1500	4	6000	0.00151	9.06	19.78	
DRYING AGENT (干燥劑)	-----	3	2143-A2X22GxxDPU	10.72	9	150	1350	4	5400	0.00158	8.53	19.25	
			2143-A2X23GxxDPU	10.72	9	150	1350	4	5400	0.00165	8.91	19.63	
RUBBER RIBE (橡皮筋)	-----	120	2143-A2X24GxxDPU	10.72	8	150	1200	4	4800	0.00172	8.26	18.97	
			2143-A2X25GxxDPU	10.72	8	150	1200	4	4800	0.00179	8.59	19.31	
			2143-A2X26GxxDPU	10.72	8	150	1200	4	4800	0.00186	8.93	19.64	

1.NOTE:
(注意)

When the finished products have been made,take the actual weight as the standard of gross weight in each box.(成品出貨時,每箱之毛重應以實測重量為準)

When the finished products have been made,stick the proper designation list on the box according to product demand.(成品出貨時,依據出貨要求貼上相對應的標籤單)

CT-1.6 Produce goods taiwan ,CT-1.9 Produce goods shanghai. (CT-1.6出貨台灣OP · CT-1.9出貨上海SH)

It doesn't influence the manner of packing with the gold-plated way to print word way,Can amalgamate.(印字方式跟鍍金方式不影響包裝方式,可以共用)

歐品電子(昆山)有限公司

OUPIIN ELECTRONIC(KUNSHAN) CO.,LTD.

PACKAGING SPECIFICATION (包裝作業規範)

CONFIDENTIAL TOP SECRET

PAGE: 7/12 REV. N

SPEC.NO.(規範編號)		Q2143SPP-175											
PACKING MATERIAL (包裝材料)			PRODUCT P/N	PACKING N.W.	PACKING QUANTITY (包裝數量)				WEIGHT (重量) kg				
MATERIAL NAME (材料名稱)	PART NO. (料號)	Q'TY	(產品料號)	(包材重量)	PCS/TUBE	TUBE/INNER BOX	PCS/INNER BOX	INNER BOX/BOX	PCS/BOX	N.W./PCS	N.W./BOX	G.W./BOX	
PAPER BOXES (紙箱)	CT-0.9	1	2143-A2X27GxxDPU	10.72	7	150	1050	4	4200	0.00193	8.11	18.82	
PACKING INNER BOX (內紙箱)	CT-0	4	2143-A2X28GxxDPU	10.72	7	150	1050	4	4200	0.002	8.40	19.12	
			2143-A2X29GxxDPU	10.72	7	150	1050	4	4200	0.00207	8.69	19.41	
			2143-A2X30GxxDPU	10.72	7	150	1050	4	4200	0.00214	8.99	19.70	
TUBE (管子)	TUBE-2143A-04	600	2143-A2X02GxxDNU-P	10.72	56	150	8400	4	33600	0.0002	6.72	17.44	
			2143-A2X03GxxDNU-P	10.72	56	150	8400	4	33600	0.00029	9.74	20.46	
			2143-A2X04GxxDNU-P	10.72	52	150	7800	4	31200	0.00035	11.23	21.95	
TUBE PLUG (塞子)	-----	1200	2143-A2X05GxxDNU-P	10.72	42	150	6300	4	25200	0.00043	10.84	21.55	
			2143-A2X06GxxDNU-P	10.72	34	150	5100	4	20400	0.0005	10.20	20.92	
			2143-A2X07GxxDNU-P	10.72	29	150	4350	4	17400	0.00057	9.92	20.63	
WATERPROFF BAG (防水袋)	100*90	1	2143-A2X08GxxDNU-P	10.72	26	150	3900	4	15600	0.00064	9.98	20.70	
			2143-A2X09GxxDNU-P	10.72	23	150	3450	4	13800	0.00071	9.80	20.51	
			2143-A2X10GxxDNU-P	10.72	21	150	3150	4	12600	0.00078	9.83	20.54	
DRYING AGENT (干燥劑)	-----	3	2143-A2X11GxxDNU-P	10.72	19	150	2850	4	11400	0.00085	9.69	20.41	
			2143-A2X12GxxDNU-P	10.72	17	150	2550	4	10200	0.00092	9.38	20.10	
RUBBER RIBE (橡皮筋)	-----	120	2143-A2X13GxxDNU-P	10.72	16	150	2400	4	9600	0.00099	9.50	20.22	
			2143-A2X14GxxDNU-P	10.72	15	150	2250	4	9000	0.00105	9.54	20.26	
			2143-A2X15GxxDNU-P	10.72	14	150	2100	4	8400	0.00113	9.49	20.21	

1.NOTE:

(注意)

When the finished products have been made,take the actual weight as the standard of gross weight in each box.(成品出貨時,每箱之毛重應以實測重量為準)

When the finished products have been made,stick the proper designation list on the box according to product demand.(成品出貨時,依據出貨要求貼上相對應的標籤單)

CT-1.6 Produce goods taiwan , CT-1.9 Produce goods shanghai. (CT-1.6出貨台灣OP , CT-1.9出貨上海SH)

It doesn't influence the manner of packing with the gold-plated way to print word way.Can amalgamate.(印字方式跟鍍金方式不影響包裝方式,可以共用)

歐品電子(昆山)有限公司

OUPIIN ELECTRONIC(KUNSHAN) CO.,LTD.

PACKAGING SPECIFICATION (包裝作業規範)

CONFIDENTIAL TOP SECRET

SPEC.NO.(規範編號)		Q2143SPP-175								PAGE:	8/12	REV.	N
PACKING MATERIAL (包裝材料)			PRODUCT P/N	PACKING N.W.	PACKING QUANTITY (包裝數量)					WEIGHT (重量) kg			
MATERIAL NAME (材料名稱)	PART NO. (料號)	Q'TY	(產品料號)	(包材重量)	PCS/TUBE	TUBE/INNER BOX	PCS/INNER BOX	INNER BOX/BOX	PCS/BOX	N.W./PCS	N.W./BOX	G.W./BOX	
PAPER BOXES (紙箱)	CT-0.9	1	2143-A2X16GxxDNU-P	10.72	13	150	1950	4	7800	0.0012	9.36	20.08	
PACKING INNER BOX (內紙箱)	CT-0	4	2143-A2X17GxxDNU-P	10.72	12	150	1800	4	7200	0.00127	9.14	19.86	
			2143-A2X18GxxDNU-P	10.72	11	150	1650	4	6600	0.00134	8.84	19.56	
			2143-A2X19GxxDNU-P	10.72	11	150	1650	4	6600	0.00141	9.31	20.02	
TUBE (管子)	TUBE-2143A-04	600	2143-A2X20GxxDNU-P	10.72	10	150	1500	4	6000	0.00148	8.88	19.60	
			2143-A2X21GxxDNU-P	10.72	10	150	1500	4	6000	0.00155	9.30	20.02	
			2143-A2X22GxxDNU-P	10.72	9	150	1350	4	5400	0.00162	8.75	19.46	
TUBE PLUG (塞子)	-----	1200	2143-A2X23GxxDNU-P	10.72	9	150	1350	4	5400	0.00169	9.13	19.84	
			2143-A2X24GxxDNU-P	10.72	8	150	1200	4	4800	0.00176	8.45	19.16	
			2143-A2X25GxxDNU-P	10.72	8	150	1200	4	4800	0.00183	8.78	19.50	
WATERPROFF BAG (防水袋)	100*90	1	2143-A2X26GxxDNU-P	10.72	8	150	1200	4	4800	0.0019	9.12	19.84	
			2143-A2X27GxxDNU-P	10.72	7	150	1050	4	4200	0.00197	8.27	18.99	
			2143-A2X28GxxDNU-P	10.72	7	150	1050	4	4200	0.00204	8.57	19.28	
DRYING AGENT (干燥劑)	-----	3	2143-A2X29GxxDNU-P	10.72	7	150	1050	4	4200	0.00211	8.86	19.58	
			2143-A2X30GxxDNU-P	10.72	7	150	1050	4	4200	0.00218	9.16	19.87	
RUBBER RIBE (橡皮筋)	-----	120	2143-A2X02GxxDPU-P	10.07	56	150	8400	4	33600	0.00025	8.40	18.47	
			2143-A2X03GxxDPU-P	10.72	56	150	8400	4	33600	0.00033	11.09	21.80	
			2143-A2X04GxxDPU-P	10.72	52	150	7800	4	31200	0.0004	12.48	23.20	

1.NOTE:

(注意)

When the finished products have been made,take the actual weight as the standard of gross weight in each box.(成品出貨時,每箱之毛重應以實測重量為準)

When the finished products have been made,stick the proper designation list on the box according to product demand.(成品出貨時,依據出貨要求貼上相對應的標籤單)

CT-1.6 Produce goods taiwan ,CT-1.9 Produce goods shanghai. (CT-1.6出貨台灣OP, CT-1.9出貨上海SH)

It doesn't influence the manner of packing with the gold-plated way to print word way,Can amalgamate.(印字方式跟鍍金方式不影響包裝方式,可以共用)

歐品電子(昆山)有限公司

OUPIIN ELECTRONIC(KUNSHAN) CO.,LTD.

PACKAGING SPECIFICATION (包裝作業規範)

CONFIDENTIAL TOP SECRET

SPEC.NO.(規範編號)		Q2143SPP-175								PAGE:	9/12	REV.	N
PACKING MATERIAL (包裝材料)			PRODUCT P/N	PACKING N.W.	PACKING QUANTITY (包裝數量)					WEIGHT (重量) kg			
MATERIAL NAME (材料名稱)	PART NO. (料號)	Q'TY	(產品料號)	(包材重量)	PCS/TUBE	TUBE/INNER BOX	PCS/INNER BOX	INNER BOX/BOX	PCS/BOX	N.W./PCS	N.W./BOX	G.W./BOX	
PAPER BOXES (紙箱)	CT-0.9	1	2143-A2X05GxxDPU-P	10.72	42	150	6300	4	25200	0.00047	11.84	22.56	
PACKING INNER BOX (內紙箱)	CT-0	4	2143-A2X06GxxDPU-P	10.72	34	150	5100	4	20400	0.00054	11.02	21.73	
			2143-A2X07GxxDPU-P	10.72	29	150	4350	4	17400	0.00061	10.61	21.33	
			2143-A2X08GxxDPU-P	10.72	26	150	3900	4	15600	0.00068	10.61	21.32	
TUBE (管子)	TUBE-2143A-04	600	2143-A2X09GxxDPU-P	10.72	23	150	3450	4	13800	0.00075	10.35	21.07	
			2143-A2X10GxxDPU-P	10.72	21	150	3150	4	12600	0.00082	10.33	21.05	
			2143-A2X11GxxDPU-P	10.72	19	150	2850	4	11400	0.00089	10.15	20.86	
TUBE PLUG (塞子)	-----	1200	2143-A2X12GxxDPU-P	10.72	17	150	2550	4	10200	0.00096	9.79	20.51	
			2143-A2X13GxxDPU-P	10.72	16	150	2400	4	9600	0.00103	9.89	20.60	
			2143-A2X14GxxDPU-P	10.72	15	150	2250	4	9000	0.0011	9.90	20.62	
WATERPROFF BAG (防水袋)	100*90	1	2143-A2X15GxxDPU-P	10.72	14	150	2100	4	8400	0.00117	9.83	20.54	
			2143-A2X16GxxDPU-P	10.72	13	150	1950	4	7800	0.00124	9.67	20.39	
			2143-A2X17GxxDPU-P	10.72	12	150	1800	4	7200	0.00131	9.43	20.15	
DRYING AGENT (干燥劑)	-----	3	2143-A2X18GxxDPU-P	10.72	11	150	1650	4	6600	0.00138	9.11	19.82	
			2143-A2X19GxxDPU-P	10.72	11	150	1650	4	6600	0.00145	9.57	20.29	
RUBBER RIBE (橡皮筋)	-----	120	2143-A2X20GxxDPU-P	10.72	10	150	1500	4	6000	0.00152	9.12	19.84	
			2143-A2X21GxxDPU-P	10.72	10	150	1500	4	6000	0.00159	9.54	20.26	
			2143-A2X22GxxDPU-P	10.72	9	150	1350	4	5400	0.00166	8.96	19.68	

1.NOTE:
(注意)

When the finished products have been made,take the actual weight as the standard of gross weight in each box.(成品出貨時,每箱之毛重應以實測重量為準)

When the finished products have been made,stick the proper designation list on the box according to product demand.(成品出貨時,依據出貨要求貼上相對應的標簽單)

CT-1.6 Produce goods taiwan , CT-1.9 Produce goods shanghai. (CT-1.6出貨台灣OP , CT-1.9出貨上海SH)

It doesn't influence the manner of packing with the gold-plated way to print word way.Can amalgamate.(印字方式跟鍍金方式不影響包裝方式 , 可以共用)

歐品電子(昆山)有限公司

OUPIIN ELECTRONIC(KUNSHAN) CO.,LTD.

PACKAGING SPECIFICATION (包裝作業規範)

CONFIDENTIAL TOP SECRET

SPEC.NO.(規範編號)		Q2143SPP-175								PAGE:	10/12	REV.	N
PACKING MATERIAL (包裝材料)			PRODUCT P/N	PACKING N.W.	PACKING QUANTITY (包裝數量)					WEIGHT (重量) kg			
MATERIAL NAME (材料名稱)	PART NO. (料號)	Q'TY	(產品料號)	(包材重量)	PCS/TUBE	TUBE/INNER BOX	PCS/INNER BOX	INNER BOX/BOX	PCS/BOX	N.W./PCS	N.W./BOX	G.W./BOX	
PAPER BOXES (紙箱)	CT-0.9	1	2143-A2X23GxxDPU-P	10.72	9	150	1350	4	5400	0.00173	9.34	20.06	
PACKING INNER BOX (內紙箱)	CT-0	4	2143-A2X24GxxDPU-P	10.72	8	150	1200	4	4800	0.0018	8.64	19.36	
			2143-A2X25GxxDPU-P	10.72	8	150	1200	4	4800	0.00187	8.98	19.69	
			2143-A2X26GxxDPU-P	10.72	8	150	1200	4	4800	0.00194	9.31	20.03	
TUBE (管子)	TUBE-2143A-04	600	2143-A2X27GxxDPU-P	10.72	7	150	1050	4	4200	0.00201	8.44	19.16	
			2143-A2X28GxxDPU-P	10.72	7	150	1050	4	4200	0.00208	8.74	19.45	
			2143-A2X29GxxDPU-P	10.72	7	150	1050	4	4200	0.00215	9.03	19.75	
TUBE PLUG (塞子)	-----	1200	2143-A2X30GxxDPU-P	10.72	7	150	1050	4	4200	0.00222	9.32	20.04	
			2143-A2X02GxxDxU-S	10.72	109	150	16350	4	65400	0.00014	9.16	19.87	
			2143-A2X03GxxDxU-S	10.72	71	150	10650	4	42600	0.00021	8.95	19.66	
WATERPROFF BAG (防水袋)	100*90	1	2143-A2X04GxxDxU-S	10.72	52	150	7800	4	31200	0.00028	8.74	19.45	
			2143-A2X05GxxDxU-S	10.72	42	150	6300	4	25200	0.00035	8.82	19.54	
			2143-A2X06GxxDxU-S	10.72	34	150	5100	4	20400	0.00042	8.57	19.28	
DRYING AGENT (干燥劑)	-----	3	2143-A2X07GxxDxU-S	10.72	29	150	4350	4	17400	0.00049	8.53	19.24	
			2143-A2X08GxxDxU-S	10.72	26	150	3900	4	15600	0.00056	8.74	19.45	
RUBBER RIBE (橡皮筋)	-----	120	2143-A2X09GxxDxU-S	10.72	23	150	3450	4	13800	0.00063	8.69	19.41	
			2143-A2X10GxxDxU-S	10.72	21	150	3150	4	12600	0.00082	10.33	21.05	
			2143-A2X11GxxDxU-S	10.72	19	150	2850	4	11400	0.00077	8.78	19.49	

1.NOTE:

(注意)

When the finished products have been made,take the actual weight as the standard of gross weight in each box.(成品出貨時,每箱之毛重應以實測重量為準)

When the finished products have been made,stick the proper designation list on the box according to product demand.(成品出貨時,依據出貨要求貼上相對應的標籤單)

CT-1.6 Produce goods taiwan , CT-1.9 Produce goods shanghai. (CT-1.6出貨台灣OP , CT-1.9出貨上海SH)

It doesn't influence the manner of packing with the gold-plated way to print word way,Can amalgamate.(印字方式跟鍍金方式不影響包裝方式 , 可以共用)

歐品電子(昆山)有限公司

OUPIIN ELECTRONIC(KUNSHAN) CO.,LTD.

PACKAGING SPECIFICATION (包裝作業規範)

CONFIDENTIAL TOP SECRET

SPEC.NO.(規範編號)		Q2143SPP-175								PAGE:	11/12	REV.	N
PACKING MATERIAL (包裝材料)			PRODUCT P/N	PACKING N.W.	PACKING QUANTITY (包裝數量)					WEIGHT (重量) kg			
MATERIAL NAME (材料名稱)	PART NO. (料號)	Q'TY	(產品料號)	(包材重量)	PCS/TUBE	TUBE/INNER BOX	PCS/INNER BOX	INNER BOX/BOX	PCS/BOX	N.W./PCS	N.W./BOX	G.W./BOX	
PAPER BOXES (紙箱)	CT-0.9	1	2143-A2X12GxxDxU-S	10.72	17	150	2550	4	10200	0.00084	8.57	19.28	
PACKING INNER BOX (內紙箱)	CT-0	4	2143-A2X13GxxDxU-S	10.72	16	150	2400	4	9600	0.00091	8.74	19.45	
			2143-A2X14GxxDxU-S	10.72	15	150	2250	4	9000	0.00098	8.82	19.54	
			2143-A2X15GxxDxU-S	10.72	14	150	2100	4	8400	0.00105	8.82	19.54	
TUBE (管子)	TUBE-2143A-04	600	2143-A2X16GxxDxU-S	10.72	13	150	1950	4	7800	0.00112	8.74	19.45	
			2143-A2X17GxxDxU-S	10.72	12	150	1800	4	7200	0.00119	8.57	19.28	
			2143-A2X18GxxDxU-S	10.72	11	150	1650	4	6600	0.00126	8.32	19.03	
TUBE PLUG (塞子)	-----	1200	2143-A2X19GxxDxU-S	10.72	11	150	1650	4	6600	0.00133	8.78	19.49	
			2143-A2X20GxxDxU-S	10.72	10	150	1500	4	6000	0.0014	8.40	19.12	
			2143-A2X21GxxDxU-S	10.72	10	150	1500	4	6000	0.00147	8.82	19.54	
WATERPROFF BAG (防水袋)	100*90	1	2143-A2X22GxxDxU-S	10.72	9	150	1350	4	5400	0.00154	8.32	19.03	
			2143-A2X23GxxDxU-S	10.72	9	150	1350	4	5400	0.00161	8.69	19.41	
			2143-A2X24GxxDxU-S	10.72	8	150	1200	4	4800	0.00168	8.06	18.78	
DRYING AGENT (干燥劑)	-----	3	2143-A2X25GxxDxU-S	10.72	8	150	1200	4	4800	0.00175	8.40	19.12	
			2143-A2X26GxxDxU-S	10.72	8	150	1200	4	4800	0.00182	8.74	19.45	
RUBBER RIBE (橡皮筋)	-----	120	2143-A2X27GxxDxU-S	10.72	7	150	1050	4	4200	0.00189	7.94	18.65	
			2143-A2X28GxxDxU-S	10.72	7	150	1050	4	4200	0.00196	8.23	18.95	
			2143-A2X29GxxDxU-S	10.72	7	150	1050	4	4200	0.00203	8.53	19.24	

1.NOTE:
(注意)
When the finished products have been made,take the actual weight as the standard of gross weight in each box.(成品出貨時,每箱之毛重應以實測重量為準)
When the finished products have been made,stick the proper designation list on the box according to product demand.(成品出貨時,依據出貨要求貼上相對應的標籤單)
CT-1.6 Produce goods taiwan ,CT-1.9 Produce goods shanghai. (CT-1.6出貨台灣OP, CT-1.9出貨上海SH)
It doesn't influence the manner of packing with the gold-plated way to print word way,Can amalgamate.(印字方式跟鍍金方式不影響包裝方式,可以共用)

歐品電子(昆山)有限公司

OUPIIN ELECTRONIC(KUNSHAN) CO.,LTD.

PACKAGING SPECIFICATION (包裝作業規範)

CONFIDENTIAL TOP SECRET

PAGE: 12/12 REV. N

SPEC.NO.(規範編號)		Q2143SPP-175										
PACKING MATERIAL (包裝材料)			PRODUCT P/N	PACKING N.W.	PACKING QUANTITY (包裝數量)					WEIGHT (重量) kg		
MATERIAL NAME (材料名稱)	PART NO. (料號)	Q'TY	(產品料號)	(包材重量)	PCS/TUBE	TUBE/INNER BOX	PCS/INNER BOX	INNER BOX/BOX	PCS/BOX	N.W./PCS	N.W./BOX	G.W./BOX
PAPER BOXES (紙箱)	CT-0.9	1	2143-A2X30GxxDxU-S	10.72	7	150	1050	4	4200	0.00222	9.32	20.04
PACKING INNER BOX (內紙箱)	CT-0	4										
TUBE (管子)	TUBE-2143A-04	600										
TUBE PLUG (塞子)	-----	1200										
WATERPROFF BAG (防水袋)	100*90	1										
DRYING AGENT (干燥劑)	-----	3										
RUBBER RIBE (橡皮筋)	-----	120										

1.NOTE:
(注意)

When the finished products have been made,take the actual weight as the standard of gross weight in each box.(成品出貨時,每箱之毛重應以實測重量為準)

When the finished products have been made,stick the proper designation list on the box according to product demand.(成品出貨時,依據出貨要求貼上相對應的標籤單)

CT-1.6 Produce goods taiwan ,CT-1.9 Produce goods shanghai. (CT-1.6出貨台灣OP , CT-1.9出貨上海SH)

It doesn't influence the manner of packing with the gold-plated way to print word way.Can amalgamate.(印字方式跟鍍金方式不影響包裝方式,可以共用)