

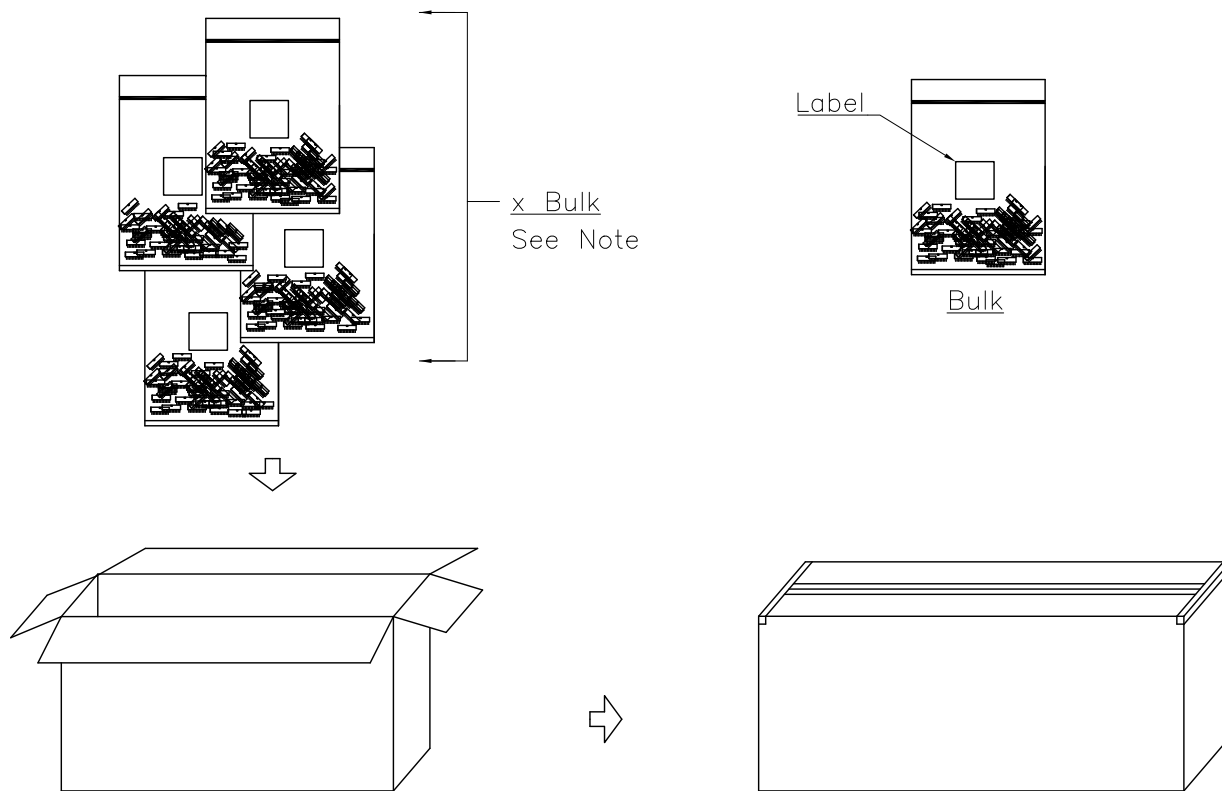
歐品電子(昆山)有限公司

OUPIIN ELECTRONIC(KUNSHAN) CO.,LTD.

PACKAGING SPECIFICATION (包裝作業規範)

SPEC.NO.(規範編號)	4976SPP-TSB	適用產品: 4976-2X02TSB	PAGE	1/1	REV.	I667-A
----------------	-------------	--------------------	------	-----	------	--------

PACKING OPERATION DIAGRAM & INSTRUCTION (包裝作業圖示及說明)	REMARK (備註)
---	-------------



1.
Packing:
1000 Pcs/ Bulk
4 Bulk/ Carton
4000 Pcs/ Carton

Carton:
N.W. = 3 Kg
G.W. = 3.9 Kg

Box Size:
33.3cm X 28cm X 22cm

2.
Packing:
1000 Pcs/ Bulk
8 Bulk/ Carton
8000 Pcs/ Carton

Carton:
N.W. = 6 Kg
G.W. = 7.2 Kg

Box Size:
38cm X 53cm X 28cm

3.
Packing:
1000 Pcs/ Bulk
16 Bulk/ Carton
16000 Pcs/ Carton

Carton:
N.W. = 12Kg
G.W. = 14.2 Kg

Box Size:
50cm X 29cm X 39cm

Carton:xx(mm)Xxx(mm)Xxx(mm)

See Note

Drawn By: jia-chi 04/16'18