

歐品電子(昆山)有限公司

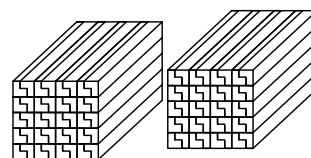
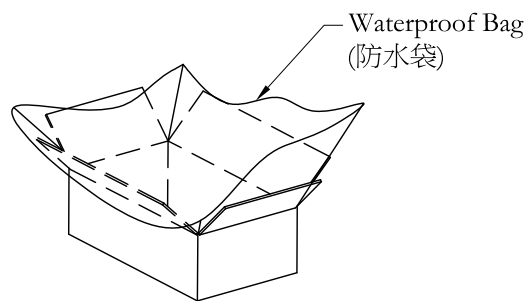
OUPIIN ELECTRONIC(KUNSHAN) CO.,LTD.

PACKAGING SPECIFICATION (包裝作業規範)

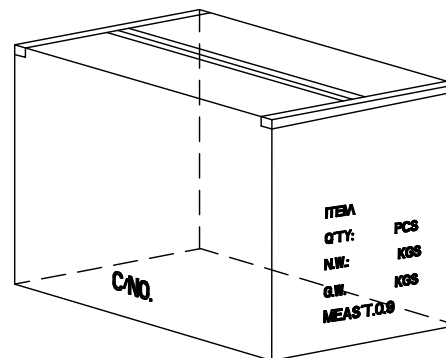
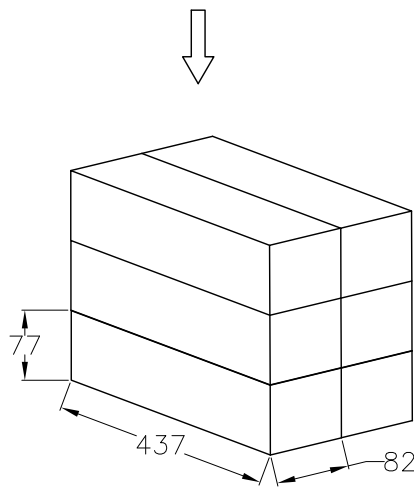
SPEC.NO.(規範編號)	7904SPP-22FCDB1U	適用產品: 7904-22FC15DB1U	PAGE	1/1	REV.	I705-A
----------------	------------------	-----------------------	------	-----	------	--------

PACKING OPERATION DIAGRAM & INSTRUCTION (包裝作業圖示及說明)

REMARK (備註)



Inner Box: 437(mm)X82(mm)X77(mm)



Packing:
10 Pcs/ Tube
400 Tube/ Inner Box
6 Inner Box/ Carton
2400 Pcs/ Carton

Carton
N.W.= 5.6 Kg
G.W.= 11.7 Kg

Drawn By: Doris 08/27'18